

i-vac[®] 6
Vacuum cleaner

User manual



i-team Professional b.v.

Hopenkuil 27b, 5626 DD Eindhoven, The Netherlands

T +31402662400

E hello@i-teamglobal.com

I www.i-teamglobal.com





Original user manual, written in the English Language
Future Cleaning Technologies B.V.
Hoppenkuil 27b, 5626 DD Eindhoven, The Netherlands

T +31402662400

E info@i-teamglobal.com
I www.i-teamglobal.com

Model: I-VAC HI_FILTRATION 6.0 VERSION
Product code: C06. I-V. XXXXS

Date: 16/03/2020
Version: v.1.0



Preface

Thank you for purchasing the i-vac® 6 vacuum cleaner. The i-vac® 6 has been developed using the feedback from users with years of experience, as a result the i-vac® 6 has some clever innovations. The body for example, is made from durable and impact resistant material, and parts can easily be replaced, its extended lifetime making it greener than other vacuum cleaners. The cassette filter prevents tiny harmful particles like dust, bacteria and dust mites from being reintroduced back into the environment, resulting in cleaner and improved air quality. To prevent overheating a thermo sensor is added to automatically cut off the power supply. i-team Professional has developed the Whizzo which makes a whistling sound when a blockage occurs and the pressure inside the i-vac® 6 gets too high. During office hours you can lower the sound level of the i-vac® 6 by running it in "LOW" power mode. The flat nose tool, with its low profile is designed to adjust on different surfaces and can reach underneath most difficult areas. Finally, the i-vac® 6 has a fragrance cassette to disperse fresh air during operation.

The i-vac® 6 is easy to use when you follow the instructions. Please read the user manual carefully. Become familiar with the correct operation and maintenance procedures. Store the manual in a safe place. The manual is an essential part of the i-vac® 6 and must be handed over to the new owner upon resale or exchange. Each i-vac® 6 has a unique identification number that can be found underneath the can. Your i-team partner needs this number when you order parts.

When this manual refers to "the manufacturer" this means: Future Cleaning Technologies B.V., an affiliate company of i-team in Eindhoven, the Netherlands. When this manual mentions "partner" your local i-team resell and support service partner is referred to.

Purpose of the user manual

The purpose of the user manual is to provide the user with information during the life of the i-vac® 6 in such a way that the i-vac® 6 is used correctly, efficiently and safely, even in the event of reasonably foreseeable misuse.

The user manual contains instructions regarding:

- personal operator safety;
- intended and non-intended use of the i-vac® 6;
- instructions for daily use;
- maintenance instructions;
- storage conditions;
- disposal of the i-vac® 6.

These instructions must be considered to avoid risks that could lead to physical and/or material damage.

Target audience

This user manual is intended for operators of the i-vac 6® and their supervisors, as well as partners and importers.






Operators of the i-vac[®] 6

The i-vac 6[®] may only be operated by a person that:

- has correctly read and understood the instructions in this manual;
- is trained by an experienced operator who has read and understood the instructions in this manual.

Reading guide

The following symbols and terms are used throughout this manual to alert the reader to safety issues and important information:

Symbol	Term	Explanation
	WARNING	Indicates a hazardous situation which, if the safety instructions are not followed, can lead to injuries of the operator or bystanders, light and/or moderate damage to the product or the environment.
	CAUTION	Indicates a hazardous situation which, if the safety instructions are not followed, can lead to light and/or moderate damage to the product or the environment.
	ATTENTION	Indicates a liability situation, where the manufacturer or its partners and affiliates cannot be held accountable for damages caused by non-compliance.



Content

Preface	3
Purpose of the user manual	3
Target audience	3
Operators of the i-vac® 6.....	4
Reading guide.....	4
1 Introduction.....	7
1.1 Intended use of the product.....	7
1.2 Non-intended use of the product.....	8
1.3 Lifespan.....	8
1.4 Modifications.....	9
1.5 Specifications.....	9
1.6 Warranty.....	10
1.7 Identification	10
2 Description	11
3 Safety.....	12
3.1 General Safety Instructions	12
3.2 Safety during operation	12
3.3 Risks during operation.....	13
4 Transport and storage	13
5 Assembly and installation.....	14
5.1 Unboxing.....	14
5.2 Assembly.....	15
5.3 Replacing the dust bag	16
6 Operation	20
6.1 Before you start	20
6.2 Start	21
6.2.1 Adjust speed.....	22
6.2.2 Height adjustment.....	22
6.2.3 Working on stairs or uneven surfaces.....	22
6.2.4 Check the dust bag.....	22
6.2.5 After operation.....	23
7 Maintenance	24
7.1 Cleaning	24
7.1.1 Clean the machine.....	24
7.1.2 Clean the hose and wand	24



7.2	Replacing the filters and the fragrance tablet	25
7.2.1	Replacing the cassette filter	25
7.2.2	Replacing the motor filter	26
7.2.3	Replacing the silencer on top of the motor	27
7.2.4	Replacing the fragrance tablet	28
7.3	Tool condition	28
7.4	Damaged or worn parts	28
7.5	Maintenance frequency	28
7.6	Storage	28
8	Trouble shooting	29
9	Decommissioning and disposal	30
10	Attachments	31
10.1	CE Certificate	31



1 Introduction

The i-vac 6® is an easy and safe machine to use. It is equipped with several different accessories for vacuuming different surfaces and safety equipment like the Whizzo. This manual helps you get started and explains the operation and maintenance procedure.

This manual is intended for those who work with the i-vac 6® and perform daily maintenance (see also "Target Audience"). The manual must be read in full before the first actions. This manual describes the correct method of use, safety measures, maintenance and transport. And finally, the manual contains information about the accessories: the tools and brush.

i-team Professional continuously improves all their products based on user experience and feedback. Any deviations between the texts and/or images from the manual and your i-vac 6® can therefore arise from the difference in model or from possible changes due to continuous development and innovation.

1.1 Intended use of the product

The i-vac 6® is intended for indoor use for the collection of **dry** materials only.

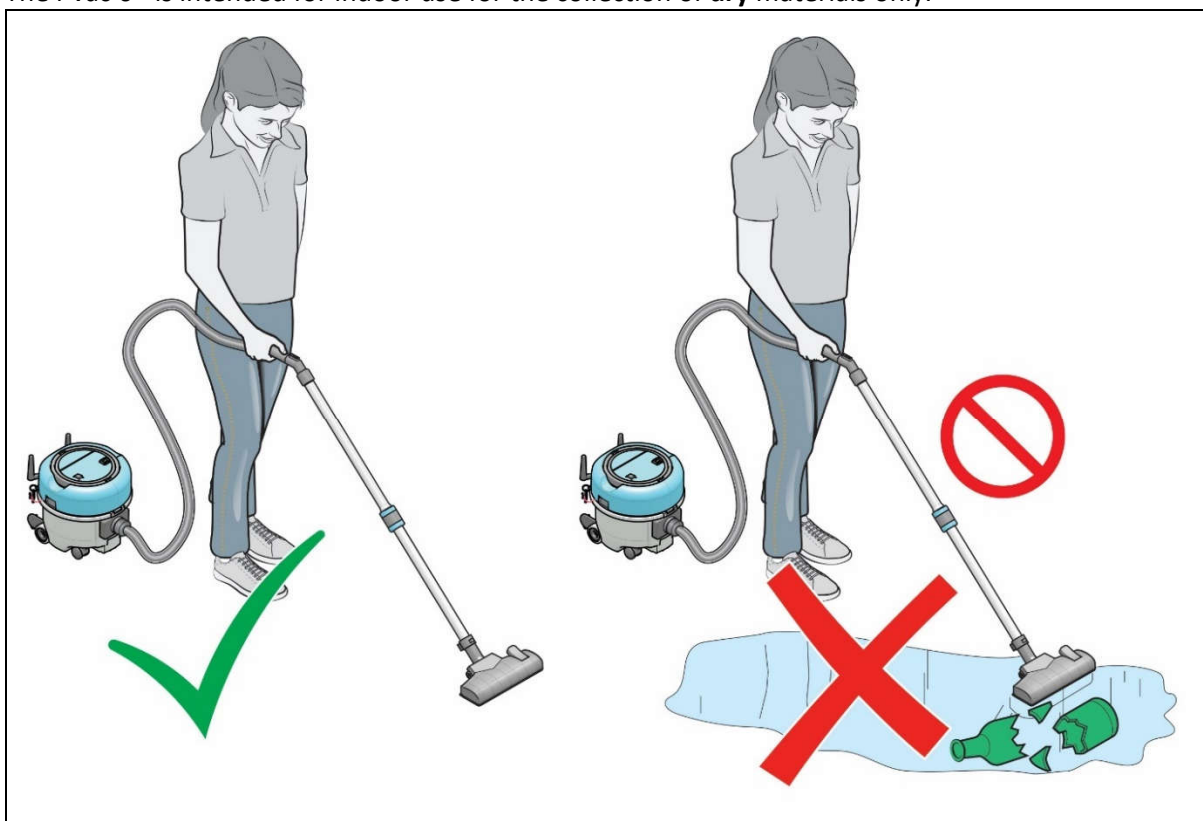


Figure 1

The i-vac 6® is suitable for commercial use. For example: in hotels, schools, hospitals, factories, shops and offices.

In order to use the i-vac 6® on different types of surfaces, four tools are provided. These tools are easy to replace. Select the right tool for each job, see Figure 2.

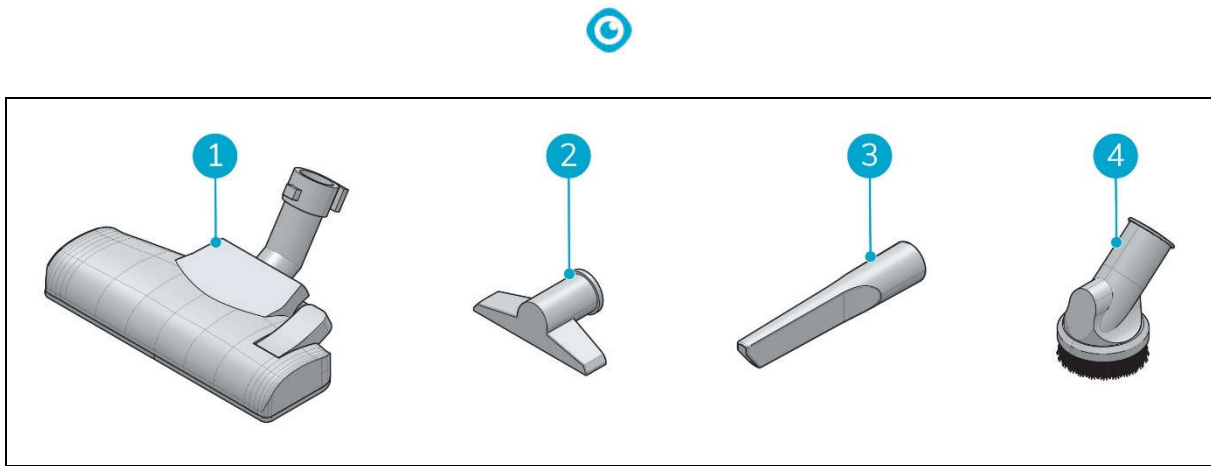


Figure 2

1. Floor tool.
2. Upholstery tool.
3. Crevice tool.
4. Round brush.

Check the filters, dust bag, main power cable and hose regularly for pollution or damage. Replace damaged parts. For more information on how to order i-vac 6® parts, please see section 7.4.

ONLY USE original i-team Professional parts! i-team Professional does NOT give warranty in case non original parts are used. This is especially important in case of the dust bag as this has a fleece lining which prevents the filter from becoming wet when you vacuum an absorbent doormat.

Make sure that the i-vac 6® is maintained as described in section 7 Maintenance. Not following the recommended maintenance may lead to hazardous situations and i-team Professional may NOT give warranty.

Keep the i-vac 6® and the accessories clean.

1.2 Non-intended use of the product



WARNING

Non-intended use can have consequences for the safety of operators and bystanders and will void the warranty on the product.

The i-vac 6® is not intended to clean anything else than dry materials.

The i-vac 6® is not suitable for the collection of:

- wet materials or water;
- hot ashes or lighted cigarette ends;
- hazardous or explosive substances;
- biological hazards;
- particulate matter.

1.3 Lifespan

For a proper functioning and a long lifespan of the i-vac 6®, it is important to follow the recommended maintenance intervals mentioned in this manual.



1.4 Modifications

It is not permitted to make modifications to the design of the i-vac 6® without consultation and permission from the manufacturer. This affects the warranty, see section 1.6.

1.5 Specifications

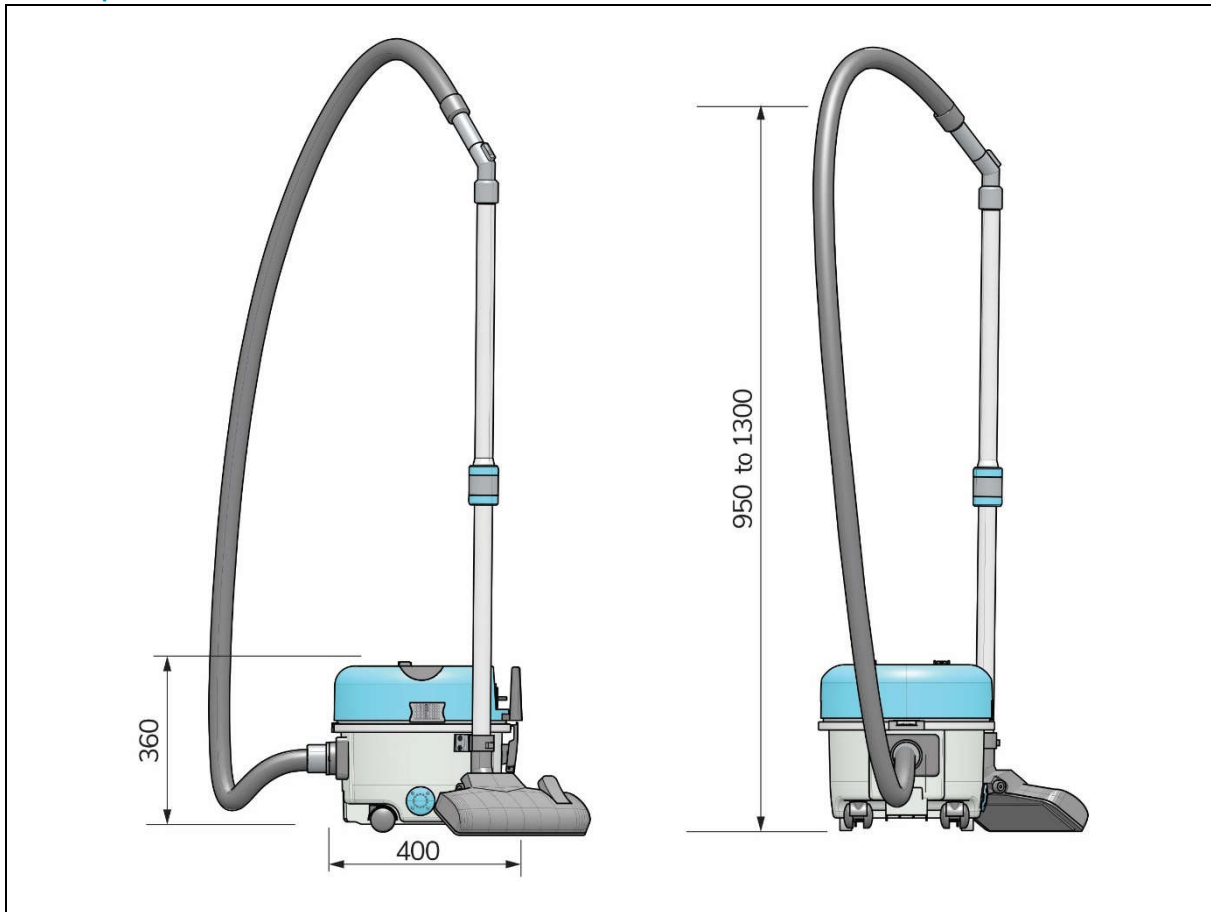


Figure 3

Product size (body unit):	400*380*360 mm
Diameter accessories	32 mm
Cable length:	1500 cm
Hose length:	250 cm
Weight:	6.8 kg
Weight with cable:	7.8 kg
Net weight incl. packaging	10.8 kg
Capacity (filter bag):	6 L
Voltage:	230-240 V
Power (motor):	850/1100 W
Water lift/suction:	2200 mm
Air flow:	29 L/sec 52 L/sec
Sound Level:	58 dB 62 dB
Wet/dry	Dry
Detachable main power cable	Yes
Material	PP



1.6 Warranty

The i-vac 6® should only be operated with the materials supplied. Using alternative supplies may cause damage to the i-vac 6® and may cause a risk to the operator. The use of alternative supplies voids manufacturer's warranty. The warranty period is 1 year.

1.7 Identification

Each i-vac 6® has a unique serial number (see figure 4) that can be found underneath the can. Your i-team partner needs this number when you order parts.

Explanation type plate:



Product type: i-vac 6®
Production code: C06.I-V.XXXXX
Model: C06
Serial number:

Distributor: i-team Professional

Figure 4



2 Description

The body of the i-vac 6® is made of non-breakable material and the hose has an extra strong middle section for high endurance. The length of the wand is easy adjustable and can be combined with 4 different tools to use the i-vac 6® on different surfaces.

The i-vac 6® consists of:

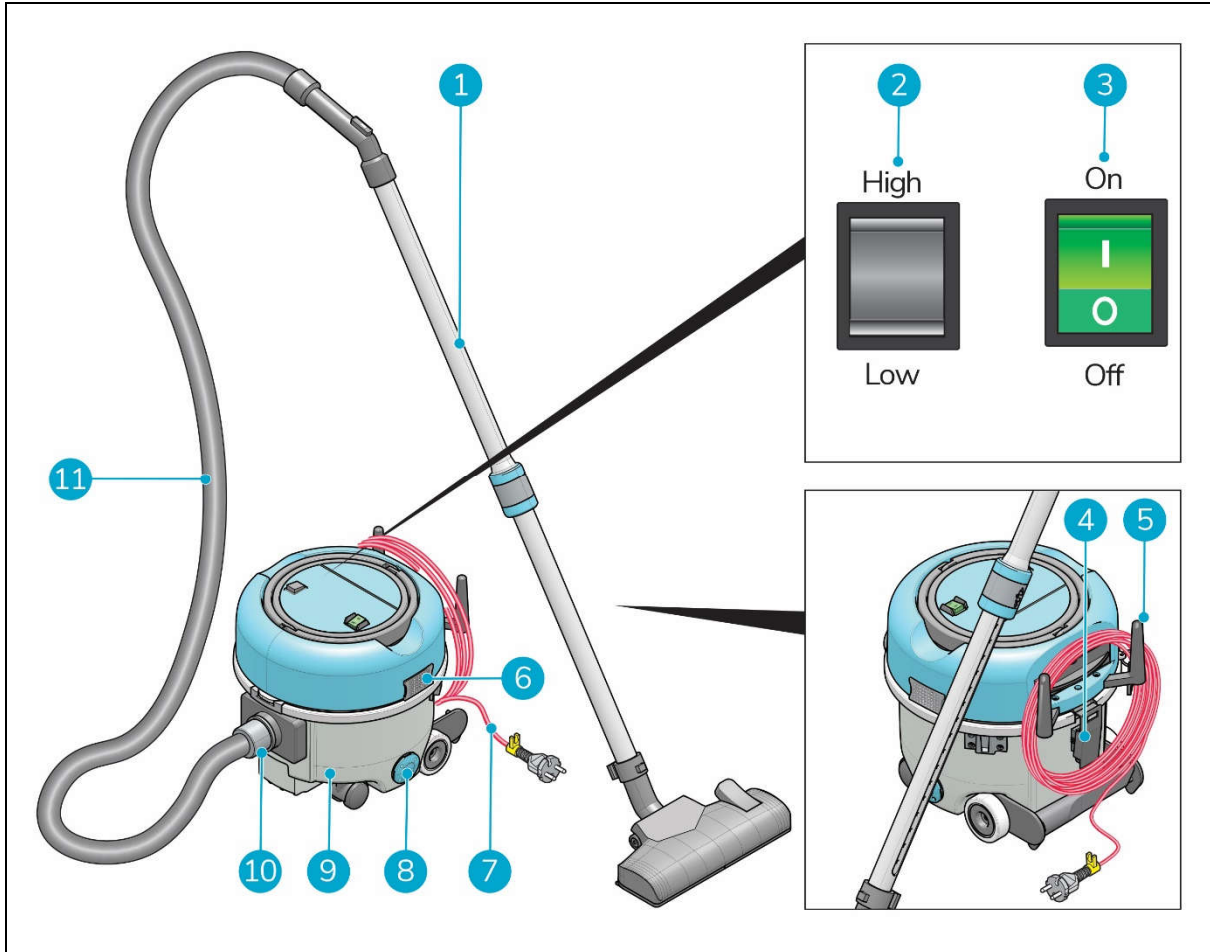


Figure 5

Legend

- | | |
|--|--------------------------------------|
| 1. The wand. | 7. The main power cable. |
| 2. The high/low switch. | 8. The Whizzo warning signal system. |
| 3. The main ON/OFF switch. | 9. The can. |
| 4. The latch to open the can. | 10. The hose connector. |
| 5. The main power cable storage bracket. | 11. The hose. |
| 6. The fragrance tablet holder. | |



3 Safety

Safety comes first, therefore please take time to read and understand these safety instructions. Improper use can cause harm or void the manufacturer's warranty.

3.1 General Safety Instructions



WARNING

DO NOT operate the i-vac 6® without a filter dust bag.

- Make sure that the main power cable is fully unwound before using the i-vac 6®.
- Remove small object such as paper clips and pins from the floor before using the i vac® 6. They might damage the unit.

3.2 Safety during operation



WARNING

STOP OPERATION IMMEDIATELY if the i-vac 6® does not perform properly or makes unusual noise. Service the i-vac 6® before you continue the operation.



WARNING

DO NOT use the i-vac 6® on damp or wet surfaces. This will cause damage to the i-vac 6® and is dangerous to the user. The damage caused by the use on a wet surface is not covered under the warranty.



WARNING

DO NOT run the i-vac 6® over the main power cable.

- Be careful when vacuuming over area rug edges and fringe.
- In case you hear a whistling noise, coming from the Whizzo, please see section 8 "Trouble shooting".
- Do not remove the power plug from the socket by pulling at the main power cable.



3.3 Risks during operation

When you vacuum on stairs or on an uneven surface, place the i-vac 6® on the two brackets for the cable storage. This way the i-vac 6® cannot roll or slide away (figure 6).

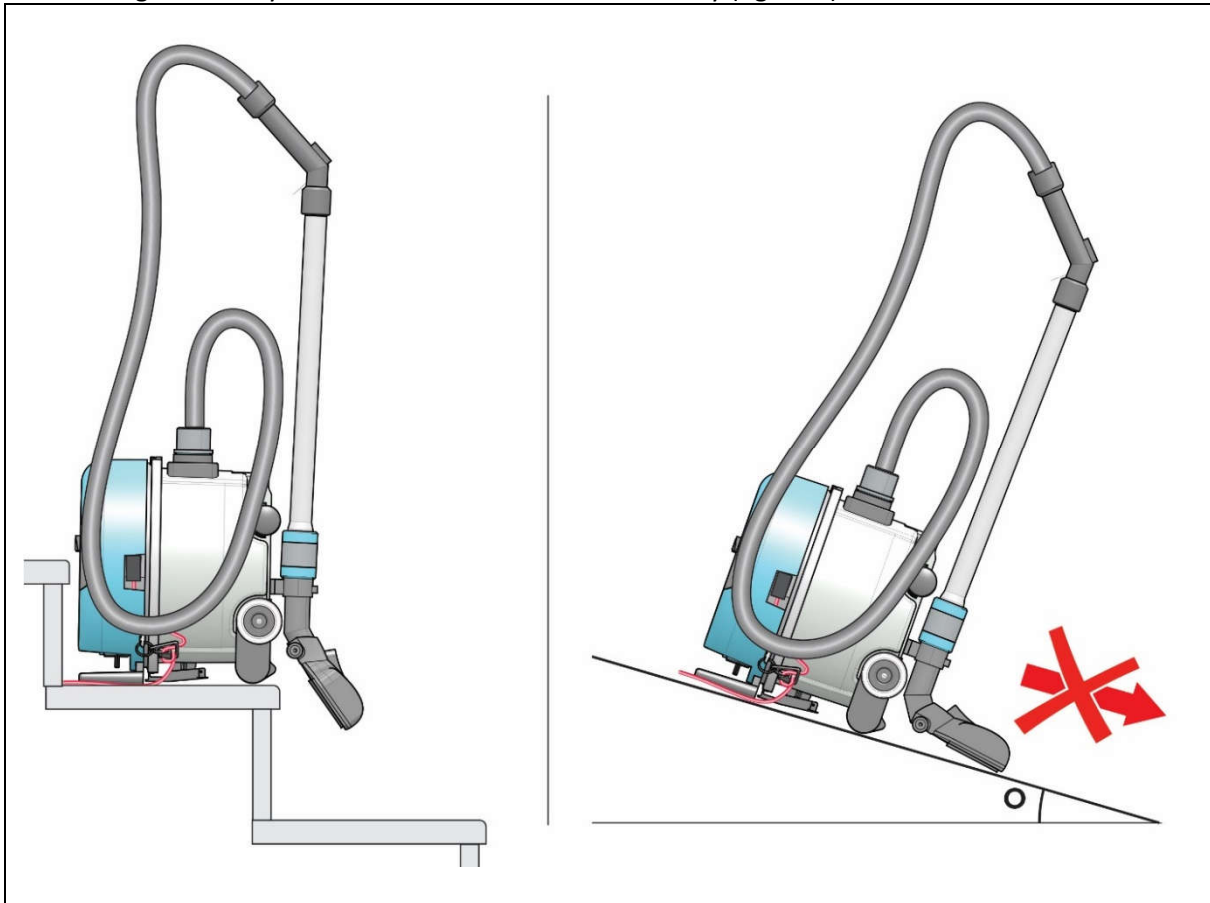


Figure 6

4 Transport and storage

- **DO NOT** store the i-vac 6® outside.
- Store the i-vac 6® in a dry place.



5 Assembly and installation

The i-vac 6® is easy to assemble. The machine comes with 3 additional tools for vacuuming different surfaces.

5.1 Unboxing

The i-vac 6® and all the components and accessories are packed in 1 box.

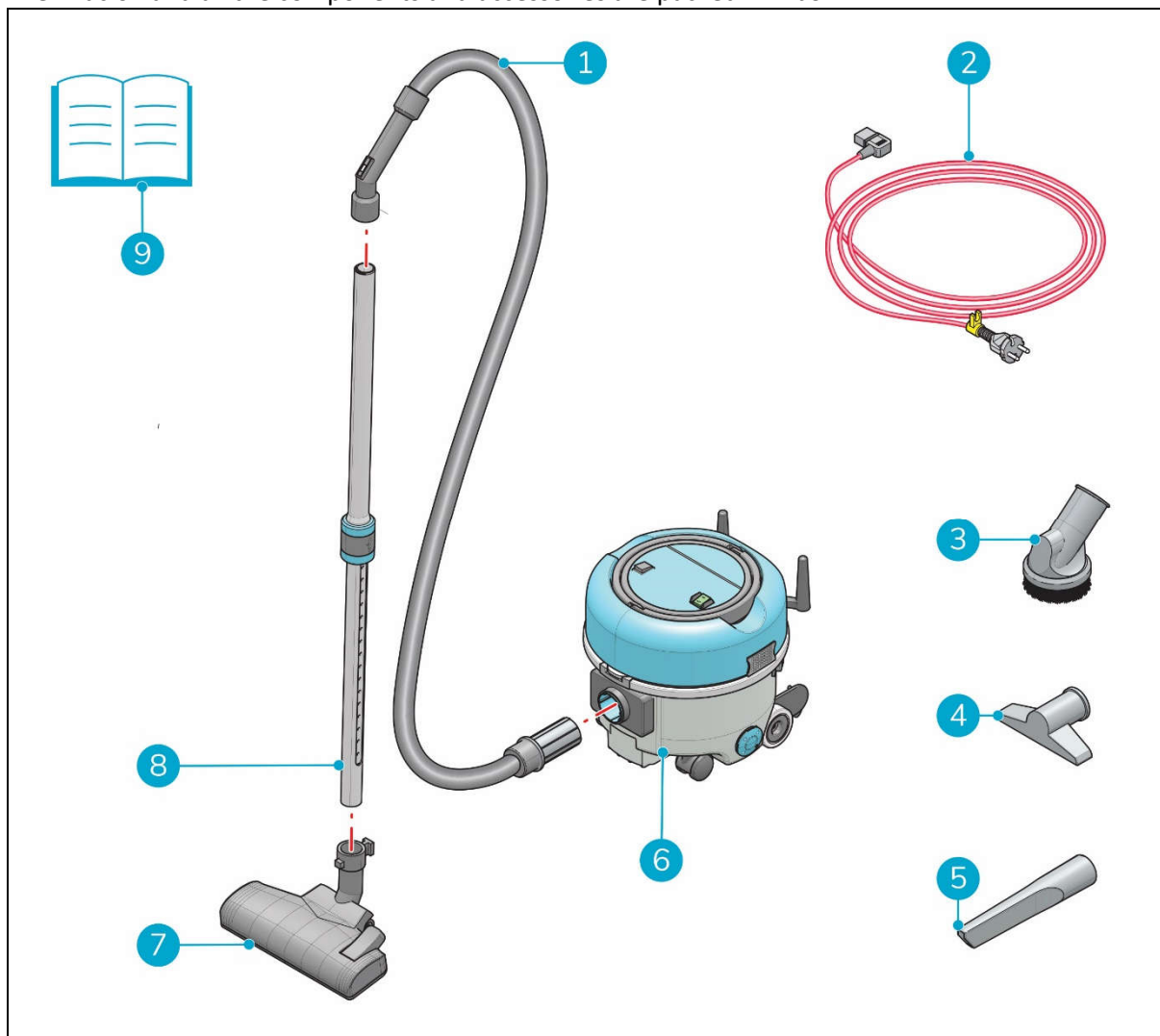


Figure 7

Legend

- | | | | |
|----|---------------------|----|------------------|
| 1. | 1x hose | 6. | 1x i-vac 6® can |
| 2. | 1x main power cable | 7. | 1x floor tool |
| 3. | 1x Round brush | 8. | 1x wand |
| 4. | 1x Upholstery tool | 9. | This User Manual |
| 5. | 1x Crevice tool | | |



5.2 Assembly

1. Place the main power cable in the cable strain relief (fig 8, pos 2), at a cable length of approximately 10 to 12 centimeters from the machine.
2. Place the main power cable plug (fig 8, pos 3) into the slot.
3. Insert the hose (fig 8, pos 1) into the hose connector (fig 8, pos 5).
4. Turn the hose clockwise to lock it into place.
5. Insert the hose into the wand (fig 8, pos 6).
6. Attach the desired tool (fig 8, pos 4) on wide end of the wand.

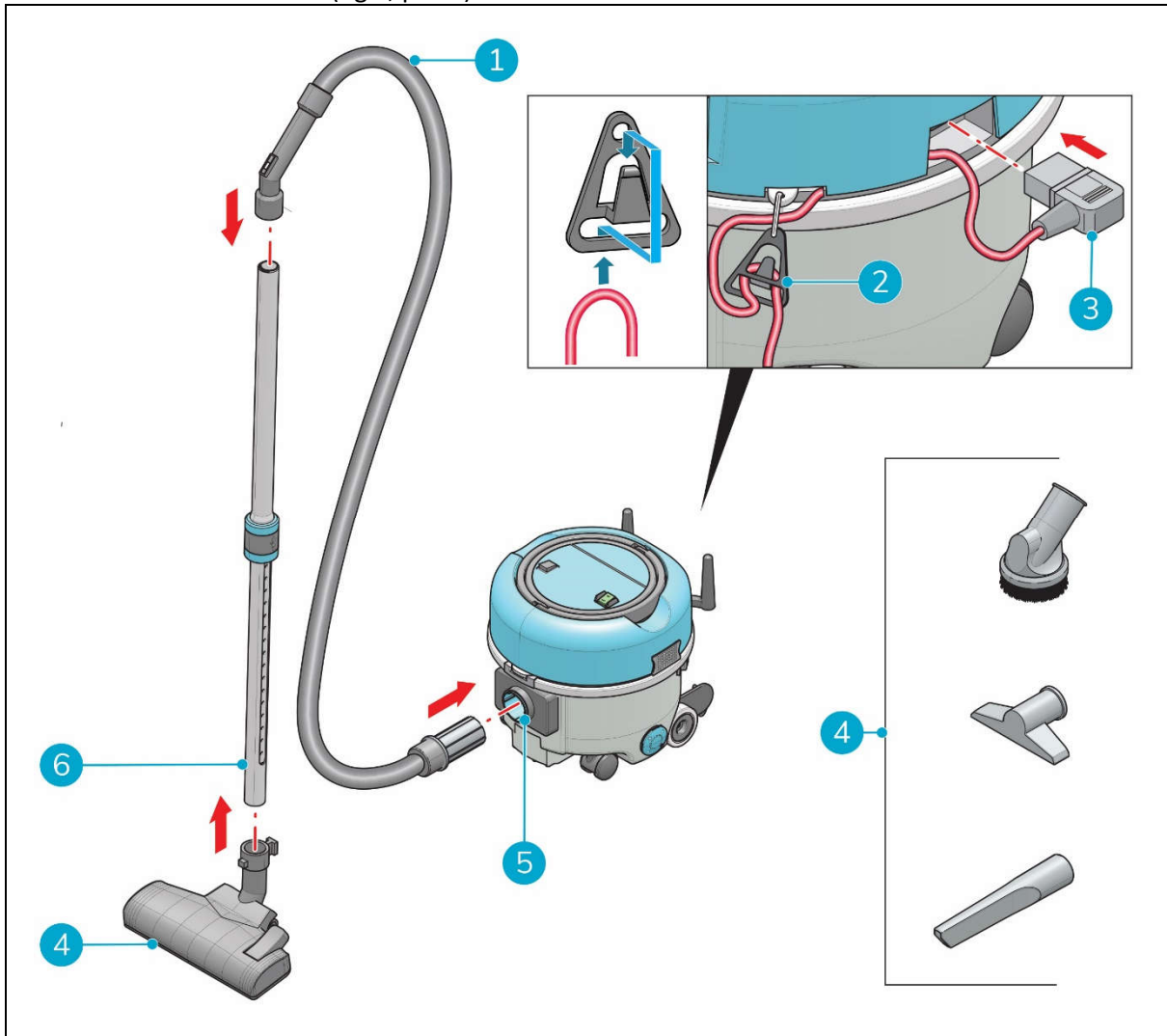


Figure 8



5.3 Replacing the dust bag

- Unplug the main power cable before replacing the dust bag.
- Only use original i-team dust bags.
- **Make sure that the hose is removed from the i-vac 6® before removing the dust bag.** This may cause damage to the dust bag and is potentially bad for your health as a result of dust.

1. Turn off the i vac® 6 with the main power switch (fig 9, pos 1).
2. Release the latch (fig 9, pos 3).
3. Lift the head (fig 9, pos 2) under the grey rim, on the side of the latch.

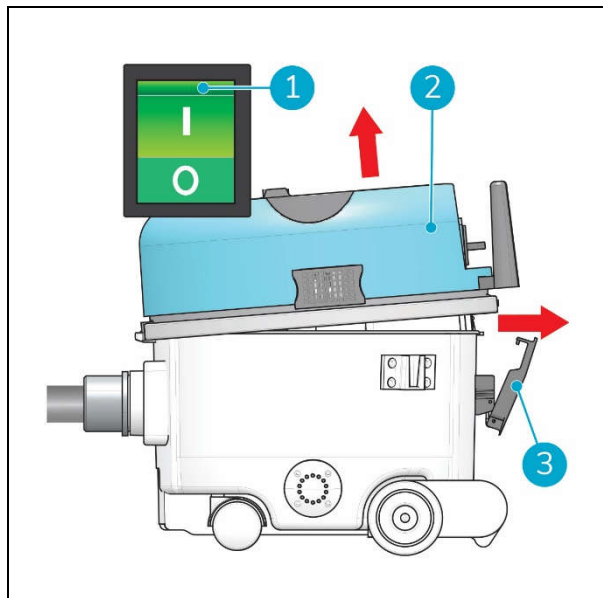


Figure 9

4. Pull the head (fig 10, pos 1) towards the side of the hose entrance and lift it up.

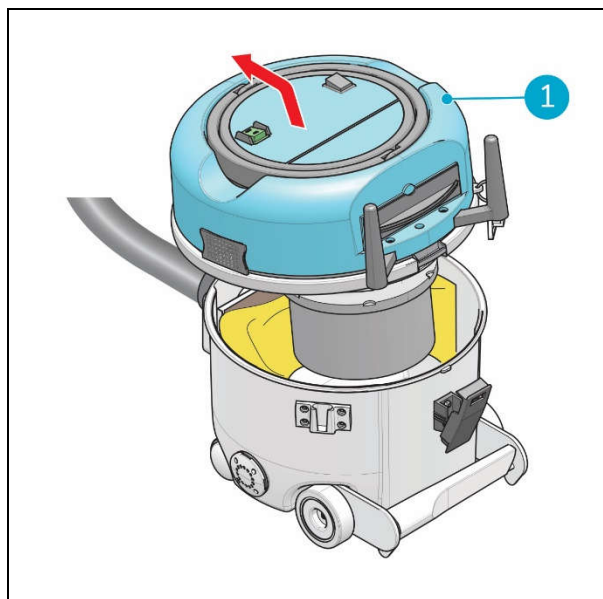


Figure 10



5. Place the head upside down, on an even surface (fig 11, pos 1).

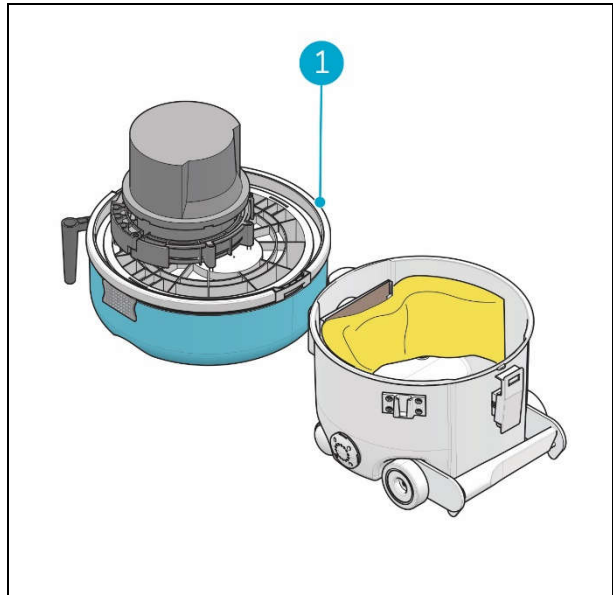


Figure 11

6. Turn the hose (fig 12, pos 4) anti clockwise and remove it from the hose connector.
7. Pull the cardboard tag (fig 12, pos 1) to seal the dust bag.
8. Fold the ends of the dust bag (fig 12, pos 2) towards each other.
9. Remove the old dust bag (fig 12, pos 3).

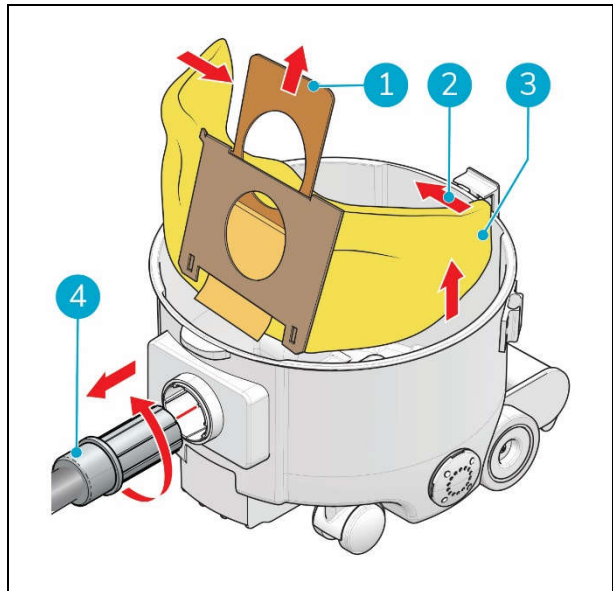


Figure 12



10. Slide the cardboard collar of the new filter bag (fig 13, pos 3) into the slots to fully insert the dust bag.
11. Push the cardboard tag (fig 13, pos 1) down to open the bag.
12. Unfold the dust bag (fig 13, pos 2).

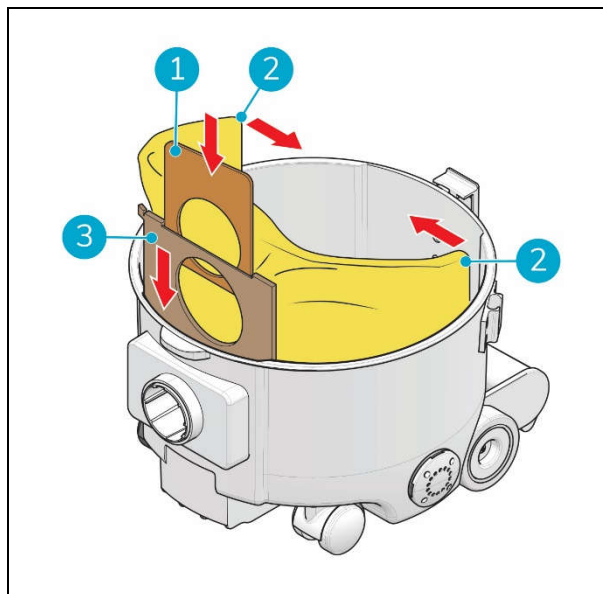


Figure 13

13. Place the hose (fig 14, pos 1) into the hose connector, turn it clockwise to lock it.

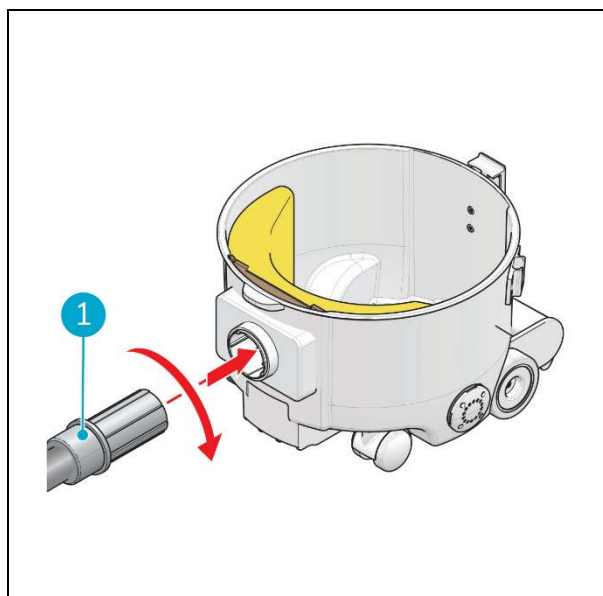


Figure 14



14. Place the head (fig 15, pos 1) onto the can.

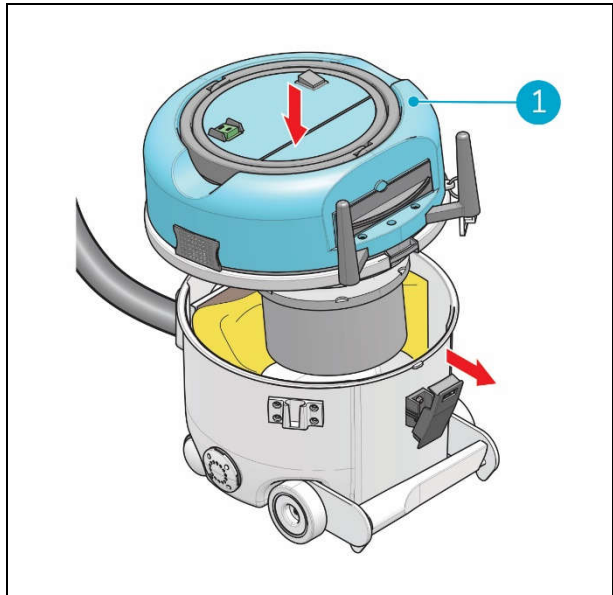


Figure 15

14. Make sure that the opening in the head fits around the neck on the can (fig 16, pos 1).

15. Fasten the latch (fig 16, pos 2).

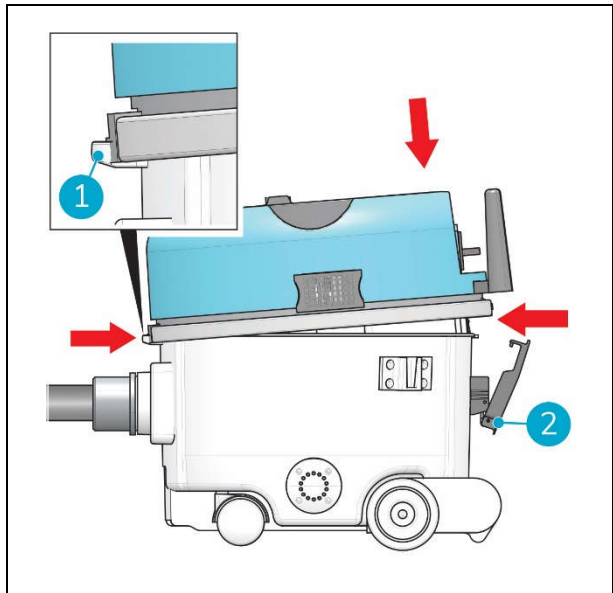


Figure 16



ATTENTION

Make sure that the head is correctly placed on the can, otherwise it can suck in false air and this affects the performance of the i-vac 6®.



6 Operation

6.1 Before you start

1. Check that the main power cable is placed in the cable strain relief (fig 17, pos 1).
2. Check that the main power cable is not damaged. Pull it through a fiber cloth.
3. Check that the dust bag is placed in the i vac® 6. See also section 5.3.
4. Make sure you have the correct tool for the intended purpose. See also section 1.1., figure 2.
5. Check the brush from the tool for wear and tear. See also section 6.3.4.
6. Check all filters. See also section 7.2.

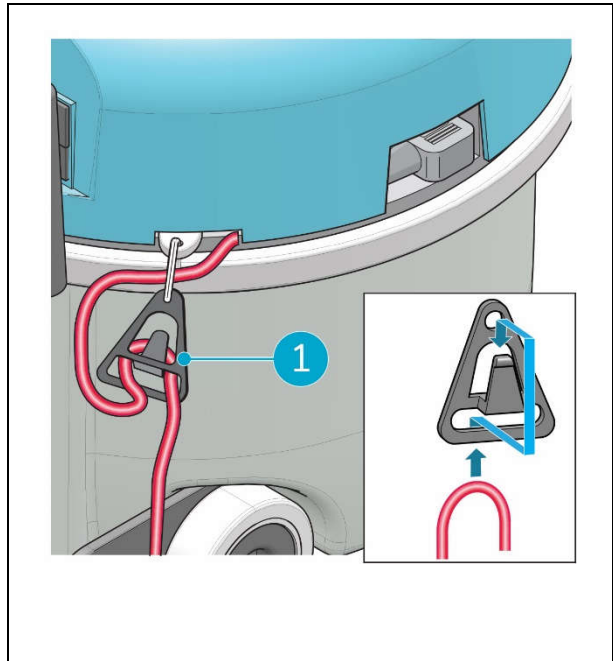


Figure 17



6.2 Start

1. Put the main power cable into the wall socket (fig 18, pos 1), the green light in the ON /OFF switch (fig 18, pos 2), on the head of the can, should go on.
2. Turn on the i-vac 6® by hand using the ON /OFF switch (fig 18, pos 2).
3. Take the wand from the holder (fig 18, pos 3).
4. Start vacuuming.

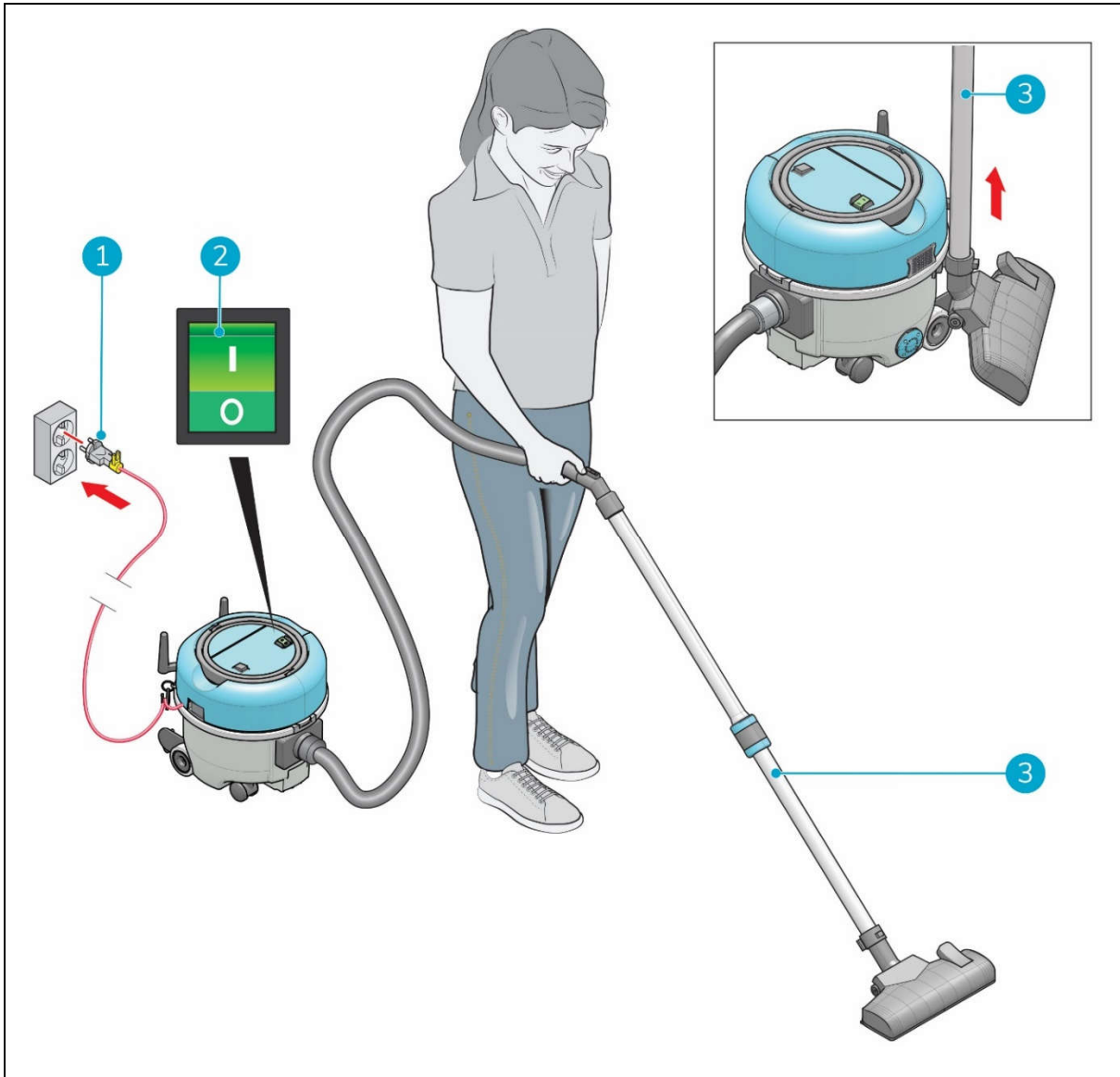


Figure 18



6.2.1 Adjust speed

Press the high/low switch to adjust the speed of the suction motor (fig 19, pos 1).

High: increase the suction power, but also increase the noise level.

Low: reduce the noise level, but also reduces the suction power. This setting is useful for cleaning during office hours.

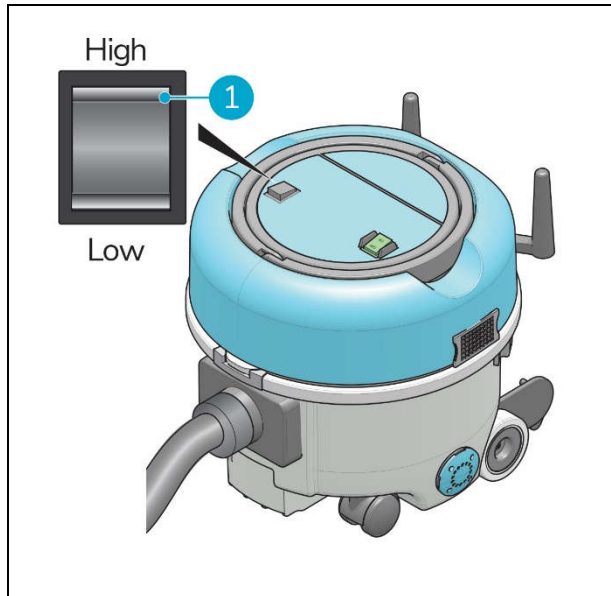


Figure 19

6.2.2 Height adjustment

Pull the knob (fig 20, pos 1) on the wand up to unlock it, adjust the length of the wand and release knob to lock it.

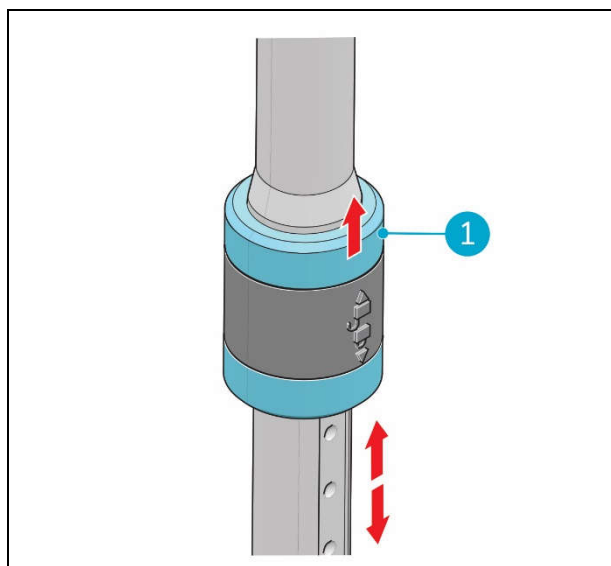


Figure 20

6.2.3 Working on stairs or uneven surfaces

Place the i-vac 6® on the two brackets for the cable storage. The hose can be placed in a special bracket. In this position the i-vac 6® cannot slide away. See section 3.3. figure 6.

6.2.4 Check the dust bag

Check the dust bag at least once per week, in case it looks polluted or clogged, please replace it. See section 5.3.



6.2.5 After operation

1. Press the ON /OFF switch (fig 21, pos 1) on the head of the i-vac 6® to turn it off.
2. Remove the main power cable from the wall socket. (fig 21, pos 2)
3. Wind the main power cable around the two cable storage hooks (fig 21, pos 3) on the side of the can, **starting from the machine side.**

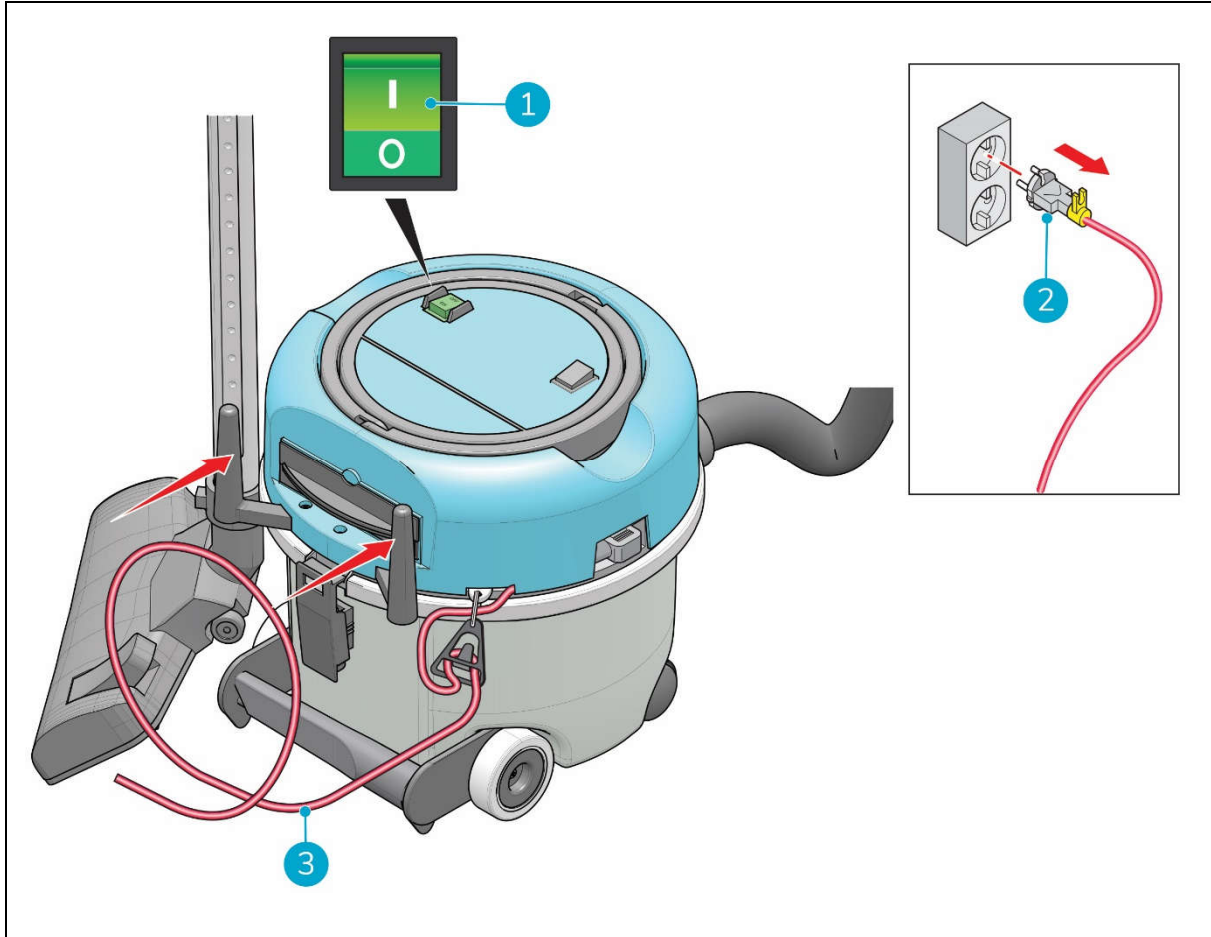


Figure 21



7 Maintenance



WARNING

Before you start maintenance or replacing parts; **Turn off the i-vac 9B® and remove the main power cable** from the wall socket.

The i-vac 6® does not require much maintenance however it is recommended to clean the machine after using it and before storing it.

For a proper functioning and a long lifespan of the i-vac 6®, it is important to follow the recommended maintenance intervals mentioned in this manual. See section 7.5.

Maintenance that is not described in this manual should be done by your i-vac 6® partner. Please make sure to have the model and serial number of the i-vac 6® available when you call a partner. For more information please fill out the contact form on www.i-teamglobal.com.

Maintenance and assembling- disassembling of the i-vac 6® must be done by an adult person.

7.1 Cleaning



WARNING

Do not clean the i-vac 6® with a high pressure cleaner or submerge it in water!

7.1.1 Clean the machine

Clean the exterior of the machine using a damp cloth.

7.1.2 Clean the hose and wand

Keep the hose and tube clear. Remove objects that cause a blockage by beating it gently with your hand.



WARNING

Do not use a sharp object to clean the hose or wand!



7.2 Replacing the filters and the fragrance tablet

Check all filters before you start vacuuming. In case they look polluted or clogged, please replace them.

7.2.1 Replacing the cassette filter



CAUTION

When you place the new cassette filter into the can of the i-vac 6®, make sure the arrows on the filter point upwards.

1. Pull out the cassette filter (fig 22, pos 1) from the head of the i-vac 6®.
2. Push the new cassette filter into the head of the i-vac 6®.

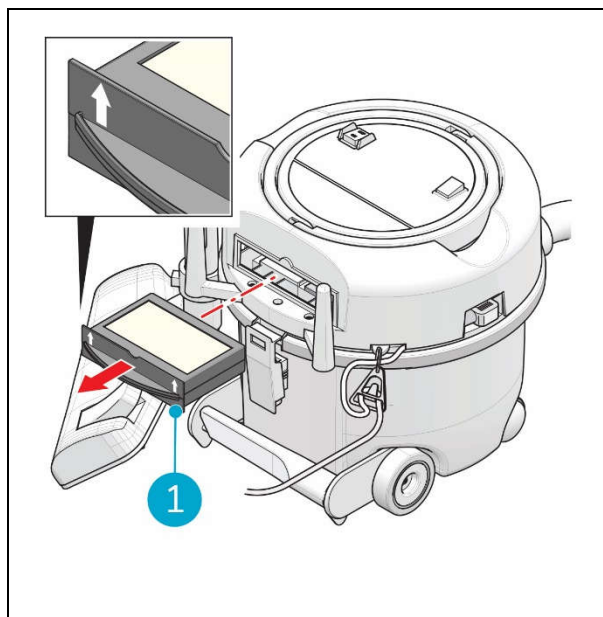


Figure 22

HEPA and ULPA filter types

Your i-vac 6® is equipped with a standard cassette filter, which is perfect for everyday cleaning. Next to the standard cassette filter we have the HEPA and the ULPA filter types.

- the HEPA filter will get rid of pathogens, allergens and particles that cause health issues that are often associated with asthma;
- the ULPA filters are used in environments where a high standard of clean air should be maintained.

Please contact your local i-team partner for all necessary filter certifications.



7.2.2 Replacing the motor filter

TIP:

The lifespan of the motor filter can be extended to 8 months if it is vacuumed or gently beaten every 2,5 months

1. Release the latches (fig 23, pos 2).
2. Lift the head (fig 23, pos 1) under the grey rim, on the side of the latch.
3. Pull the head towards the side of the hose entrance and lift it up (fig 23, pos 3).
4. Place the head upside down, on an even surface.
5. Lift the old motor filter (fig 23, pos 5) up to remove it.

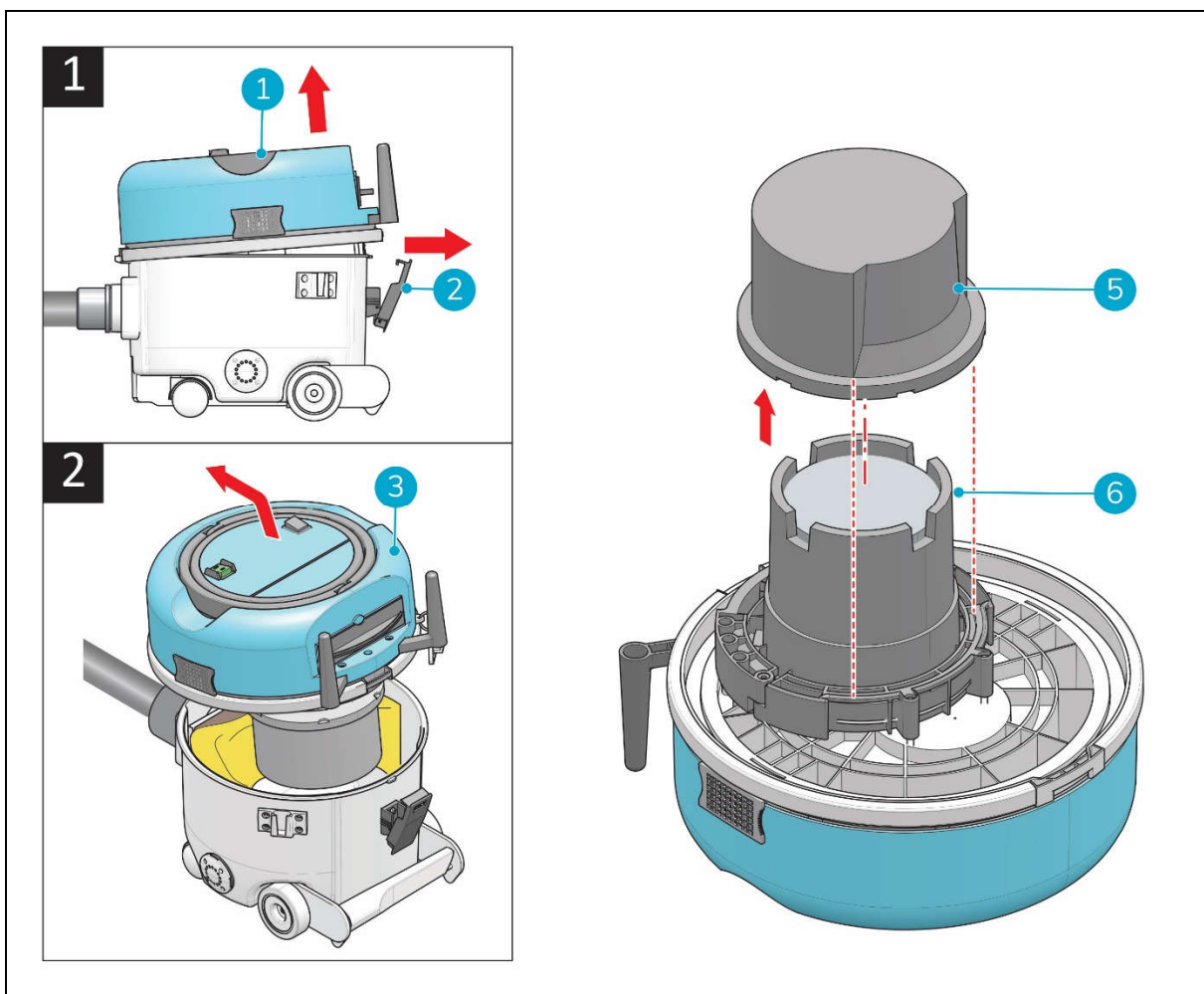


Figure 23

6. Place the new motor filter. Align the cut-out of the filter with cut-out on the top of the motor (fig 23, pos 6).
7. Push the filter over the motor until it is completely down.
8. Place the head back on the can. First on the side of the hose entrance. Make sure that the opening on the head sits around the lip of the can.
9. Fasten the latch.



7.2.3 Replacing the silencer on top of the motor

1. Release the latch (fig 23, pos 2).
2. Lift the head (fig 23, pos 1) under the grey rim, on the side of the latch.
3. Pull the head towards the side of the hose entrance and lift it up (fig 23, pos 3).
4. Place the head upside down, on an even surface.
5. Lift the motor filter (fig 23, pos 5) up to remove it.
6. Take out the old silencer (fig 24, pos 1) from the top of the motor
7. Place the new silencer.
8. Place back the motor filter. Align the cut-outs of the filter with the cut-outs on the head of the i-vac 6® (see fig. 23).
9. Push the filter over the motor until it is completely down.
10. Place the head back on the can. First on the side of the hose entrance. Make sure that the opening on the head sits around the lip of the can.
11. Fasten the latch.

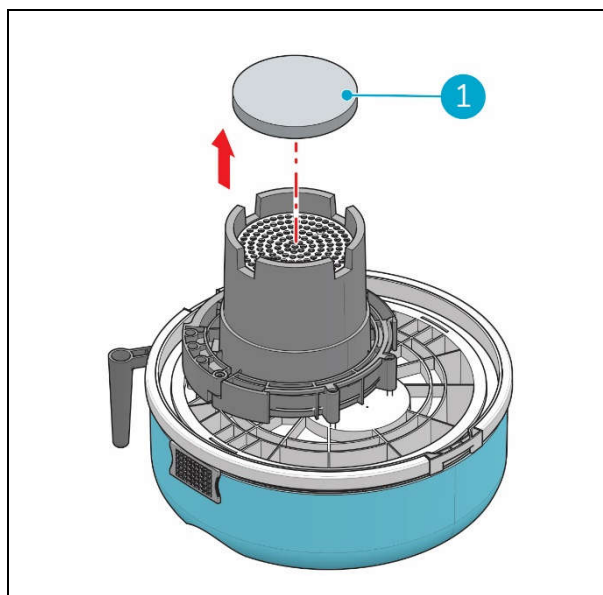


Figure 24



7.2.4 Replacing the fragrance tablet

Replace the fragrance tablet every 3 months.

1. Pull out the tablet holder (fig 25, pos 2) from the head of the i-vac 6®.
2. Take out the old fragrance tablet.
3. Insert the new fragrance tablet (fig 25, pos 1).
4. Push the tablet holder back into the head of the i-vac 6®.

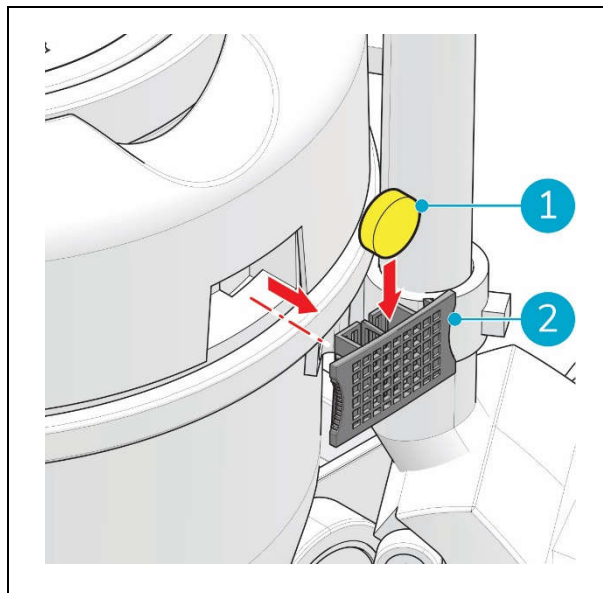


Figure 25

7.3 Tool condition

Make sure to check the condition of the tool before use, change the tool only when the machine is turned off.

7.4 Damaged or worn parts

Damaged or worn parts need to be replaced immediately. Contact your local i-team Professional partner or visit www.i-teamglobal.com for more information.

7.5 Maintenance frequency

Make sure that routine and preventive maintenance is carried out periodically to ensure safe operation. Failure to carry out maintenance as necessary may cause damage to the i-vac® 6 and may cause a risk to the operator.

In case of daily use, depending on the intensity of usage and the type of pollution, we advice to replace all filters from the i-vac® 6 every 6 months.

Check all filters each time before starting to vacuum.

Replace the fragrance tablet every 3 months.

7.6 Storage

- Store the i-vac® 6 indoors.
- Store the i-vac® 6 either on its wheels or, to save space, store it on it the two brackets for the cable storage. In both positions the tool can be placed in a special bracket.



8 Trouble shooting

Problem	Cause	Solution
No power/ green light in ONN/OFF switch does not burn	Main power cable broken	Replace main power cable.
	Main power cable not plugged in	Plug in main power cable.
	No electricity in wall socket	Check wall socket.
	Main power switch off	Turn on power switch.
Whizzo makes whistling noise	Filter bag full	Turn off the i-vac® 6 and replace filter bag.
	Hose blocked	Turn off the i-vac® 6 and remove blockage.
	Wand blocked	Turn off the i-vac® 6 and remove blockage.
	Tool blocked	Turn off the i-vac® 6 and remove blockage.
i-vac® 6 stops working	Motor overheated, a thermal switch stopped the motor	Let the i-vac® 6 cool down. Check the filters, dust bag and hose: see 6.3.2. and 6.3.3. Wait approximately 30 minutes. Start the i-vac® 6 by pushing the "ON" button.
Little suction power	Filter bag full	Turn off the i-vac® 6 and replace filter bag.
	Hose or not well attached	Turn off the i-vac® 6 and reconnect hose.
	Head not well placed on can	Turn off the i-vac® 6 and replace the head on the can.
	Filters are full	Replace filters.
i-vac® 6 makes strange sound	Motor is broken	Change motor.
	Carbon brushes are worn	Change motor.
i-vac® 6 smells strange	Filters are full	Replace filters.



9 Decommissioning and disposal



ATTENTION

It is the responsibility of the i-vac® 6 owner to dispose of the product responsibly.

At the end-of-life the i-vac® 6 still contains valuable resources and needs to be disposed of according to your local laws and regulations regarding recycling of electrical equipment.

Before disposal please:



1. Remove all loose components like the tools, hose and wand.
2. Dispose all items according to your local laws and regulations.

TIP:

Contact you local i-team partner to explore all possibilities of returning components at the end-of-life of your i-vac® 6.



10 Attachments

10.1 CE Certificate



EG/EC DECLARATION OF CONFORMITY

We: Future Cleaning Technologies B.V., Hoppenkuil 27b, 5626 DD Eindhoven, Nederland

Hereby declare the following equipment:

Product: **Vacuum Cleaner**
Model: **Hi-Filtration 6.0**
Rating: **220-240V 50Hz**
850W
Class II
IPX0

Fulfills all the relevant provisions of European Low Voltage Directive 2006/95/EC and EMC Directive 2004/108/EC. This equipment has been designed and manufactured in accordance with following harmonized European standards:

EN 60355-1:2002 + A11:2004+A1:2004+A12:2006+A2:2006+A13:2008
EN 60335-2-2:2003+A1:2004+A2:2006
EN 60335-2-69:2009
EN 62233:2008
EN 55014-1:2006+A1:2009
EN 61000-3-2:2006+A1:2009+A2:2009
EN 61000-3-3:2008
EN 55014-2:1997+A1:2001+A2:2008

Eindhoven, 11.09.2010

Frank van de Ven
Director

(Place and date of issue)

(Name and signature by authorized person)



This document is part of the technical file of the i-vac® 6 and will be available upon request.