

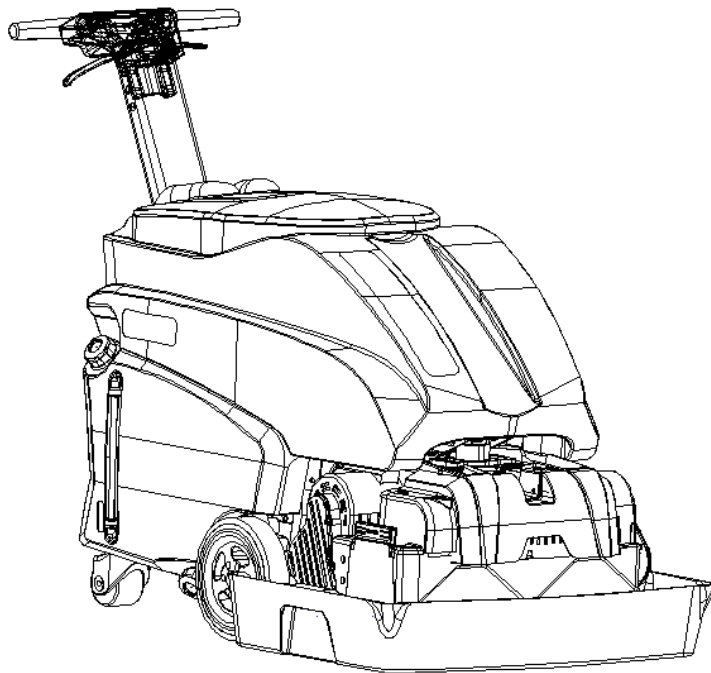


# User manual

**i-escalate 520**

Version 1.0

Dated 08 Oct-2024



**i-team Professional b.v.**

Hoppenkuil 27b, 5626 DD Eindhoven, The Netherlands







Telephone: +31402662400

Email: [hello@i-teamglobal.com](mailto:hello@i-teamglobal.com)

Internet: [www.i-teamglobal.com](http://www.i-teamglobal.com)



The following symbols and terms are used throughout this manual to alert the reader to safety issues and important information:

Symbol	Term	Explanation
	INFORMATION	Read the instructions before using the machine.
	WARNING	Indicates a hazardous situation which, if the safety instructions are not followed, can lead to injuries of the operator or bystanders and light and/or moderate damage to the product or the environment.
	CAUTION	Indicates a hazardous situation which, if the safety instructions are not followed, can lead to light and / or moderate damage to the product or the environment.
	ATTENTION	Indicates a liability situation, where the manufacturer or its partners and affiliates cannot be held accountable for damages caused by non-compliance.
	STRONG MAGNET	Indicates that the machine contains strong magnets. These can cause pacemakers to stop working or cause electronic data to be damaged, such as information stored on access passes.
	PACEMAKER	Indicates that operators and maintenance crew wearing pacemakers should keep a minimal distance of 6 in / 15 cm. In this specific case operators may not use the machine as a backpack.
	BATTERIES	Indicates a battery-operated machine, batteries must be charged according to the instructions in the separate class I battery charger user manual. Batteries must be disposed of according to your local laws and regulations.
	SLIPPERY SURFACE	Indicates that the machine can cause floors to become slippery. In the workplace, it is advised to place slippery surface signs in these areas.

---

### **Packaging Material Disposal:**

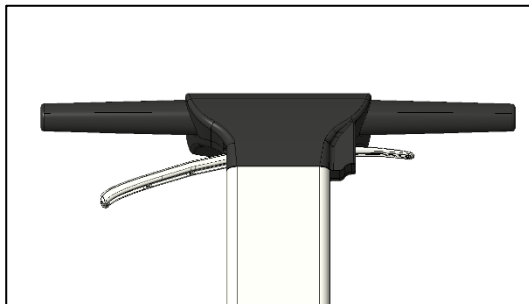
To protect our environment, please follow your local trash disposal rules.

### **Machine Set-up:**

For video: scan QR code to see unbox video.



- Unpack the crate;
- Lift the left-side handle bar to release the brake;
- Move out the machine from the skid.



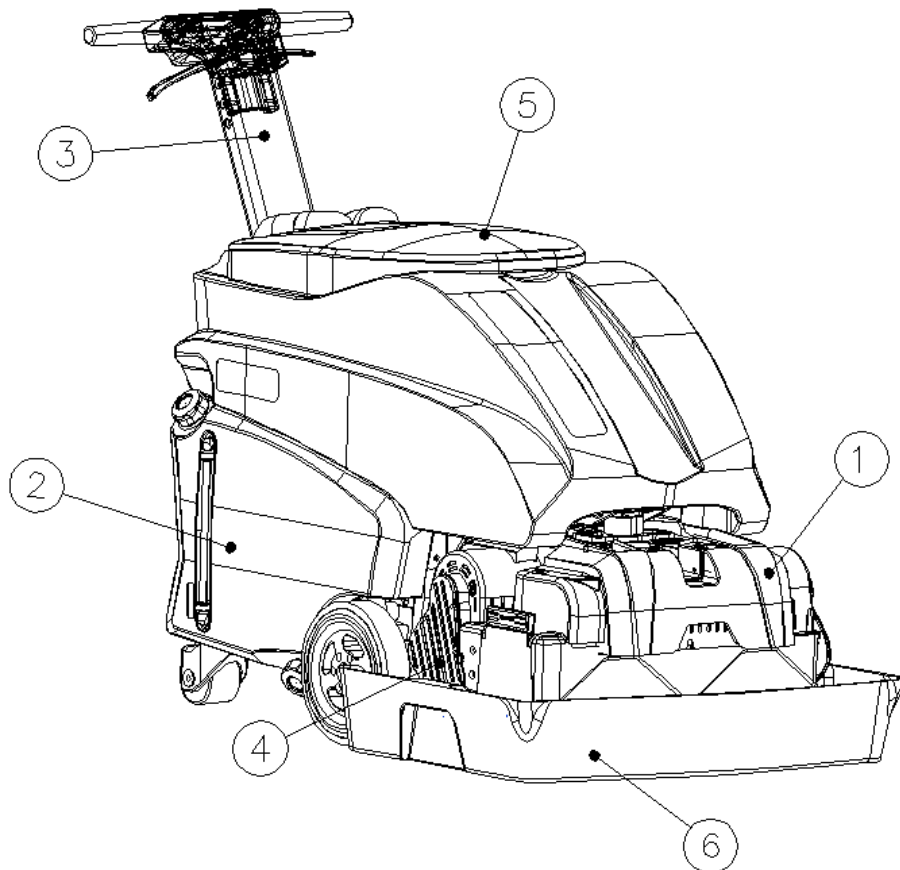
### **How the Machine Works:**

Once the machine enters the cleaning position with power switched on:

- Turn on the start switch in the middle of the control panel which has two options, “Regular” and “Deep Cleaning” , for operators to choose from;
- The Brush Deck starts lowering till the two cylindrical brushes touch the moving treads;
- Turn on the Pump Button to start spraying solution to the treads;
- Solution is recovered through the Vac-shoe in between the two cylindrical brushes.

---

## **Major Components:**



1. Deck: Dual brushes, dual motors, dual gearboxes
2. Solution Tank
3. Handle and Control Panel
4. Gearboxes
5. Recovery Tank
6. On-site brush deck cleaning tray

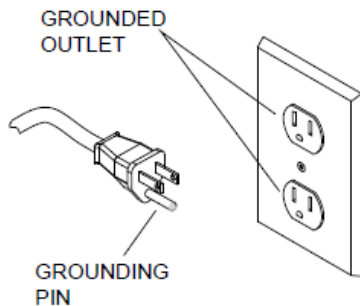
---

## Important Safety Instructions (Must read carefully!):



### Grounding instructions.

This device must be grounded, or it should malfunction or break down. Grounding provides a path of least resistance for electric current to reduce the risk of electric shock. This device is equipped with a cord having an equipment-grounding conductor and grounding plug. The plug must be inserted into an appropriate outlet that is properly installed and grounded in accordance with all local codes and ordinances.



- Before operating the machine, the operator must participate in the proper training program provided by the manufacturer or its local distributors;
- A “Maintenance in Progress” perimeter sign must be set up at both ends of the escalator;
- The operator must know where the **Emergency Stop Button** is located;
- The “Maintenance in Progress” signs must not be removed until the escalator and the entering and exiting areas at the both ends become completely dry.

### Before Operating:

- Fill up the solution tank with clean water mixed with the chemical. The mixing ratio and the type of chemical for the application will be introduced during the training sessions provided by the manufacturer and your local distributors;
- For the best cleaning results and environment protection, please choose only the chemicals from or recommended by the manufacturer or your local distributors;
- Make sure the brushes are securely installed.
- Check the recovery tank and make sure it is empty, clean and the drainage is not clogged;
- The brushes in poor condition have to be replaced or the cleaning effectiveness would be reduced.

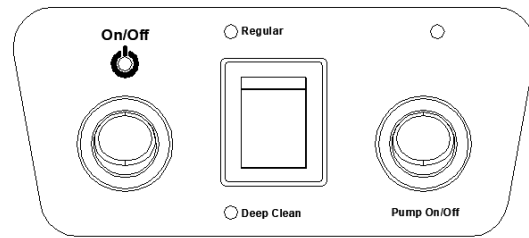
---

**Operating the Machine:  
Control Panel**

**Right:** Power On/Off Switch

**Middle:** Switch for Regular Daily Maintenance and Deep Cleaning

**Left:** Nozzle Spraying On/Off Switch



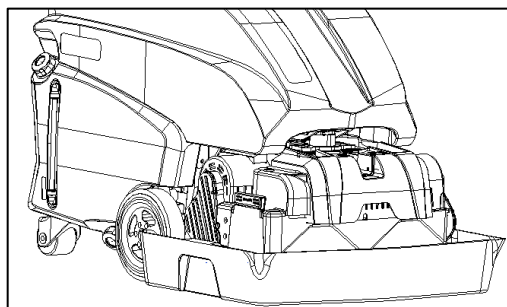
**Cleaning Mode:**

1, Regular Daily Maintenance

2, Deep Cleaning (Recommended for the escalators with dirt and soil built up)

**Operating the Machine:**

- Correctly positioning the machine. It should be as close as possible to the yellow painting at both sides. It's recommended the skirt brushes at both sides of the escalator be temporarily dismantled to maximize machine's the cleaning area.
- The operator must be able to use the brake with some sort of dexterity so the machine can be positioned accurately for the best cleaning result and avoiding the accident of bumping against the steps.
- The machine must be attended all the time while it is in operation.
- The machine must be stopped immediately when any malfunction occurs during the operation.
- In case of cleaning the escalator with heavily built up dirt and soil, it's strongly recommended to clean up the brush deck in every 5 minutes after the machine was being operated to avoid the possible clogging and brush motor overloading.



- When the operator re-fills the solution tank, make sure to empty the recovery tank at the same time.

- Don't operate the machine in any place other than the cleaning position in front of the escalator.

- Thoroughly cleaning up the brush deck, solution/recovery tanks after the operation.

- Turn off all the switches before moving out the machine from its cleaning position.

**Pre-operation Inspection:**

- Inspect the condition of the brushes. Make sure the brushes that are worn down or lost recovery strength are replaced.

- 
- Check the leakages, unusual noise and the proper function of the control panel. Contact your local distributor if any of these are detected.

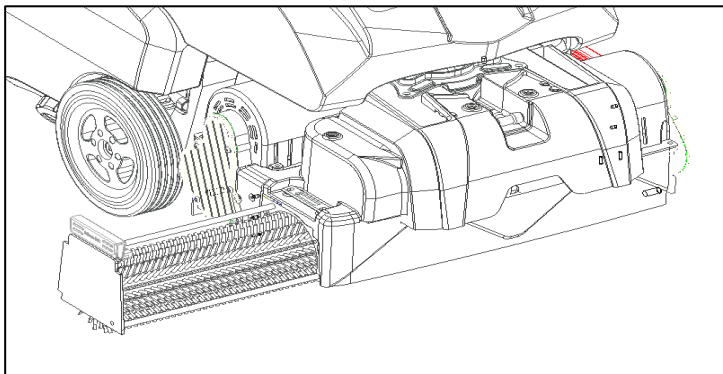
#### **After 100 hours in Service:**

- loose components;
- dirt/soil built up inside the recovery tank;
- dirt/soil built up in the tray underneath the vac-shoe;
- dirt/soil built up inside the brush deck housing;
- clogged hoses;
- necessary brake wire adjustment for the braking effectiveness.

#### **Maintenance:**

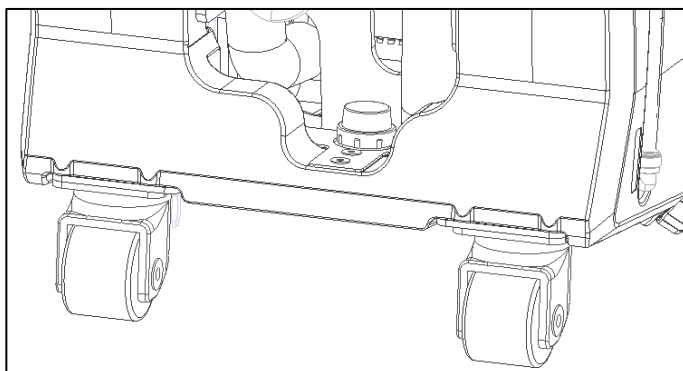
##### **Cleaning up or replacing the brushes**

- lift the yellow colored latch and slide out the brushes for cleaning or replacing;
- Intake slot could be checked at the same time.



##### **Water Filter**

- unscrew the transparent cap, take out the net to clean up the dirt accumulated inside.



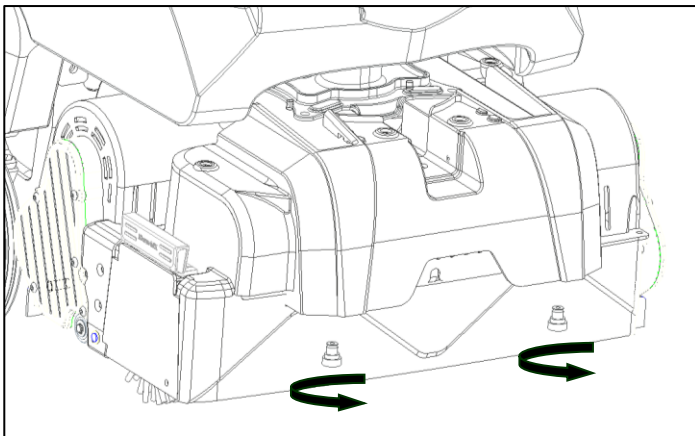
---

## The Chemicals

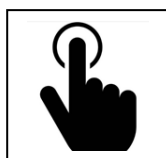
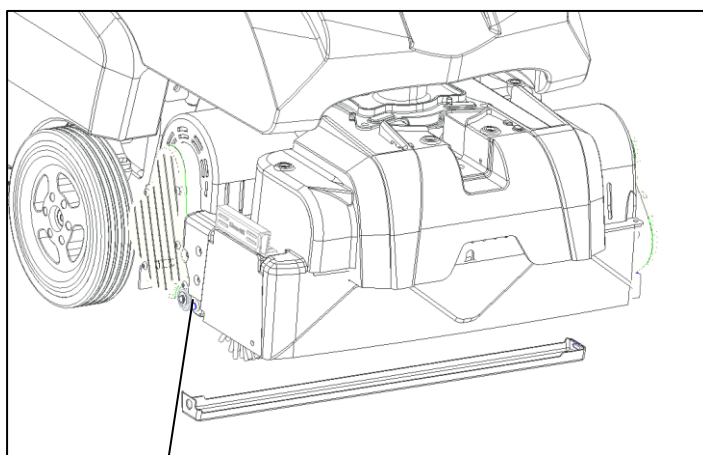
- must use recommended by the manufacturer or your local distributor;
- rinse the solution tank and the hose connecting to the nozzles every time after the operation. Or the chemicals may build up inside to cause clogging.

## Nozzles & Tray

- turn the nozzles counterclockwise to remove the nozzles for cleaning (Demo video clip is available upon request);



- for cleaning the tray, push the quick lock on the left side while holding the other end of the tray to slide it out (Demo video clip is available upon request).





---

**Troubleshooting:**

<b>PROBLEM</b>	<b>CAUSE AND SOLUTION</b>
vacuum pump/brush motors stop working	Inspect the brushes and brush housing. Any dirt and soil being built up may trigger the overloading protection of the pump or brush motor;
Too much residual solution on the treads	Inspect the brush wearing and replace the worn down brushes
	Check the clearance of the sucking slot of the vac-shoe between the two brushes;
Unsatisfactory cleaning results	make sure the correct chemicals were used
	inspect the nozzles/ inspect the vac-shoe
	inspect the brush wearing

---

**AC Power Cord Version:**

Dimensions	1275.5mm*523 mm*952.5 mm
Weight	≈115 kg
Recovery Tank Capacity	15L
Solution Tank Capacity	11-12L
Brush Width	520 mm
DC power input	230V 60Hz
Brush RPM	1200 RPM
Vac Pump	800W
Water Flow Rate	550-650 mL/min
Recovery Rate	>75%
Brush Motor	300W X 2
Sound level	80 dB

---

**Warranty:**

- One year warranty provided by the manufacturer;
- Please make sure to use the detergent provided by the manufacturer which is specially formulated for escalator scrubber. Or any other liquid that is formulated for escalator cleaning.

The manufacturer will not be responsible for any of the damages done to the machines, escalators or moving walkways by applying any cleaning chemicals other than that from the manufacturer. All spare parts are provided by the manufacturer;

Advisable liquid to be used: i-dose id.5. 3 cups 10 mL / 12 L clean water.

- The warranty doesn't cover any damages caused by using the brushes other than supplied by the manufacturer.



**i-team Professional b.v.**

Hoppenkuil 27b, 5626 DD Eindhoven, The Netherlands

---

Telephone: +31402662400

Email: [hello@i-teamglobal.com](mailto:hello@i-teamglobal.com)

Internet: [www.i-teamglobal.com](http://www.i-teamglobal.com)

