



Quick start guide



[i-team Professional b.v.](#)

[Hoppenkuil 27b, 5626 DD Eindhoven, The Netherlands](#)

Telephone: +31402662400

Email: hello@i-teamglobal.com

Internet: www.i-teamglobal.com





Table of Contents

Charge and insert the battery	3
Prepare the co-botic 45 for use	3
Connect the co-botic 45 to the network via Wi-Fi.....	4
Connect the co-botic 45 to the network via SIM card.....	4
Create maps and execute tasks using the co-botic app.....	5



ATTENTION

The goal of this quick start guide is to get the co-botic 45™ up and running as fast as possible. Creating maps and routes as described in this document may not necessarily be the most efficient way. Training is required to create optimal maps, routes and tasks.



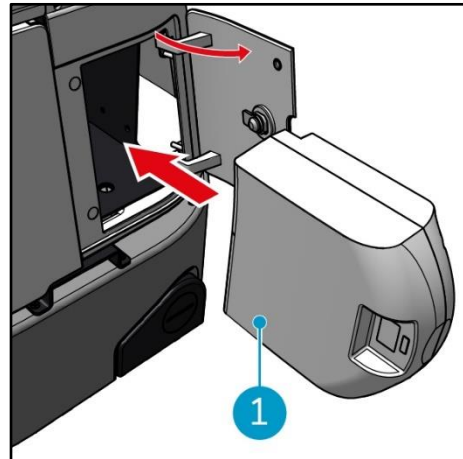
Charge and insert the battery



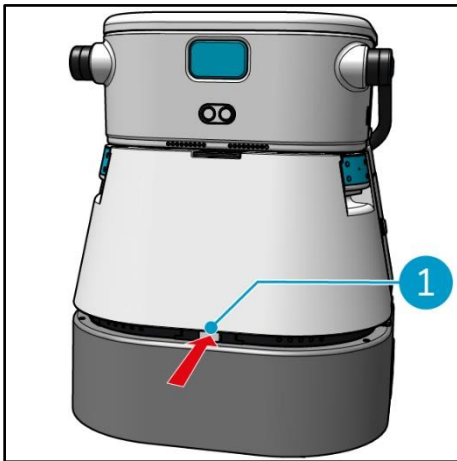
ATTENTION

Fully charge both the co-botic 45 battery and the remote control battery before first time use.

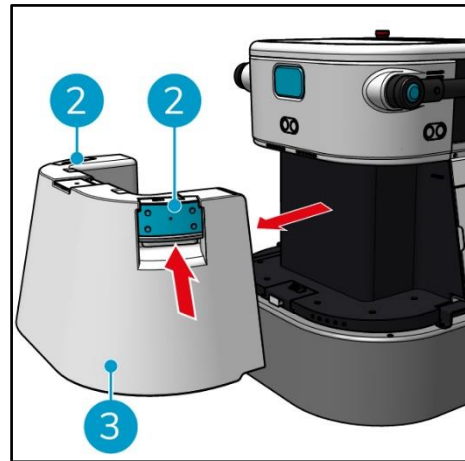
1. Insert the battery **[1]** in the battery compartment.
2. Press the power button to power-on the co-botic 45.



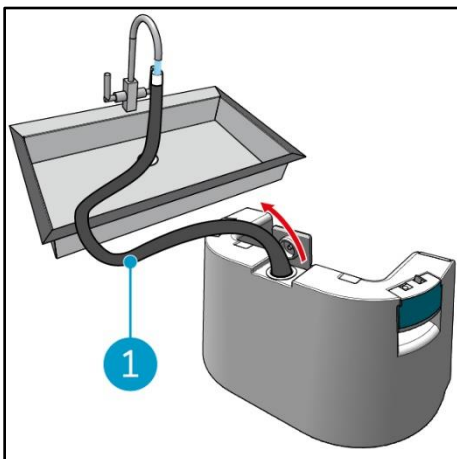
Prepare the co-botic 45 for use



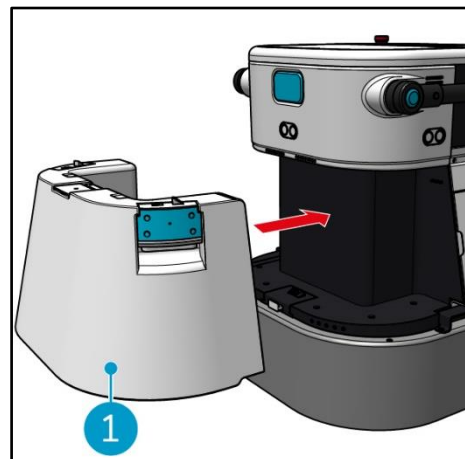
1. Press the latch to unlock the clean water tank **[1]**.



2. Press the inside of the handles **[2]** and pull to remove the clean water tank **[3]**.



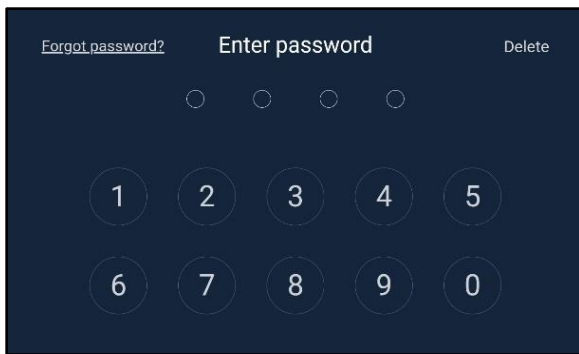
3. Using the internal hose **[1]**, fill the clean water tank with clean water.



4. Insert the clean water tank **[1]**. A clicking sound will indicate it is correctly installed.



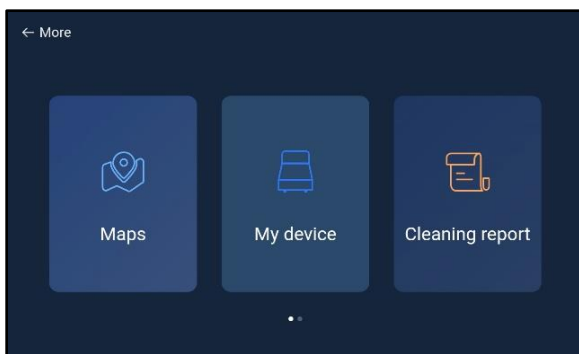
Connect the co-botic 45 to the network via Wi-Fi



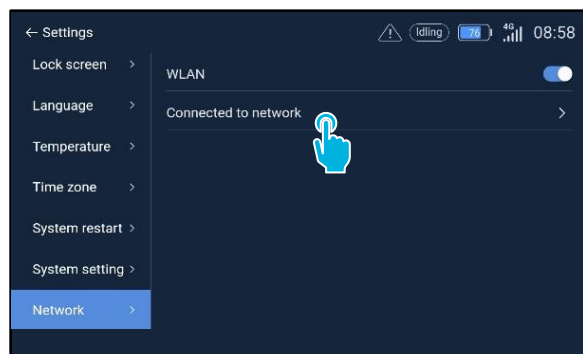
1. On the display, enter the 4-digit password to unlock the co-botic 45. This is 1234 by default.



2. Select **[More]**.



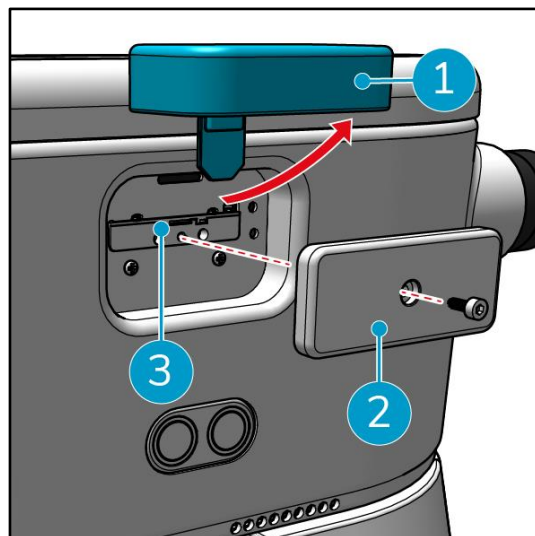
3. Scroll right and select **[Settings]**.
4. Scroll down and select **[Network]**.



5. Select **[Connected to network]**.
6. Select your network.
7. Enter the network password and select **[confirm]**.

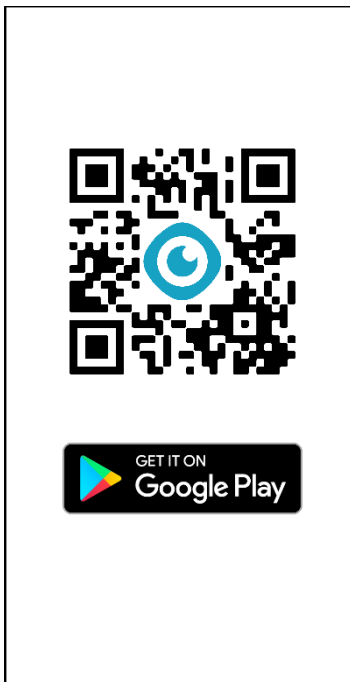
Connect the co-botic 45 to the network via SIM card

1. Open the rubber flap **[1]**.
2. Remove the Allen bolt and the plastic cover **[2]**.
3. Insert the SIM card in the slot **[3]**. The chip side of the SIM card should face up when inserting.

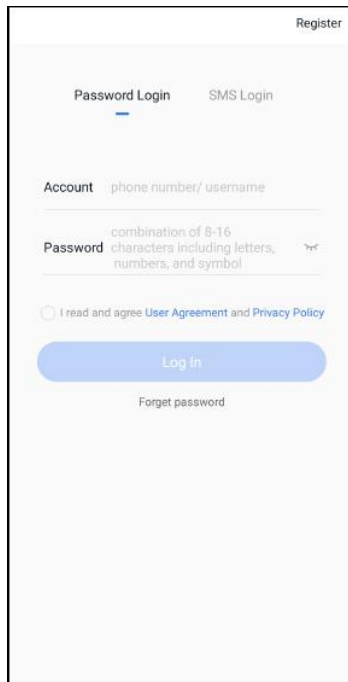




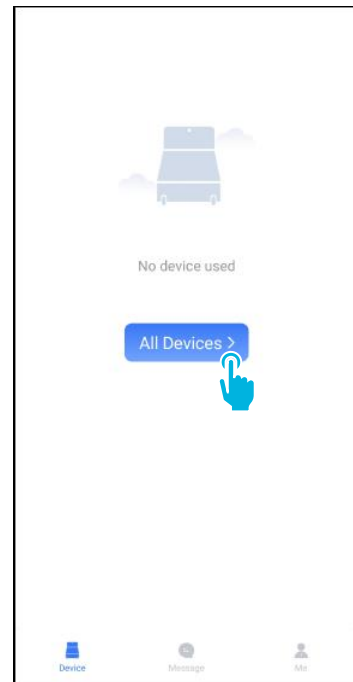
Create maps and execute tasks using the co-botic app



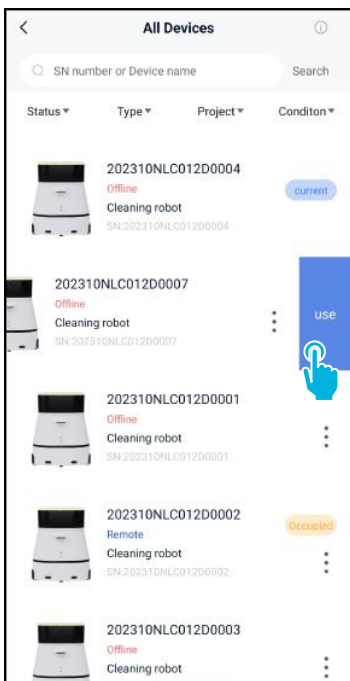
1. Download the co-botic app from the Google Play store or scan the QR code. The app is pre-installed on the android phone.



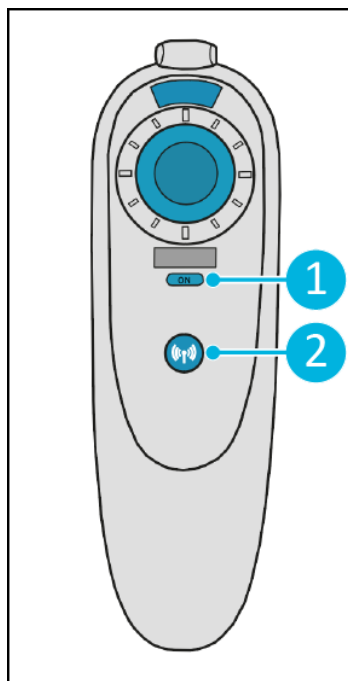
2. Log-in with your log-in credentials.



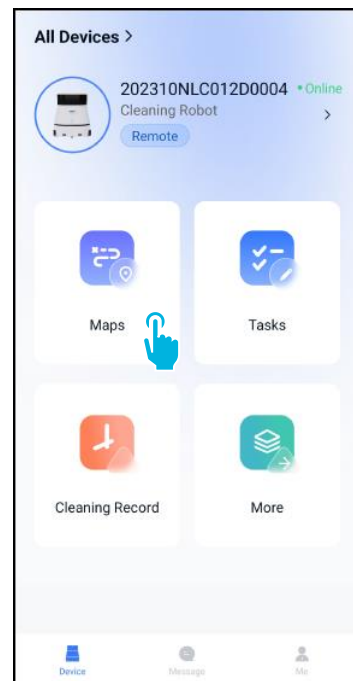
3. Select **[All Devices]**.



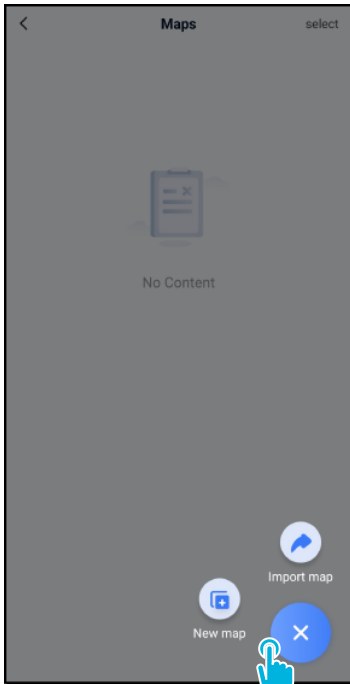
4. Find your co-botic 45 and select the **[three dots]**, then select **[Use]**.



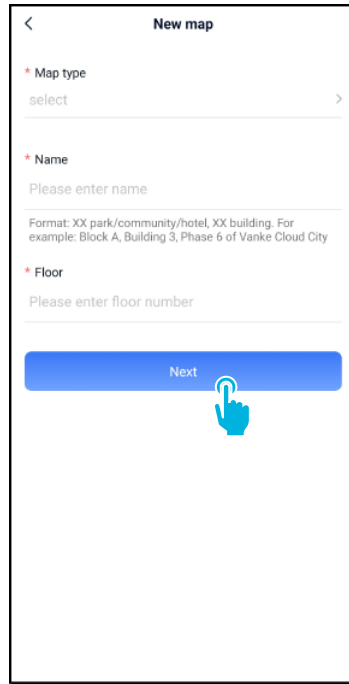
5. Turn on the remote control **[1]** and connect it to the co-botic 45 **[2]**.



6. In the main menu, select **[Maps]**.



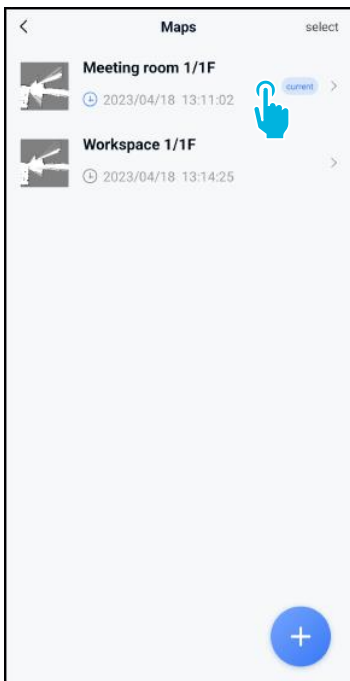
7. Select **[+]**, then select **[New map]**.



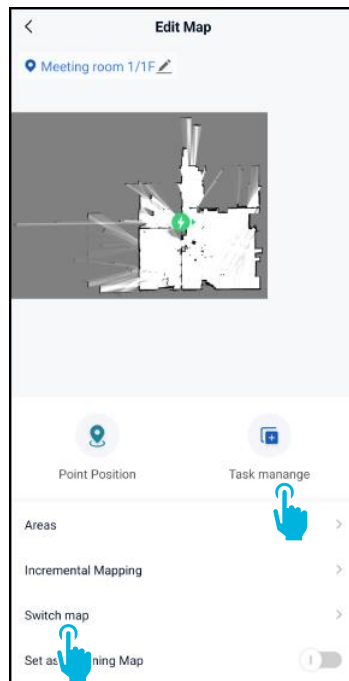
8. Assign a name and floor to the new map and select **[Next]**.



9. Using the joystick, move the co-botic 45 around the room to map it. Select **[Finish recording]** when done mapping.

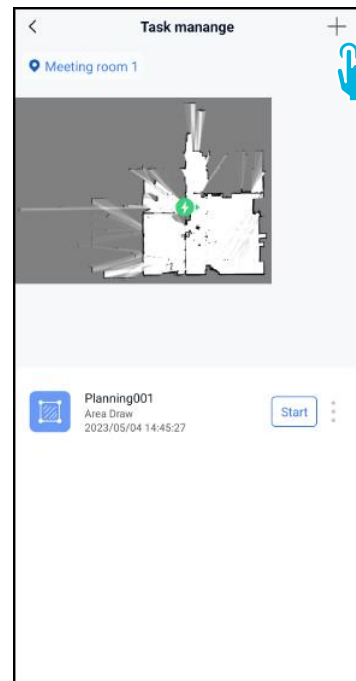


10. Find the new map in the maps menu. Select your new map.

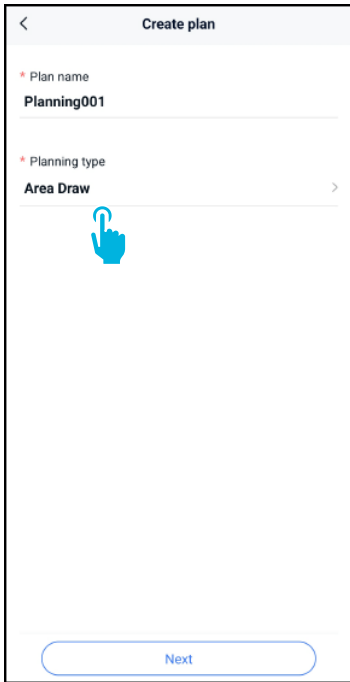


11. Select **[Switch map]** to use this new map.

12. Select **[Task manage]**.

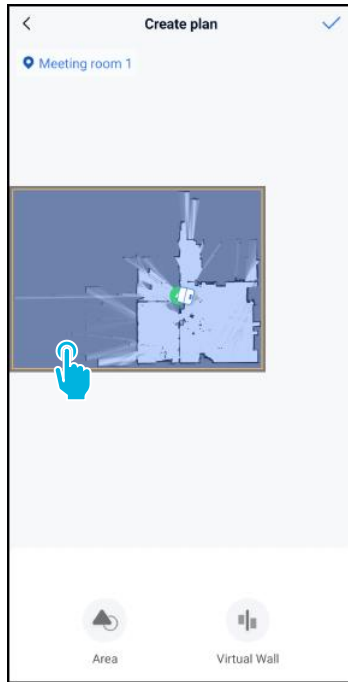


13. Select **[+]** to create a new cleaning plan. The co-botic 45 will create a cleaning route based on this plan.



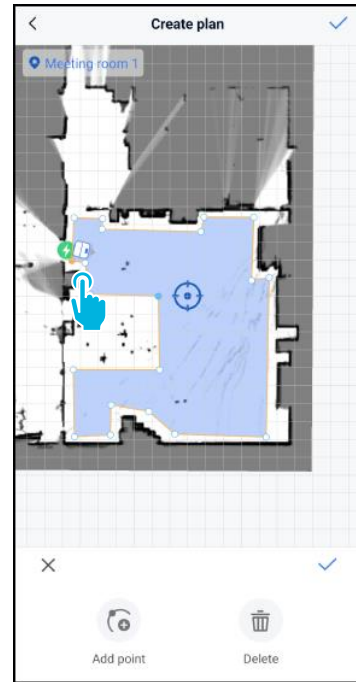
14. Enter a name for the new plan, then select **[Area Draw]**.

15. Select **[Next]**.



16. Select the blue area.

17. Drag and pinch-to-zoom the map to edit the blue area.



18. Select points to move them. When a point is selected it will turn orange.



19. **[Add points]** to the area to change the shape. New points will appear on the **[blue mark]**.

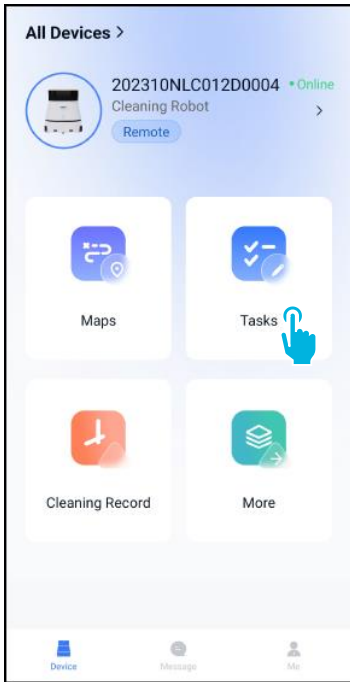


20. Drag the map to position the blue mark.

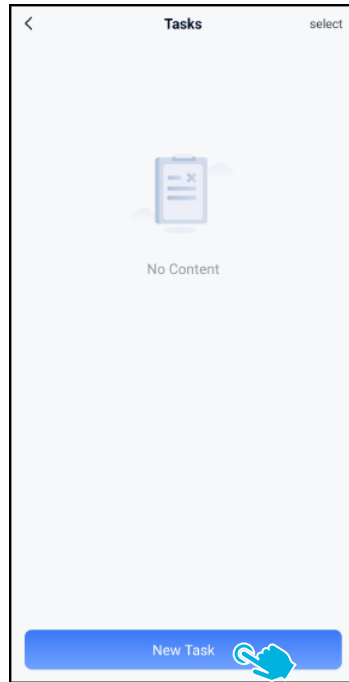
21. Save **[✓]** the changes when finished.



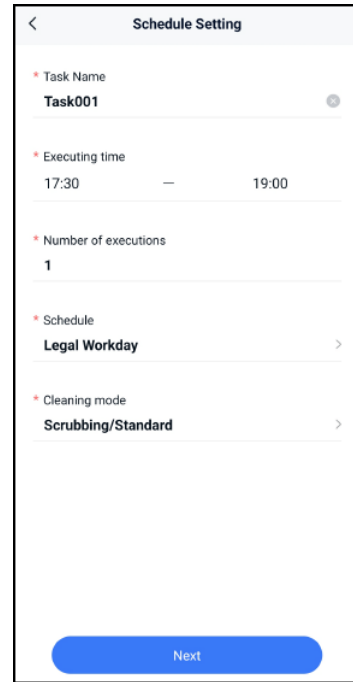
The new plan will now be generated and saved in the task management menu, see step 13. The plan can be started from the app. Continue with step 22 to be able to start from the display.



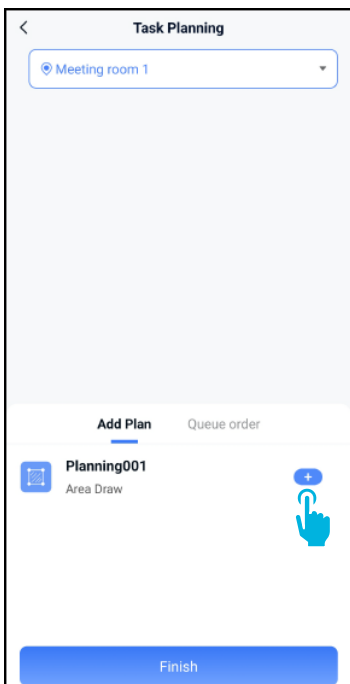
22. In the main menu, select **[Tasks]**.



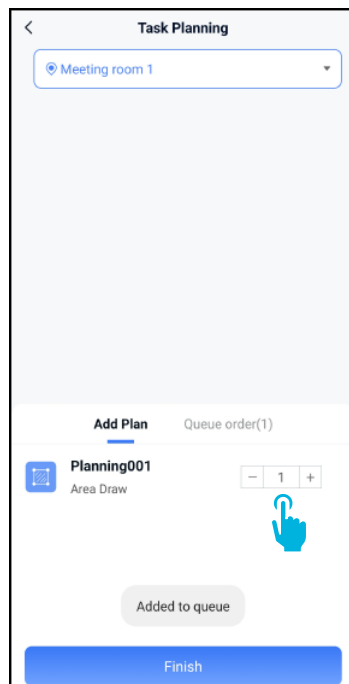
23. Select **[New Task]**.



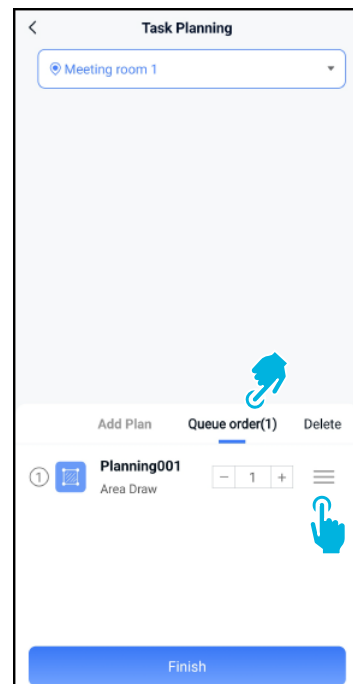
24. Enter the task details, then select **[Next]**.



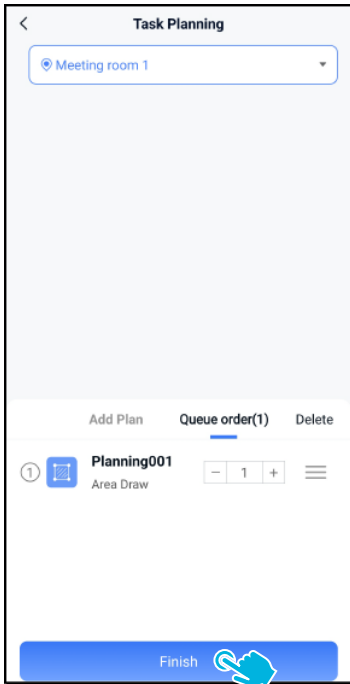
25. Configure the task by adding **[+]** your cleaning plan(s).



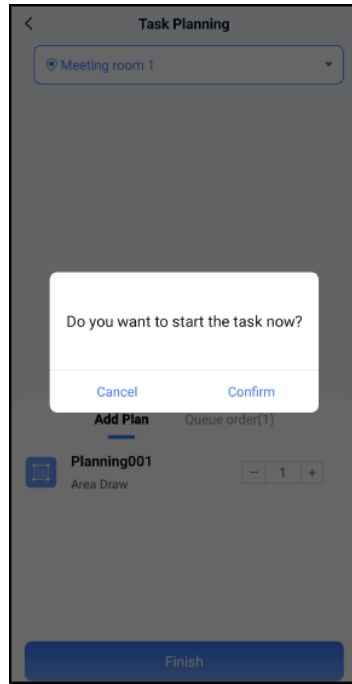
26. Select how many times the added plan(s) will be executed.



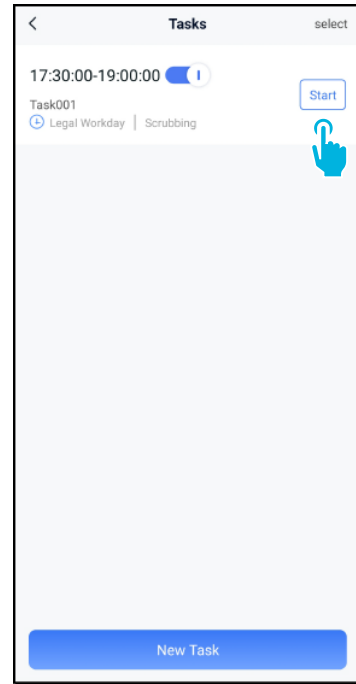
27. In case of multiple plans, select **[Queue order]** to change the order in which the plans will be executed.



28. Select **[Finish]** when done configuring the task.



29. In the pop-up, select **[Confirm]** to start the task now, or **[Cancel]** to save the task.

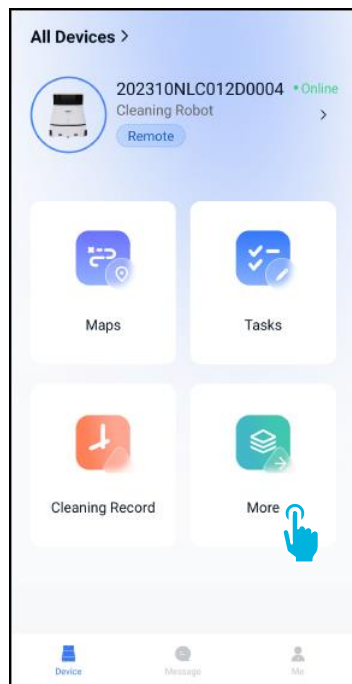


30. The new task will be saved in the Tasks menu and can be started manually or automatically.

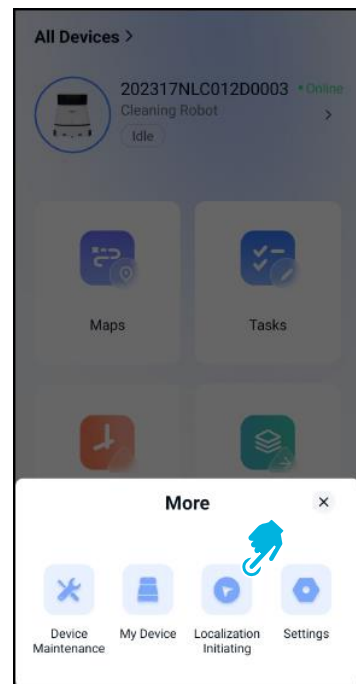
When starting a task, make sure that:

- The correct map is selected, see step 11.
- The co-botic 45 is at its starting position in the map.

If the co-botic 45 is in a different location in the room, either move it to its starting position (using the remote control), or have the co-botic 45 localize its position in the room by continuing with step 31.



31. In the main menu, select **[More]**.



32. Select **[Localization initiating]**.

33. Select **[Confirm]**.



i-team Professional b.v.

Hoppenkuil 27b, 5626 DD Eindhoven, The Netherlands

Telephone: +31402662400

Email: hello@i-teamglobal.com

Internet: www.i-teamglobal.com

