



i-vac 5<sup>®</sup>

Continuously easy

# User manual



**i-team Professional b.v.**

Hoppenkuil 27b, 5626 DD Eindhoven, The Netherlands

T +31402662400

E [hello@i-teamglobal.com](mailto:hello@i-teamglobal.com)

I [www.i-teamglobal.com](http://www.i-teamglobal.com)



**i-team<sup>®</sup>**



Original user manual, written in the English Language  
Future Cleaning Technologies B.V.  
Hoppenkuil 27b, 5626 DD Eindhoven, The Netherlands

T +31402662400

E [hello@i-teamglobal.com](mailto:hello@i-teamglobal.com)

I [www.i-teamglobal.com](http://www.i-teamglobal.com)

Model: C05

Date: 10/04/2020

Product code: C05.I-V.XXXXC

Version: v.1.0



## Preface

Thank you for purchasing the i-vac 5®. The i-vac 5 has an egg shaped canister so you can work optimal in smaller areas and carry it close to your body. All of the accessories and necessary equipment supplied with the machine can be stored on the machine.

The i-vac 5 is easy to use when you follow the instructions. Please read the user manual carefully. Become familiar with the correct operation and maintenance procedures. Store the manual in a safe place. The manual is an essential part of the i-vac 5 and must be handed over to the new owner upon resale or exchange. Each i-vac 5 has a unique identification number that can be found on top of the main body. Your i-team partner needs this number when you order parts.

When this manual refers to “the manufacturer” this means: Future Cleaning Technologies B.V., an affiliate company of i-team in Eindhoven, the Netherlands. When this manual mentions “the partner” your local i-team resell and support service partner is referred to.

## Purpose of the user manual

The purpose of the user manual is to provide the user with information during the life of the i-vac 5 in such a way that the i-vac 5 is used correctly, efficiently and safely, even in the event of reasonably foreseeable misuse.

The user manual contains instructions regarding:

- personal operator safety;
- intended and non-intended use of the i-vac 5;
- instructions for daily use;
- maintenance instructions;
- storage conditions;
- disposal of the i-vac 5.

These instructions must be considered to avoid risks that could lead to physical and/or material damage.

## Target audience

This user manual is intended for operators of the i-vac 5 and their supervisors, as well as partners and importers.

## Operators of the i-vac 5




The i-vac 5 may only be operated by a person who:

- has correctly read and understood the instructions in this manual;
- is trained by an experienced operator who has read and understood the instructions in this manual.



## Reading guide

The following symbols and terms are used throughout this manual to alert the reader to safety issues and important information:

| Symbol  | Term             | Explanation   |
|---|------------------|---|
|  | <b>WARNING</b>   | Indicates a hazardous situation which, if the safety instructions are not followed, can lead to injuries of the operator or bystanders, light and/or moderate damage to the product or the environment. |
|  | <b>CAUTION</b>   | Indicates a hazardous situation which, if the safety instructions are not followed, can lead to light and / or moderate damage to the product or the environment.                                       |
|  | <b>ATTENTION</b> | Indicates a liability situation, where the manufacturer or its partners and affiliates cannot be held accountable for damages caused by non-compliance.   |



# Content

|  |    |
|--|----|
| Preface .....                            | 3  |
| Purpose of the user manual .....         | 3  |
| Target audience .....                    | 3  |
| Operators of the i-vac 5 .....           | 3  |
| Reading guide.....                       | 4  |
| 1 Introduction.....                      | 7  |
| 1.1 Intended use of the product.....     | 7  |
| 1.2 Non-intended use of the product..... | 8  |
| 1.3 Lifespan.....                        | 9  |
| 1.4 Modifications.....                   | 9  |
| 1.5 Specifications.....                  | 9  |
| 1.6 Warranty.....                        | 10 |
| 1.7 Identification .....                 | 10 |
| 2 Description .....                      | 11 |
| 3 Safety.....                            | 12 |
| 3.1 General Safety Instructions .....    | 12 |
| 3.2 Risks during operation.....          | 12 |
| 4 Transport and storage .....            | 13 |
| 5 Assembly and installation.....         | 14 |
| 5.1 Unboxing.....                        | 14 |
| 5.2 Assembly.....                        | 15 |
| 5.3 Replacing the dust bag .....         | 16 |
| 6 Operation .....                        | 20 |
| 6.1 Before you start.....                | 20 |
| 6.1.1 Height adjustment.....             | 20 |
| 6.2 Start .....                          | 21 |
| 6.2.1 After operation.....               | 21 |
| 7 Maintenance .....                      | 22 |
| 7.1 Cleaning .....                       | 22 |
| 7.1.1 Clean the machine.....             | 22 |
| 7.1.2 Clean the hose and wand .....      | 22 |
| 7.1.3 Replacing the motor filter .....   | 23 |
| 7.2 Tool condition.....                  | 24 |
| 7.3 Damaged or worn parts.....           | 24 |
| 7.4 Maintenance frequency .....          | 25 |



|      |                                    |    |
|------|------------------------------------|----|
| 7.5  | Storage.....                       | 25 |
| 8    | Trouble shooting .....             | 26 |
| 9    | Decommissioning and disposal ..... | 27 |
| 10   | Attachments .....                  | 28 |
| 10.1 | CE Certificate .....               | 28 |



# 1 Introduction

The i-vac 5® has an egg shaped canister for optimal working in smaller areas, also you can carry it close to your body. You always have the right accessories and necessary equipment with you as it can be stored on the machine. The sturdy and ergonomic main handle provides a freedom of mobility you haven't experienced before. The i-vac 5 goes wherever you go.

This manual is intended for those who work with the i-vac 5 and perform daily maintenance. The manual must be read in full before the first actions. This manual describes the correct method of use, safety measures, maintenance and transport.

i-team continuously improves all their products based on user experience and feedback. Any deviations between the texts and/or images from the manual and your i-vac 5 can therefore arise from the difference in model or from possible changes due to continuous development and innovation.

## 1.1 Intended use of the product

The i-vac 5 is intended for indoor use for the collection of **dry** materials only.



Figure 1

The i-vac 5 is suitable for commercial use. For example: in hotels, schools, hospitals, factories, shops, cleaning companies, holiday parks and offices.



Make sure that the i-vac 5® is maintained as described in section 7 Maintenance. Not following the recommended maintenance may lead to hazardous situations and i-team Professional may NOT give warranty.

Check the filters, dust bag and hose regularly for pollution or damage. Replace damaged parts. For more information on how to order i-vac 5 parts, please see section 7.3.

**ONLY USE** original i-team Professional parts! i-team Professional does **NOT** give warranty in case non original parts are used.

The i-vac 5 may only be operated by a person who:

- has correctly read and understood the instructions in this manual;
- is trained by an experienced operator who has read and understood the instructions in this manual.

Keep the i-vac 5 and the accessories clean.

In order to use the i-vac 5 on different types of surfaces, extra tools are provided. These tools are easy to replace. Select the right tool for each job, see Figure 2.

1. Upholstery tool.
2. Crevice tool.

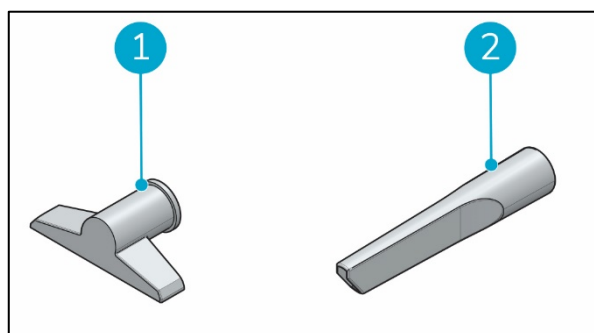


Figure 2

## 1.2 Non-intended use of the product



### WARNING

Non-intended use can have consequences for the safety of operators and bystanders and will void the warranty on the product.

The i-vac 5 is not intended to clean anything else than dry materials.

The i-vac 5 is not suitable for the collection of:

- wet materials or water;
- hot ashes or lighted cigarette ends;
- hazardous or explosive substances;
- biological hazards;
- particulate matter.
- big pieces of glass, plastic or wood.





### 1.3 Lifespan

For a proper functioning and a long lifespan of the i-vac 5®, it is important to follow the recommended maintenance intervals mentioned in this manual.

### 1.4 Modifications

It is not permitted to make modifications to the design of the i-vac 5 without consultation and permission from the manufacturer. This affects the warranty (see 1.6).

### 1.5 Specifications

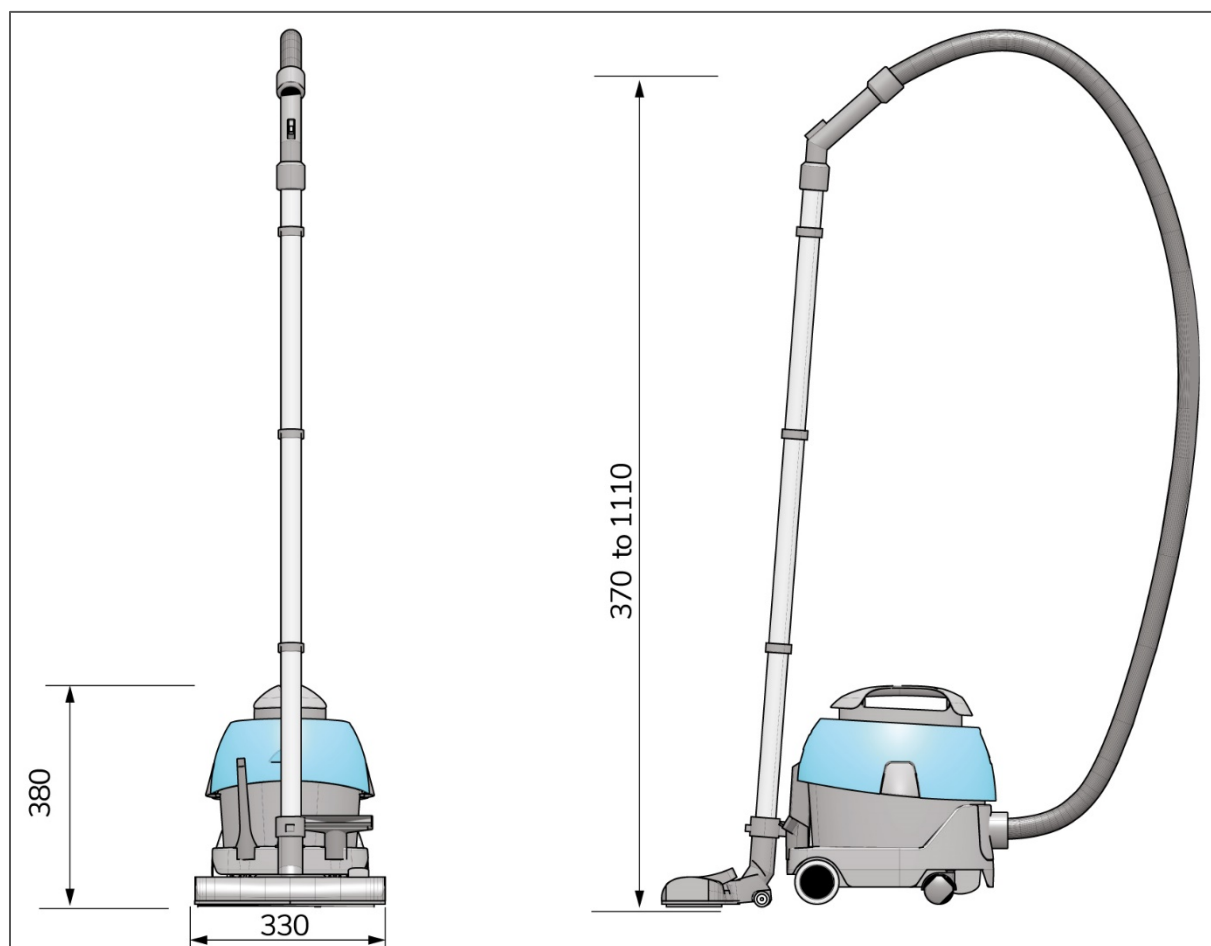


Figure 3

|                         |                     |
|-------------------------|---------------------|
| Body size:              | 380 x 330 x 380 mm  |
| Carrying weight:        | 4.8 kg              |
| Weight with cable:      | 5.4 kg              |
| Hose length:            | 180 cm              |
| Power cable length:     | 800 cm              |
| Detachable power cable: | Yes                 |
| Capacity:               | 5 L                 |
| Noise level:            | 62 dB(A)   63 dB(A) |
| Diameter of tools:      | 32 mm               |
| Water lift/suction:     | 1800 mm             |
| Air flow:               | 29,8 L/sec          |
| Application:            | Indoor, dry         |
| Voltage:                | 220 V, 240 V        |



|                   |            |
|-------------------|------------|
| Motor power:      | 850 W      |
| Application:      | Indoor/dry |
| Material machine: | PP         |

## 1.6 Warranty

The i-vac 5® should only be operated with the materials supplied. Using alternative supplies may cause damage to the i-vac 5 and may cause a risk to the operator. The use of alternative supplies voids manufacturer's warranty. The warranty period is 1 year.

## 1.7 Identification

Each i-vac 5® has a unique serial number that can be found on the bottom of the main body and on the bottom of the head. Your i-team partner needs this number when you order parts.

Explanation type plate:



|   |  |   |
|---|--|---|
|  <b>Dry use only</b><br>C05 i-vac5 32MM<br>220-240V , 50-60Hz , 850W<br>Production code: C05.I- V.XXXXC<br>Model :C05<br>Serial no .:<br><br><u>Distributed by:</u><br>i-Team Professional<br>Hoppenkuil 27 b<br>5626 DD<br>Eindhoven,NL<br>www.i-teamglobal.com | <b>RoHS</b><br><br>105.0479.0015.00 | Product type: i-vac 5<br><br>Production code: C05.I.V.XXXXC<br>Model: C05<br>Serial number:<br><br>Distributor:<br>i-team professional<br>Hoppenkuil 27 b<br>NL-5626 DD Eindhoven |
|---|--|---|

Figure 4



## 2 Description

The body of the i-vac 5® is made of durable and impact resistant material. The wand consists of three pieces so you can extend it to reach out to difficult spots. It can be combined with different tools to use the i-vac 5 on different types of surfaces.

The i-vac 5 consists of:

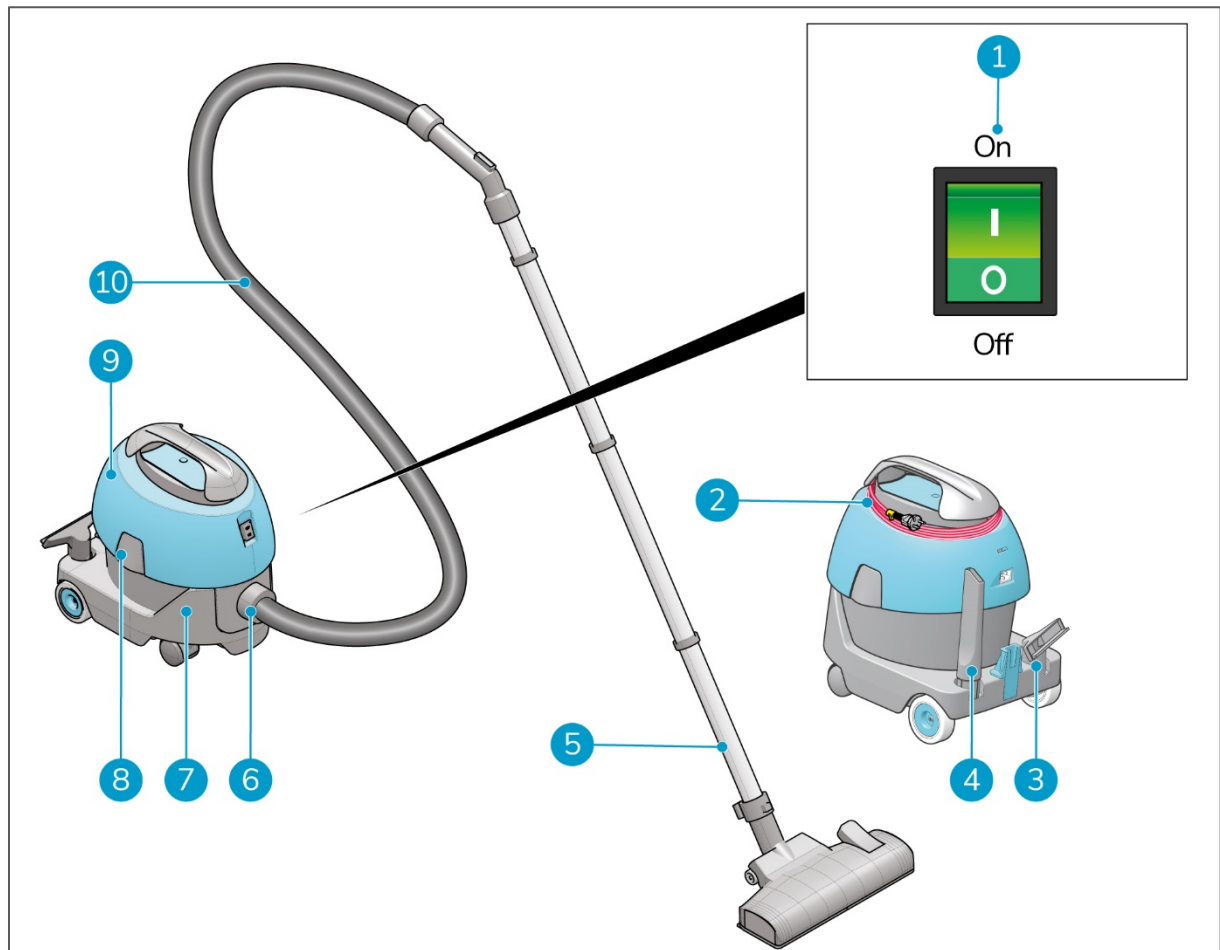


Figure 5

### Legend

- |                        |                                   |
|------------------------|-----------------------------------|
| 1. An ON/OFF switch.   | 6. A hose connector.              |
| 2. A main power cable. | 7. A can.                         |
| 3. An upholstery tool. | 8. A latch to open the main body. |
| 4. A crevice tool.     | 9. A head.                        |
| 5. A wand, 3 sections. | 10. A hose.                       |



## 3 Safety

Safety comes first, therefore please take time to read and understand these safety instructions. Improper use can cause harm or void the manufacturer's warranty.

### 3.1 General Safety Instructions

- make sure that the main power cable is fully unwound before using the i-vac 5®;
- do not remove the power plug from the socket by pulling at the main power cable; instead, pull at the power plug.

### 3.2 Risks during operation



#### **WARNING**

**STOP OPERATION IMMEDIATELY** if the i-vac 5 does not perform properly or makes unusual noise. Service the i-vac 5 before you continue the operation.



#### **WARNING**

**DO NOT** operate the i-vac 5 without a filter dust bag.



#### **WARNING**

**DO NOT** use the i-vac 5 on damp or wet surfaces. This will cause damage to the i-vac 5 and is dangerous to the user. The damage caused by the use on a wet surface is not covered under the warranty.



#### **WARNING**

**DO NOT** run the i-vac 5 over the main power cable.



## 4 Transport and storage

- do not store the i-vac 5® outdoors;
- store the i-vac 5 in a dry place.



## 5 Assembly and installation

The i-vac 5® does not require much assembly. The machine comes with 2 additional tools for vacuuming different types of surfaces.

### 5.1 Unboxing

The i-vac 5 and its components and accessories are packed in 1 box.

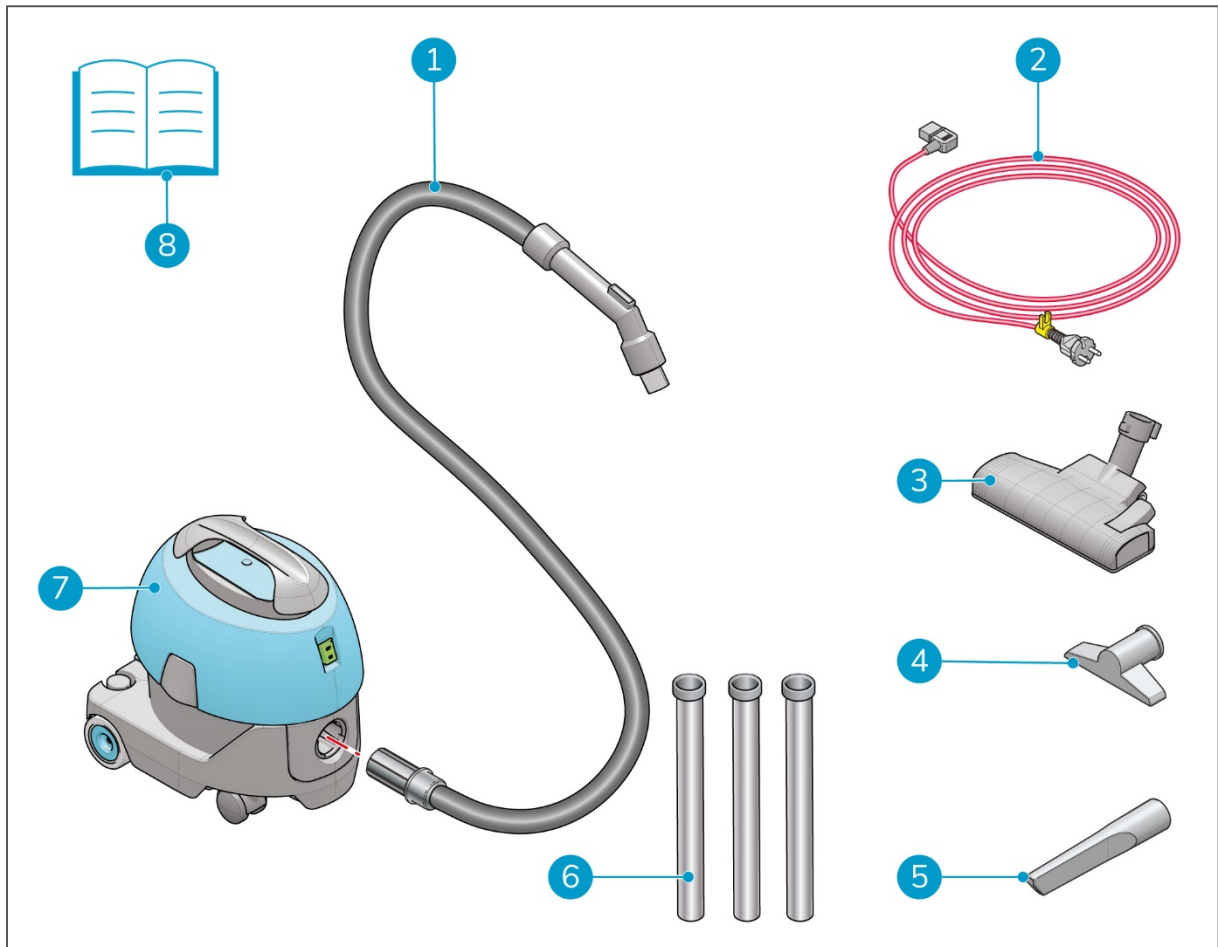


Figure 6

#### Legend

- |                        |                        |
|------------------------|------------------------|
| 1. 1x hose             | 5. 1x crevice tool     |
| 2. 1x main power cable | 6. 3x wand             |
| 3. 1x standard tool    | 7. 1x i-vac 5          |
| 4. 1x upholstery tool  | 8. 1x this user manual |



## 5.2 Assembly

1. Place the main power cable in the cable strain relief (Figure 7, pos 1), at a cable length of approximately 10 to 12 centimeters from the machine.
2. Place the main power cable plug (Figure 7, pos 2) into the connector (Figure 7, pos 3).
3. Place the main power cable plug into the clamp (Figure 7, pos 4).
4. Insert the hose (Figure 7, pos 9) into the hose intake (Figure 7, pos 8).
5. Turn the hose clockwise to lock it into place.
6. Insert the hose into the wand (Figure 7, pos 6).
7. Attach the desired tool (Figure 7, pos 7) on the narrow end of the wand.
8. Place the unused tools onto the brackets (Figure 7, pos 5).

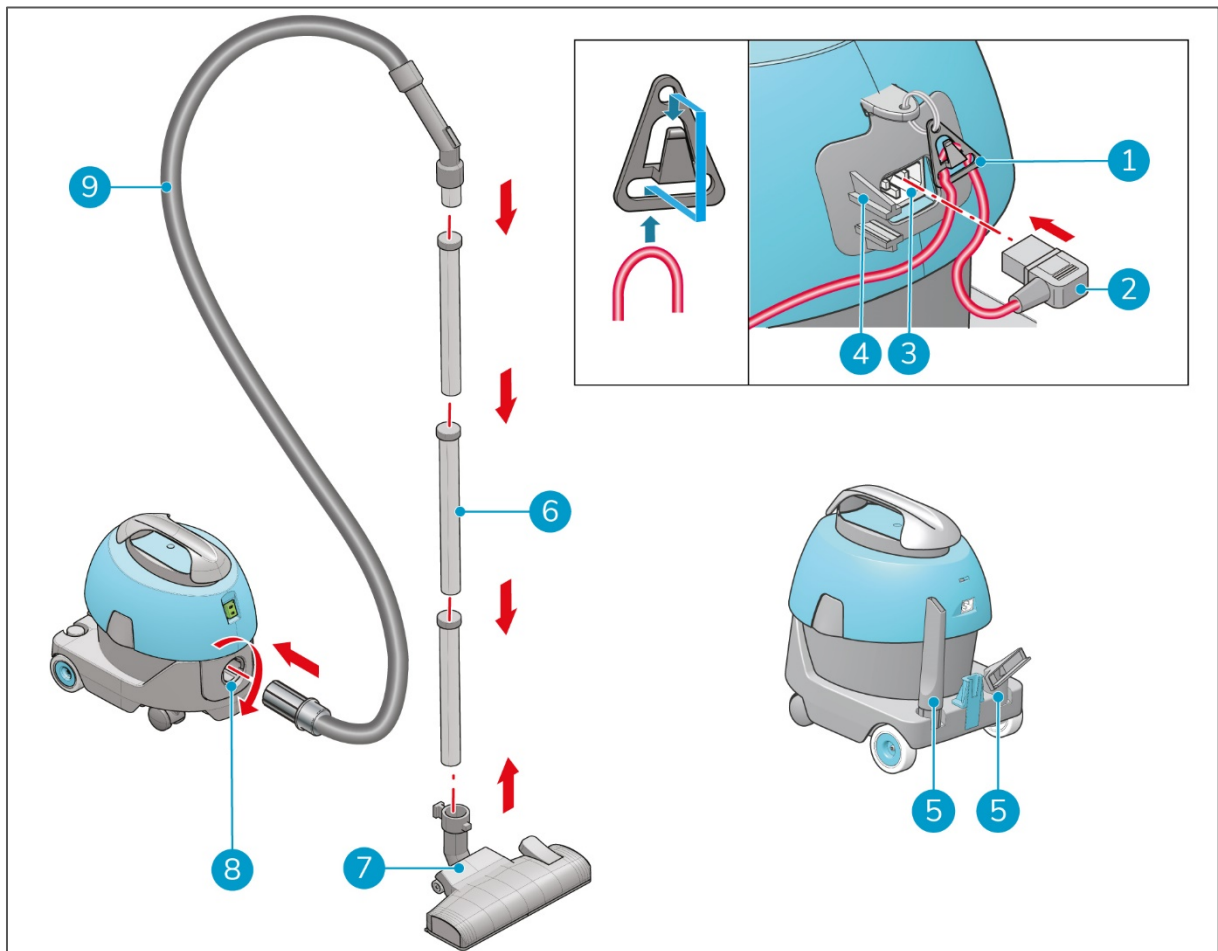


Figure 7



### 5.3 Replacing the dust bag

Check the dust bag every week and replace it if it is full. Only use original i-team dust bags.

- unplug the main power cable before replacing the dust bag;
- **make sure that the hose is removed from the i-vac 5® before removing the dust bag.** You cannot remove the dust bag with the hose in place.

1. Turn off the i-vac 5 with the ON/OFF switch (Figure 8, pos 1).
2. Remove the hose ( Figure 8, pos 2).
3. Release the latches (Figure 8, pos 3).
4. Lift the head by the handle (Figure 8, pos 4).

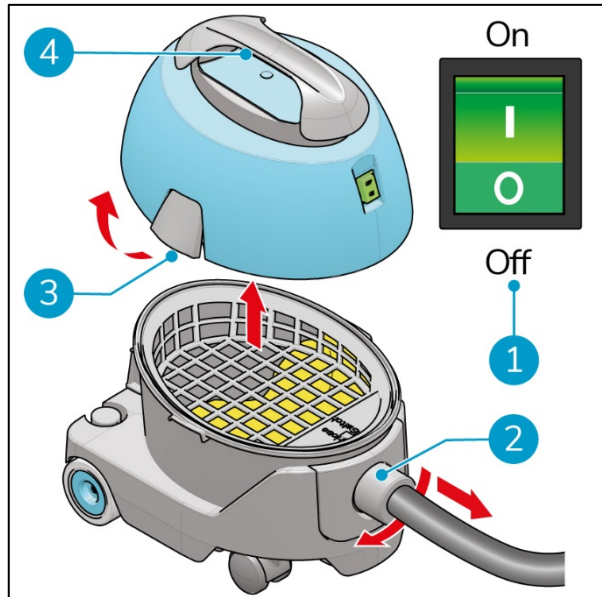


Figure 8

5. Place the head on its side on a level surface (Figure 9, pos 1).

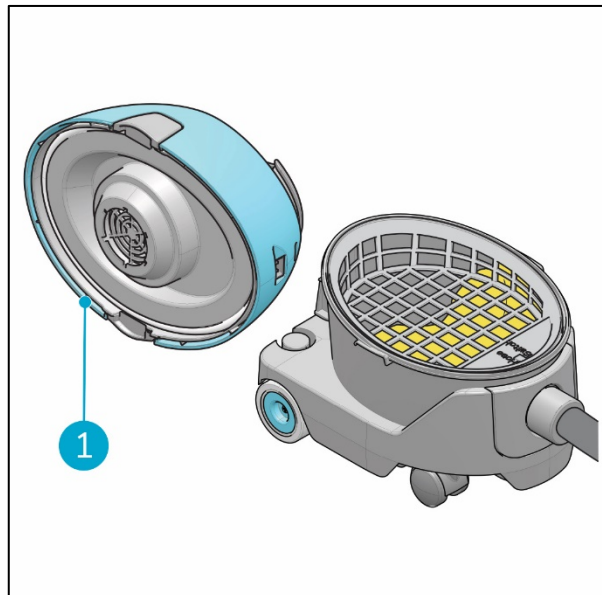


Figure 9



6. Turn the hose (Figure 10, pos 5) counterclockwise and remove it from the hose connector.
7. Remove the filter bag (Figure 10, pos 1).
8. Pull the cardboard tag (Figure 10, pos 3) to seal the dust bag.
9. Fold the ends of the dust bag (Figure 10, pos 2) towards each other.
10. Remove the old dust bag (Figure 10, pos 4).

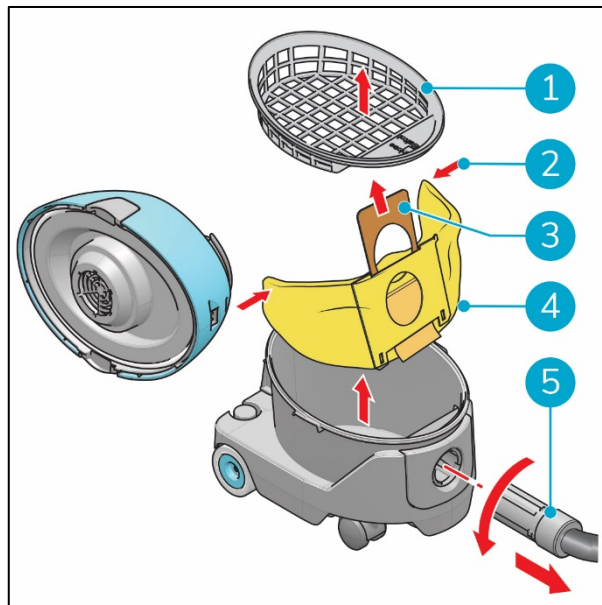


Figure 10

11. Slide the cardboard collar of the new filter bag (Figure 11, pos 1) fully into the slots to insert the dust bag.
12. Unfold the dust bag (Figure 11, pos 2).
13. Place back the filter bag (Figure 11, pos 3).

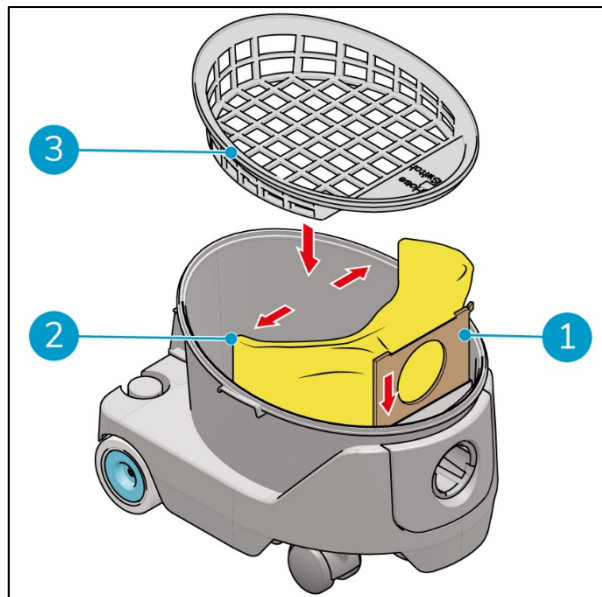


Figure 11

14. Place the hose (Figure 12, pos 1) into the hose connector (Figure 12, pos 2) turn it clockwise to lock it.

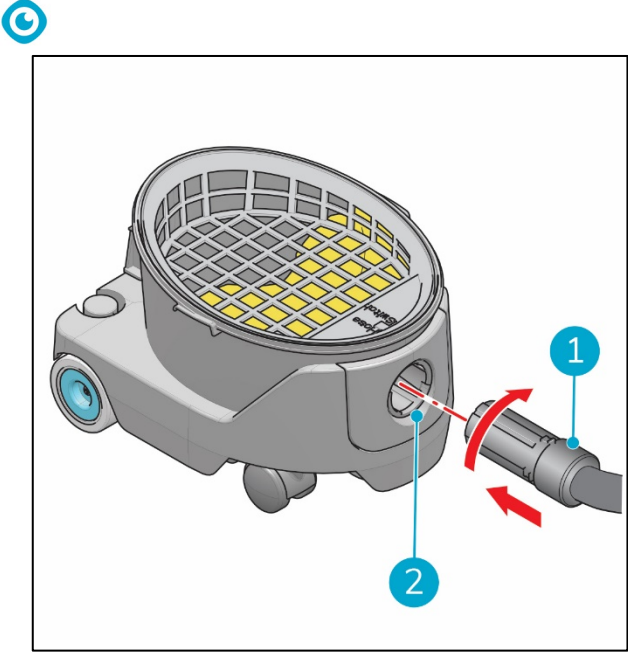


Figure 12

15. Place the head (Figure 13, pos 1) onto the can.

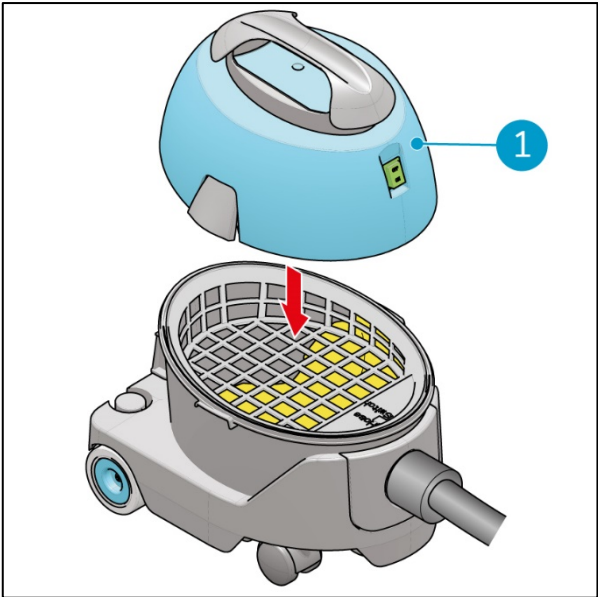


Figure 13

16. Fasten the latches (Figure 14, pos 1).

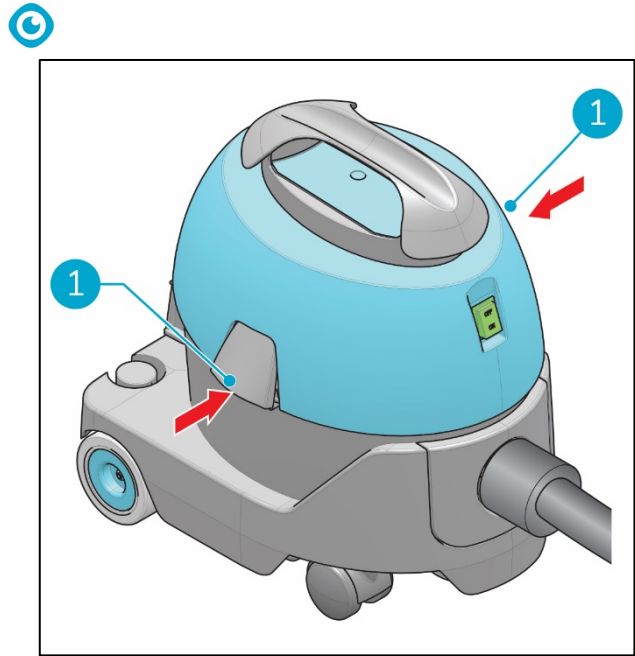


Figure 14



**ATTENTION**

Make sure that the head is correctly placed on the can, otherwise false air may be sucked in and this affects the performance of the i-vac 5®.



## 6 Operation

### 6.1 Before you start

1. Make sure that the main power cable is placed in the cable strain relief (Figure 15, pos 1).
2. Make sure that the main power cable is not damaged. Pull it through a fiber cloth.
3. Make sure that the dust bag is placed in the i vac 5®, (see 5.2).
4. Make sure that you have the correct tool for the intended purpose, see Figure 2.
5. Check the brush from the tool for wear and tear.
6. Make sure the motor filter is clean (see 7.2).

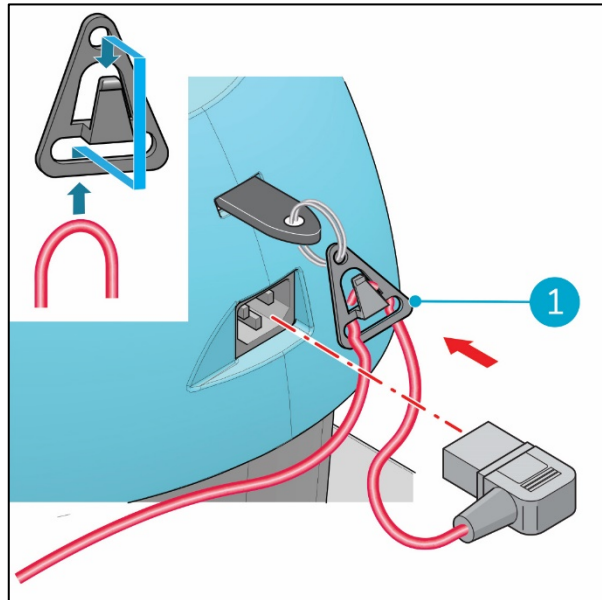


Figure 15

#### 6.1.1 Height adjustment

1. Add or remove a section of the wand (Figure 16, pos 1) to adjust the length

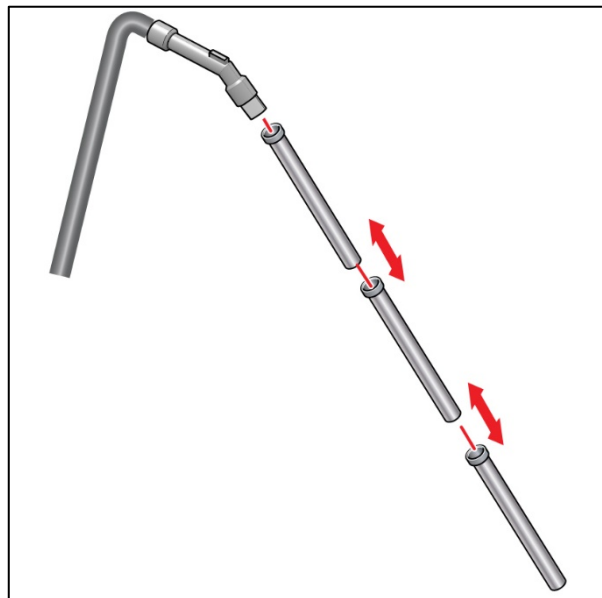


Figure 16



## 6.2 Start

1. Put the main power cable into the wall socket (Figure 17, pos 1).
2. Press the ON/OFF switch (Figure 17, pos 2) to start the i-vac 5®. The green light in the ON/OFF switch will go .
3. Take the wand from the holder (Figure 17, pos 3).
4. Start vacuuming.

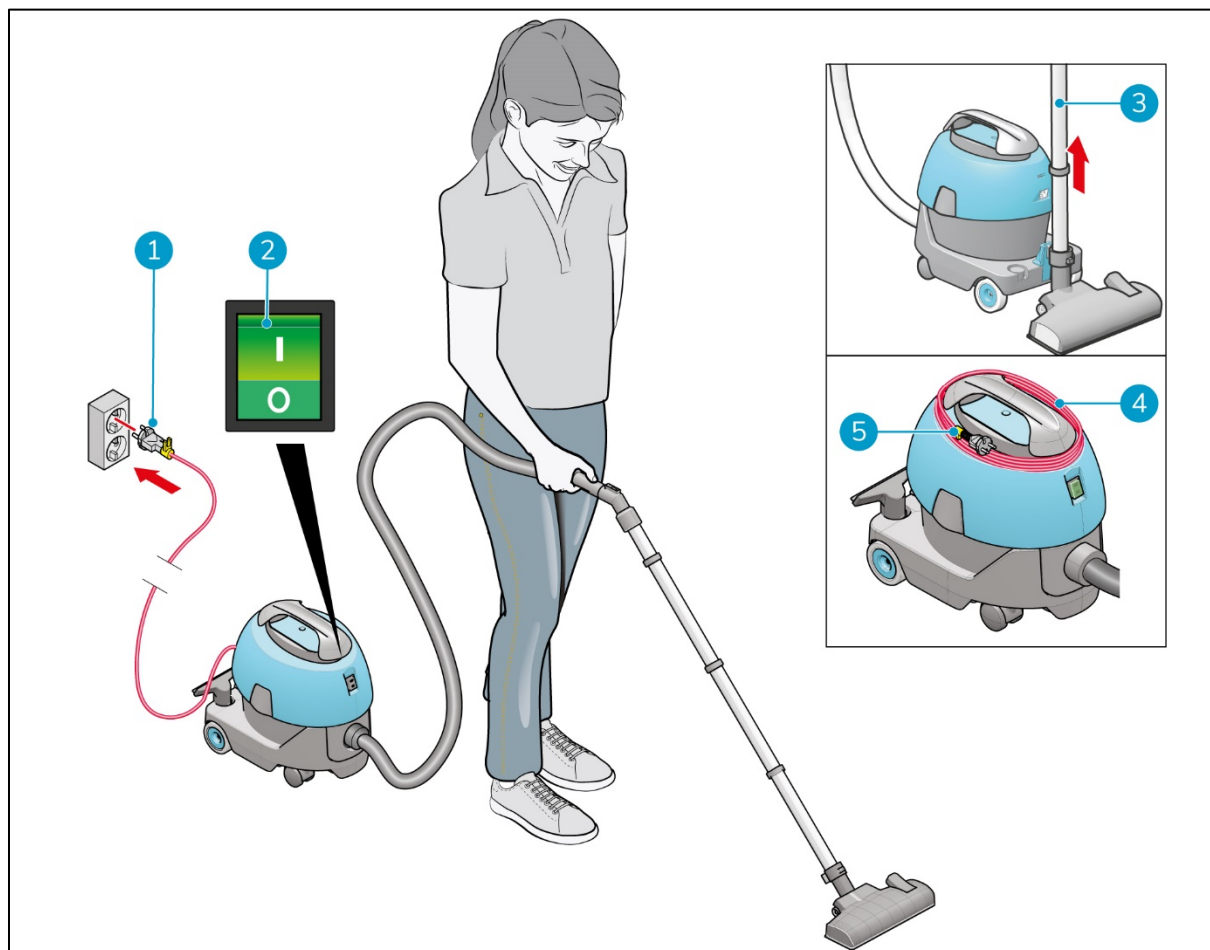


Figure 17

### 6.2.1 After operation

1. Press the ON/OFF switch (Figure 17, pos 2) to switch off the i-vac 5.
2. Remove the main power cable from the wall socket. (Figure 17, pos 1).
3. Wind the main power cable around the head of the i-vac 5 (Figure 17, pos 4).
4. Place the yellow cable clamp (Figure 17, pos 5) over the cable.
5. Place the wand back in the holder (Figure 17, pos 3).



## 7 Maintenance



### WARNING

Before you start maintenance or replacing parts; Remove the main power cable from the wall socket.

The i-vac 5® does not require much maintenance however it is recommended to clean the machine after using it and before storing it.

For a proper functioning and a long lifespan of the i-vac 5, it is important to follow the recommended maintenance intervals mentioned in this manual.

Maintenance that is not described in this manual should be done by your i-vac 5 partner. Please make sure to have the model and serial number of the i-vac 5 available when you call a partner. For more information please fill out the contact form on [www.i-teamglobal.com](http://www.i-teamglobal.com).

Maintenance and assembling- disassembling of the i-vac 5 may only be operated by a person who:

- has correctly read and understood the instructions in this manual;
- is trained by an experienced operator who has read and understood the instructions in this manual;
- is an adult person.

### 7.1 Cleaning



### WARNING

**DO NOT** clean the i-vac 5 with a high pressure cleaner.  
**DO NOT** submerge the i-vac 5 in water.

#### 7.1.1 Clean the machine

Clean the exterior of the machine using a damp cloth.

#### 7.1.2 Clean the hose and wand

Keep the hose and tube clear. Remove objects that cause a blockage by beating the hose gently with your hand.



### WARNING

**DO NOT** use a sharp object to clean the hose or wand.



### 7.1.3 Replacing the motor filter

1. Turn off the i vac 5® with the ON/OFF switch (Figure 18, pos 1).
2. Release the latches (Figure 18, pos 2).
3. Lift the head by the handle (Figure 18, pos 3).

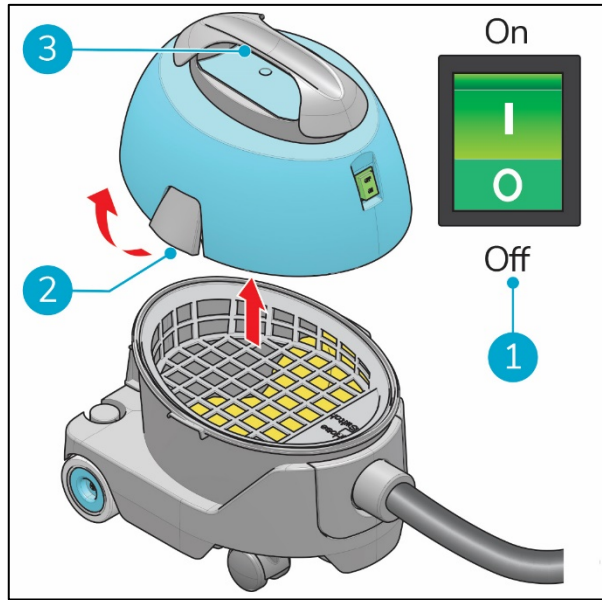


Figure 18

4. Place the head on on a level surface (Figure 19, pos 1).
5. Remove the old motor filter (Figure 19, pos 2).
6. Place the new motor filter (Figure 19, pos 2).

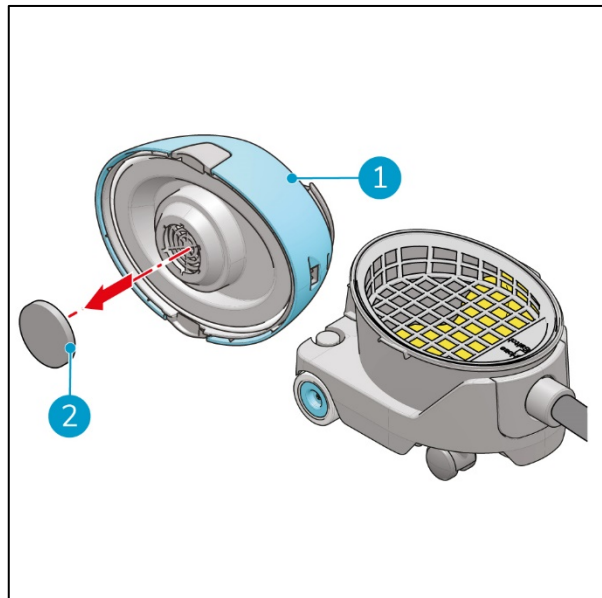


Figure 19

2. Place the head (Figure 20, pos 1) back on the can.

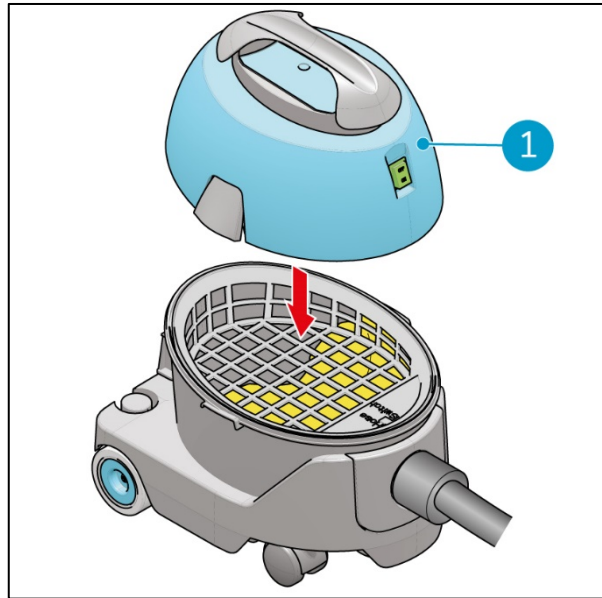


Figure 20

3. Fasten the latches (Figure 21, pos 1).

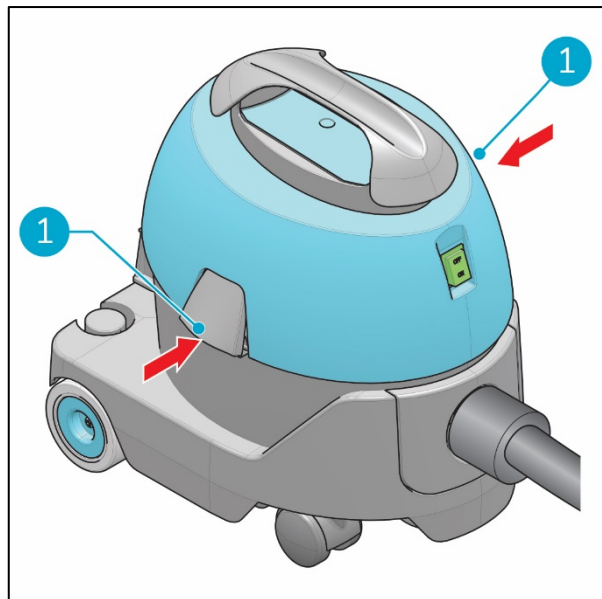


Figure 21

## 7.2 Tool condition

Check the condition of the tool for wear and tear before use. Only change the tool when the machine is turned off.

## 7.3 Damaged or worn parts

Damaged or worn parts need to be replaced immediately. Contact your local i-team Global partner or visit [www.i-teamglobal.com](http://www.i-teamglobal.com) for more information.





## 7.4 Maintenance frequency

Make sure that routine and preventive maintenance is carried out periodically to ensure safe operation. Failure to carry out maintenance as necessary may cause damage to the i-vac 5<sup>®</sup> and may cause a risk to the operator.

Check the i vac 5 for damage or defects before you use it.

Check the dust bag every week and replace it if it is full.

Change the motor filter every three months or after a period of intensive use.

Authorized personnel should inspect the i-vac 5 once every year.

## 7.5 Storage

Store the i-vac 5 indoors.



## 8 Trouble shooting

| <b>Problem</b>  | <b>Cause</b>   | <b>Solution</b>   |
|---|--|---|
| <b>No power/ green light in ON/OFF switch does not burn</b> | Main power cable broken                              | Replace main power cable.   |
|   | Main power cable not plugged in                      | Plug in main power cable.   |
|   | No electricity in wall socket                        | Check the wall socket.  |
|   | ON/OFF switch off                                    | Turn on ON/OFF switch.  |
| <b>i-vac 5® stops working</b>                               | Motor overheated, a thermal switch stopped the motor | Let the i-vac 5 cool down. Check the filters, dust bag and hose: see 6.3.2. and 6.3.3. Wait approximately 30 minutes. Start the i-vac 5 by pushing the ON/OFF switch. |
| <b>Little suction power</b>                                 | Filter bag full                                      | Turn off the i-vac 5 and replace filter bag.  |
|   | Filter is full                                       | Turn off the i-vac 5 and Replace filters.   |
|   | Hose blocked   | Turn off the i-vac 5 and remove blockage.   |
|   | Wand blocked   | Turn off the i-vac 5 and remove blockage.   |
|   | Tool blocked   | Turn off the i-vac 5 and remove blockage.   |
|   | Hose not well attached                               | Turn off the i-vac 5 and reconnect hose.  |
|   | Head not well placed on can                          | Turn off the i-vac 5 and replace the head on the can.   |
| <b>i-vac 5 makes strange sound</b>                          | Motor is broken                                      | Change motor.   |
|   | Carbon brushes are worn                              | Change motor.   |
|   | Hose blocked   | Turn off the i-vac 5 and remove blockage.   |
|   | Dust bag is full                                     | Turn off the i-vac 5 and change dust bag.   |
| <b>i-vac 5 smells strange</b>                               | Filter is full                                       | Turn off the i-vac 5 and Replace filter.  |
|   | Dust bag is full                                     | Turn off the i-vac 5 and change dust bag.   |



## 9 Decommissioning and disposal



### ATTENTION

It is the responsibility of the i-vac 5® owner to dispose of the product responsibly.

At the end-of-life the i-vac 5 still contains valuable resources and needs to be disposed of according to your local laws and regulations regarding recycling of electrical equipment.

Before disposal please:



1. Remove all loose components like the tools, hose and wand.
2. Dispose all items according to your local laws and regulations.

### TIP:

Contact you local i-team partner to explore all possibilities of returning components at the end-of-life of your i-vac 5.



## 10 Attachments

### 10.1 CE Certificate



## EG/EC DECLARATION OF CONFORMITY

**We: Future Cleaning Technologies B.V., Hoppenkuil 27b, 5626 DD Eindhoven, Nederland**

Hereby declare the following equipment:

Product: **Vacuum Cleaner**  
Model: i-vac 5C  
Rating: **220-240V 50Hz**  
**850W**  
**Class II**  
**IPX0**

Fulfills all the relevant provisions of European Low Voltage Directive 2006/95/EC and EMC Directive 2004/108/EC. This equipment has been designed and manufactured in accordance with following harmonized European standards:

**EN 60355-1:2002 + A11:2004+A1:2004+A12:2006+A2:2006+A13:2008**  
**EN 60335-2-2:2003+A1:2004+A2:2006**  
**EN 60335-2-69:2009**  
**EN 62233:2008**  
**EN 55014-1:2006+A1:2009**  
**EN 61000-3-2:2006+A1:2009+A2:2009**  
**EN 61000-3-3:2008**  
**EN 55014-2:1997+A1:2001+A2:2008**

Eindhoven, 19.06.2020

Frank van de Ven  
Director

(Place and date of issue)

(Name and signature by authorized person)



This document is part of the technical file of the i-vac 5<sup>®</sup> and will be available upon request.