

# imop<sup>®</sup> Lite

Auto scrubber for floor surfaces

## User manual



[i-team Professional b.v.](http://www.i-teamglobal.com)

Hoppenkuil 27b, 5626 DD Eindhoven, The Netherlands

Telephone: +31402662400

Email: [hello@i-teamglobal.com](mailto:hello@i-teamglobal.com)

Internet: [www.i-teamglobal.com](http://www.i-teamglobal.com)





### FASTER:

Cleans 50% faster than conventional mopping and 20% faster than equal size scrubber dryers proven by cleaning rates of up to 1300 m<sup>2</sup> per hour.



### CLEANER:

Powerful twin counter-rotating 500 RPM brushes for soil removal proven by ATP test data, reflecting up to 90% cleaner surfaces.



### GREENER:

Takes advantage of every bit of chemical and every drop of water, which is proof that it reduces environmental impact by over 75%. On average the i-mop<sup>®</sup> Lite uses 20% less energy per m<sup>2</sup> compared to a typical scrubber dryer.



### SAFER:

Cleans and dries floors almost instantly - proven by standardized slip test readings of 120 or less - significantly reducing slip and fall hazards. The antimicrobial tanks on the i-mop reduces the odors coming from the recovery tank and protects operators who handle the tank every day. Bacterial reduction in contact with the tank wall has been certified and tested at ≥99.99% efficacy.



### BETTER FOR EVERYONE:

It cleans fast and thoroughly, resulting in a cleaner and healthier environment for everyone.

---

Original user manual, written in the English Language

Future Cleaning Technologies B.V.

Hoppenkuil 27b, 5626 DD Eindhoven, The Netherlands

---

Telephone: +31402662400

Email: [hello@i-teamglobal.com](mailto:hello@i-teamglobal.com)

Internet: [www.i-teamglobal.com](http://www.i-teamglobal.com)

---

Model: imop<sup>®</sup> Lite

Date: 04-05-2022

---

Product code:

Version: v2.0

---

Model year: 2022

---



## Preface

Thank you for choosing the imop® Lite, the auto scrubber that cleans faster, cleaner, safer, greener, and is better for everyone. The imop Lite's compact design allows you to clean right to the edge and under obstacles, minimizing manual scrubbing. The battery operated imop Lite is equipped with two counter-rotating brushes that provide a deep scrub and a great cleaning result. The imop Lite significantly reduces the amount of water and chemicals needed which leads to a greener result. It also reduces the risk of slippery floors.

### **antimicrobial tanks**

The tanks on the imop use an **antimicrobial** mix-in to make the plastic safer both inside and outside. Because it is mixed into the plastic, the effect will last the lifetime of the tank. The reduction of bacteria reduces the odours coming from the recovery tank and protects operators who handle the tank every day. Bacterial reduction in contact with the tank wall has been certified and tested at  $\geq 99.99\%$  efficacy.



## Purpose of the user manual

The purpose of the user manual is to provide the user with information in such a way that during the life of the imop® Lite, the machine is used correctly, efficiently and safely, even in the event of reasonably foreseeable misuse, as described in section 1.2 of this manual.

The user manual contains instructions regarding:

- Personal operator safety
- Intended and non-intended use of the imop Lite
- Instructions for daily use
- Maintenance instructions
- Storage conditions
- Disposal of the imop Lite

These instructions must be considered to avoid risks that could lead to physical and/or material damage.

## Target audience

This user manual is intended for operators of the imop Lite and their supervisors, as well as partners and importers.








## Operators of the imop Lite

The imop Lite may only be operated by a person who has correctly read and understood the instructions in this manual or is trained by an experienced operator who has read and understood the instructions in this manual.



## Reading guide

The following symbols and terms are used throughout this manual to alert the reader to safety issues and important information:

Symbol	Term	Explanation
	WARNING	Indicates a hazardous situation which, if the safety instructions are not followed, can lead to injuries of the operator or bystanders and light and/or moderate damage to the product or the environment.
	CAUTION	Indicates a hazardous situation which, if the safety instructions are not followed, can lead to light and / or moderate damage to the product or the environment.
	ATTENTION	Indicates a liability situation, where the manufacturer or its partners and affiliates cannot be held accountable for damages caused by non-compliance.
	STRONG MAGNET	Indicates that the machine contains strong magnets. These can cause pacemakers to stop working or cause electronic data to be damaged, such as information stored on access passes.
	PACEMAKER	Indicates that operators and maintenance crew wearing pacemakers should keep a minimal distance of 6 in / 15 cm. In this specific case operators may not use the machine as a backpack.
	BATTERIES	Indicates a battery-operated machine, batteries must be charged according to the instructions in the separate class I battery charger user manual. Batteries must be disposed of according to your local laws and regulations.
	SLIPPERY SURFACE	Indicates that the machine can cause floors to become slippery. In the workplace, it is advised to place slippery surface signs in these areas.



# Content

Preface.....	3
Purpose of the user manual.....	4
Target audience.....	4
Operators of the imop Lite .....	4
Reading guide.....	5
Content.....	6
1. Introduction.....	8
1.1. Intended use of the product.....	8
1.2. Non-intended use of the product.....	9
1.3. Lifespan .....	9
1.4. Modifications .....	9
1.5. Specifications .....	10
1.6. Warranty.....	11
1.7. Identification .....	11
2. Description .....	12
3. Safety .....	13
3.1. General safety instructions .....	13
3.1.1 Sweep before scrub .....	13
3.1.2 Brush condition .....	13
3.1.3 Machine orientation.....	13
3.1.4 antimicrobial tanks .....	13
3.1.5 Strong magnets.....	13
3.1.6 Battery .....	13
3.2. Risks during operation.....	14
3.2.1 Dress safely .....	14
3.2.2 Mark the job site.....	14
3.2.3 Careful when parking.....	14
3.3. Risks after operation .....	14
3.3.1 Remove battery.....	14
3.3.2 Machine orientation .....	14
3.3.3 Careful when storing.....	14
4. Transport and storage .....	15
4.1. General.....	15
4.2. Store position .....	15
4.3. Transport outside .....	16
4.4. Transport in a vehicle.....	17
5. Assembly and installation .....	18
5.1. Unboxing.....	18



5.2.	Assembly .....	19
5.2.1	Charging the battery .....	19
5.2.2	Attaching the brushes .....	19
5.2.3	Attaching the squeegee.....	20
5.2.4	Installing the cleaning solution tank.....	20
5.2.5	Installing the recovery tank.....	21
6.	Operation .....	22
6.1.	Before you start.....	22
6.1.1	Inserting the battery .....	22
6.1.2	Filling the cleaning solution tank .....	23
6.2.	Operation procedure .....	24
6.2.1	Walking to the job site .....	24
6.2.2	At the job site .....	25
6.2.3	ECO mode .....	28
6.2.4	Turning off the imop® Lite .....	28
6.2.5	Emptying tanks.....	28
6.3.	Cleaning and storage .....	29
6.3.1	Flushing the system .....	29
6.3.2	Cleaning the tanks .....	29
6.3.3	Cleaning the filter .....	29
6.3.4	Removing the battery .....	30
6.3.5	Checking the brushes and squeegee .....	30
6.3.6	Store in an upright position .....	31
7.	Maintenance .....	32
7.1.	Brush replacement.....	32
7.2.	Squeegee replacement.....	33
7.2.1	Detaching the squeegee.....	33
7.2.2	Flipping/replacing the squeegee blade .....	33
7.2.3	Attaching the squeegee.....	34
7.3.	Replacing the vacuum hose .....	34
7.4.	Recommended additional cleaning .....	34
7.5.	Recommended service time .....	35
7.6.	Accessories .....	35
8.	Troubleshooting .....	36
9.	Decommissioning and disposal .....	37
10.	Attachments .....	38
10.1.	CE Certificate.....	38
10.2.	Specifications .....	39
10.3.	The i-Story.....	40



# 1. Introduction

The imop® Lite is a safe, user-friendly machine. This manual helps you to get started and explains the operation and maintenance procedure. You will be pleasantly surprised by the fast and effective use of the battery operated imop Lite. The batteries must be fully charged before use. Please see the user manual of the class I battery charger for correct procedure.

This manual is intended for those who work with the imop Lite and/or perform daily maintenance. The manual must be read fully before the first actions. This manual describes the correct method of use, safety measures, maintenance and transport.

The manufacturer continuously improves all their products based on user experience and feedback. Any deviations between the texts and/or images from the manual and your imop Lite can therefore arise from the difference in model or from possible changes due to continuous development and innovation.

## 1.1. Intended use of the product

The imop Lite is a specialized machine for scrubbing floor surfaces. You can use any type of water-based scrubbing detergent.

The fluid tank, brushes and squeegee come in HACCP color coded versions (blue, green, red, yellow and orange). All three items can be easily replaced. This allows you to use different cleaning solutions, — for instance, when you move from the food preparing area to the restaurant. Make sure that the color code for the fluid tank, brush and squeegee **ALWAYS** match each other.



Figure 1





## 1.2. Non-intended use of the product



### WARNING

Non-intended use can have consequences for the safety of operators and bystanders and will void the warranty on the product.

- **NEVER** operate the imop® Lite near flammable dusts, liquids or vapors.
- **NEVER** operate the imop Lite when flammable or poisonous liquids like gasoline, oil, acids, or other volatile substances are on the floor.
- **DO NOT** fill the imop Lite with any flammable detergent. **ONLY** use the water-based cleaning solutions.
- **DO NOT** use water that exceeds 113°F / 45°C. Using water warmer than this temperature will void the tank warranty.
- **DO NOT** use cleaning solutions with a pH level below 3 or above 11 in order to prevent damage to sensitive components.
- **DO NOT** use the imop Lite outdoors or on uneven surfaces.
- **DO NOT** operate this imop Lite over electrical floor outlets in order to avoid electrical shock.
- **NO RIDERS!** Do not carry passengers on top of the imop Lite.
- **DO NOT** use the imop Lite as stepladder or platform.
- **DO NOT** store the imop Lite outside in order to avoid damage to electronic components.
- **ONLY** use manufacturer-supplied parts for maintenance.
- **KEEP AWAY** from children! The imop Lite is a professional cleaning machine to be used by trained adults only.

## 1.3. Lifespan

Each imop Lite is guaranteed to operate for at least 2000 hours. The wear on brushes and squeegee heavily depends on the roughness of the surface. They need to be checked regularly.



### CAUTION

To ensure proper and safe operation throughout the life of the imop Lite, the machine must be checked by an authorized i-team partner every 500 hours..

## 1.4. Modifications

It is not permitted to make modifications to the design of the imop Lite without consultation and permission from the manufacturer. This affects the warranty, see section 1.6 of this manual.



## 1.5. Specifications

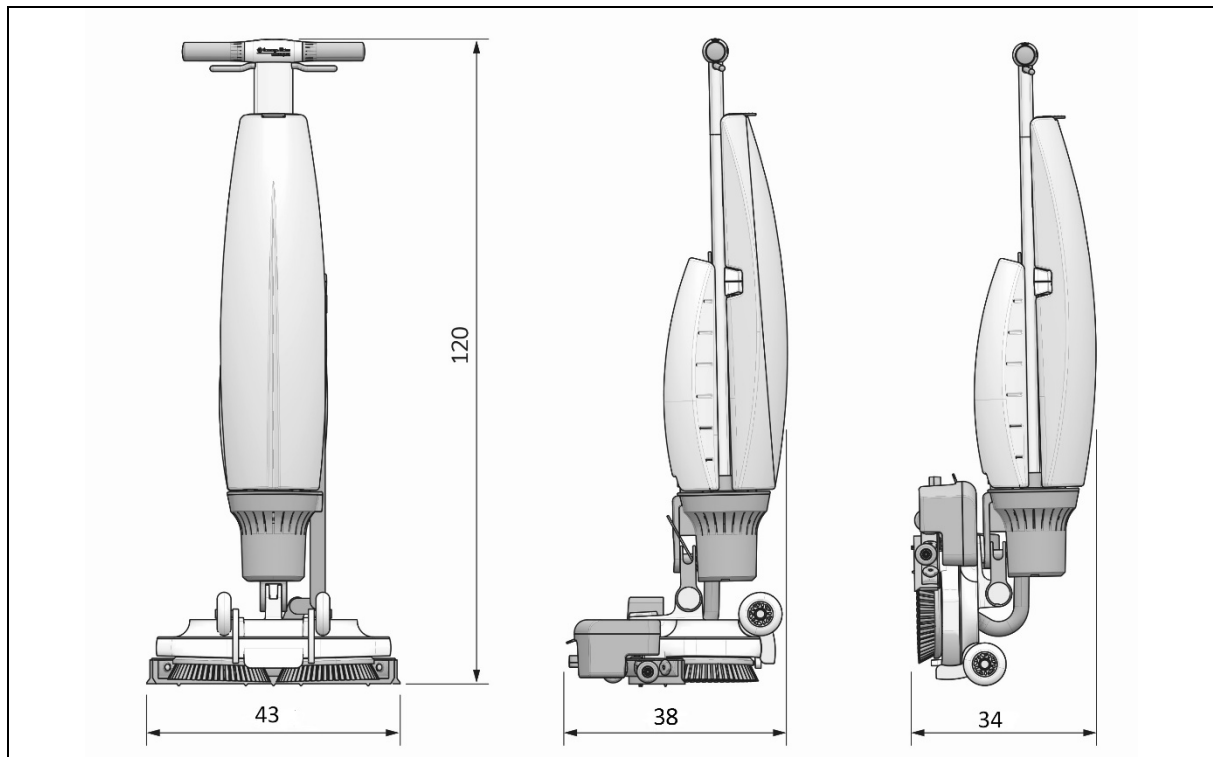


Figure 2

Product size:	120 x 43 x 38 cm
Product size in store position:	120 x 43 x 34 cm
Weight (including Battery):	12.5 kg
Li-on battery:	DC (18V, 12.48Ah, 250Wh)
Battery capacity:	1 Battery
Operation time of batteries:	45 min
Brush pressure:	13 kg
Brush speed:	500 rpm
Solution tank capacity:	3 L
Recovery tank capacity:	5 L / 3 L recommended max
Vibration:	Amplitude (mm) $\leq 0.5086$ Velocity (m/s) $\leq 0.0068$ Acceleration (m/s <sup>2</sup> ) $\leq 1.435$
Noise level (1m):	68 Db
Theoretical performance:	Up to 1400 m <sup>2</sup> per hour
Practical performance:	700 - 1000 m <sup>2</sup> per hour
Castor wheels:	YES
Power cut off at store position:	NO
Angle power cut off:	YES < 32°
Hour counter:	NO
Fluid Shortage Warning:	NO



## 1.6. Warranty

The imop® Lite should be used as intended and described in this manual. Using the imop Lite outside will void the warranty on the product.

## 1.7. Identification

The ID tag, containing a serial number and production number, can be found on the bar behind the wastewater tank.

1. Serial number
2. Production day
3. Production year

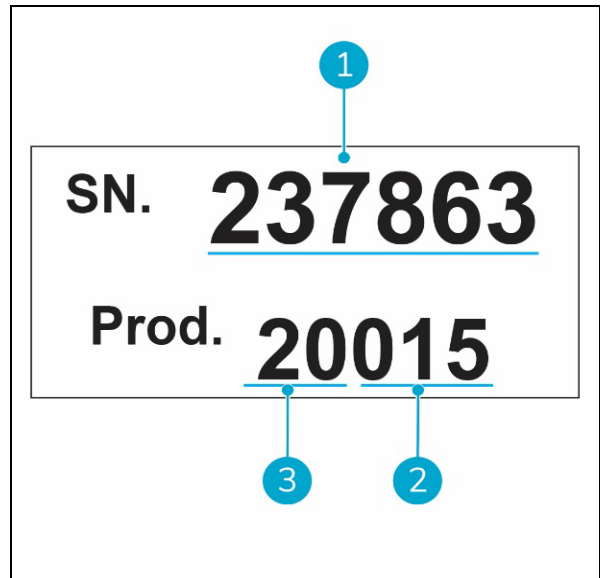


Figure 3



## 2. Description

The compact imop® Lite consists of two main parts:

- The body that contains the motor, cleaning solution tank, recovery tank, handle with triggers and control panel.
- The scrub deck that contains the brushes and squeegee.

The imop Lite can be folded into a store position; this is recommended for storage.

The imop Lite consists of:

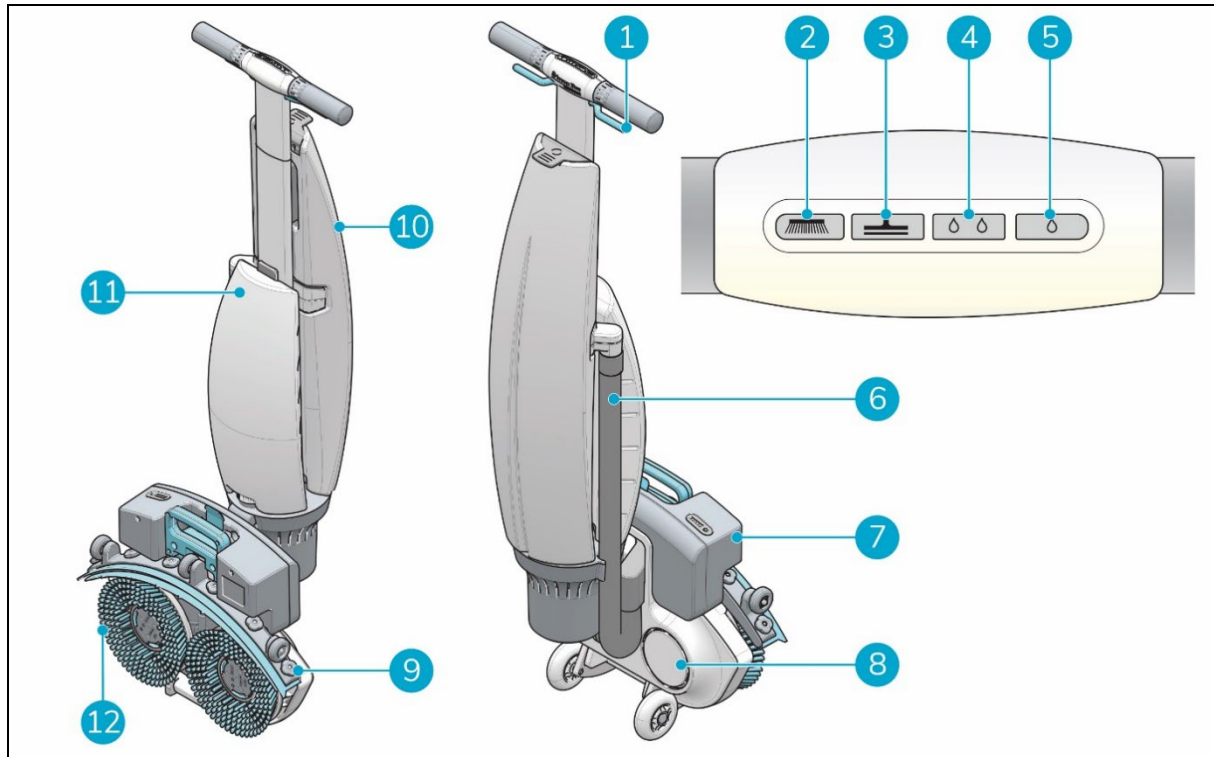


Figure 4

Legend

- |                                     |                      |
|-------------------------------------|----------------------|
| 1. Trigger                          | 7. Battery           |
| 2. Control panel – Brush on         | 8. Scrub deck        |
| 3. Control panel – Vacuum on        | 9. Squeegee          |
| 4. Control panel – High water level | 10. Recovery tank    |
| 5. Control panel – Low water level  | 11. Solution tank    |
| 6. Vacuum hose                      | 12. Rotating brushes |



## 3. Safety

Safety comes first. Therefore, please take your time to read and understand these safety instructions. Improper use can cause harm or void the manufacturer's warranty.

### 3.1. General safety instructions

#### 3.1.1 Sweep before scrub

Remove loose objects from the floor that can be propelled by the rotating brushes.

#### 3.1.2 Brush condition

Make sure to check the condition of the brush before use. Change the brush only when the machine is turned off and in a store position.

#### 3.1.3 Machine orientation

Always keep the body of the imop® Lite in an upright position when inserting cleaning fluid or battery.

#### 3.1.4 antimicrobial tanks

Always keep the antimicrobial tanks of the imop Lite out of direct sunlight. This can cause discoloration.

#### 3.1.5 Strong magnets



##### CAUTION

Please be aware of the integrated magnets that hold the fluid tanks in place and on the scrub deck.



##### WARNING

Operators and maintenance crew wearing pacemakers should keep a minimal distance of 6 in/15 cm.

#### 3.1.6 Battery

Always use the automatic battery charger provided by the manufacturer.



##### CAUTION

During normal operation, the 18V battery cause no safety hazard on their own. Please adhere to the following safety instructions regarding the battery:

- Do not crush, pierce or damage in any way.
- Do not heat or incinerate.
- Do not short-circuit.
- Do not dismantle.
- Keep dry.
- Only charge between 5°C~40°C / 41°F~104°F.
- Only use between 5°C~45°C / 41°F~113°F.



## 3.2. Risks during operation

### 3.2.1 Dress safely

Do not wear a necktie, scarf, or any loose or dangling clothing or jewelry while operating this imop® Lite. These can tangle in rotating parts, causing serious injury or death.

### 3.2.2 Mark the job site



#### WARNING

During operation the cleaning solution can cause slippery patches on the floor. Therefore, it is advised to mark the job site to warn passersby.

### 3.2.3 Careful when parking

Do not park the imop Lite on ramps or slopes. Always park the imop Lite on a level, hard surface.

## 3.3. Risks after operation

### 3.3.1 Remove battery

Remove the battery before executing any cleaning or maintenance task.

### 3.3.2 Machine orientation

Always keep the body of the imop Lite in an upright position when replacing brushes or squeegee.

### 3.3.3 Careful when storing

Do not store the imop Lite on ramps or slopes. Always store the imop Lite on a level, hard surface. Do not store the imop Lite in park position.



## 4. Transport and storage

### 4.1. General



#### CAUTION

Always keep the body of the imop® Lite in an upright position when filling the cleaning solution tank or inserting the battery.

Before storage or transport, drain the machine and remove the battery after each use.

### 4.2. Store position



#### CAUTION

Please be aware of the integrated magnet on the scrub deck.

The store position is the upright vertical position for storage and maintenance tasks.

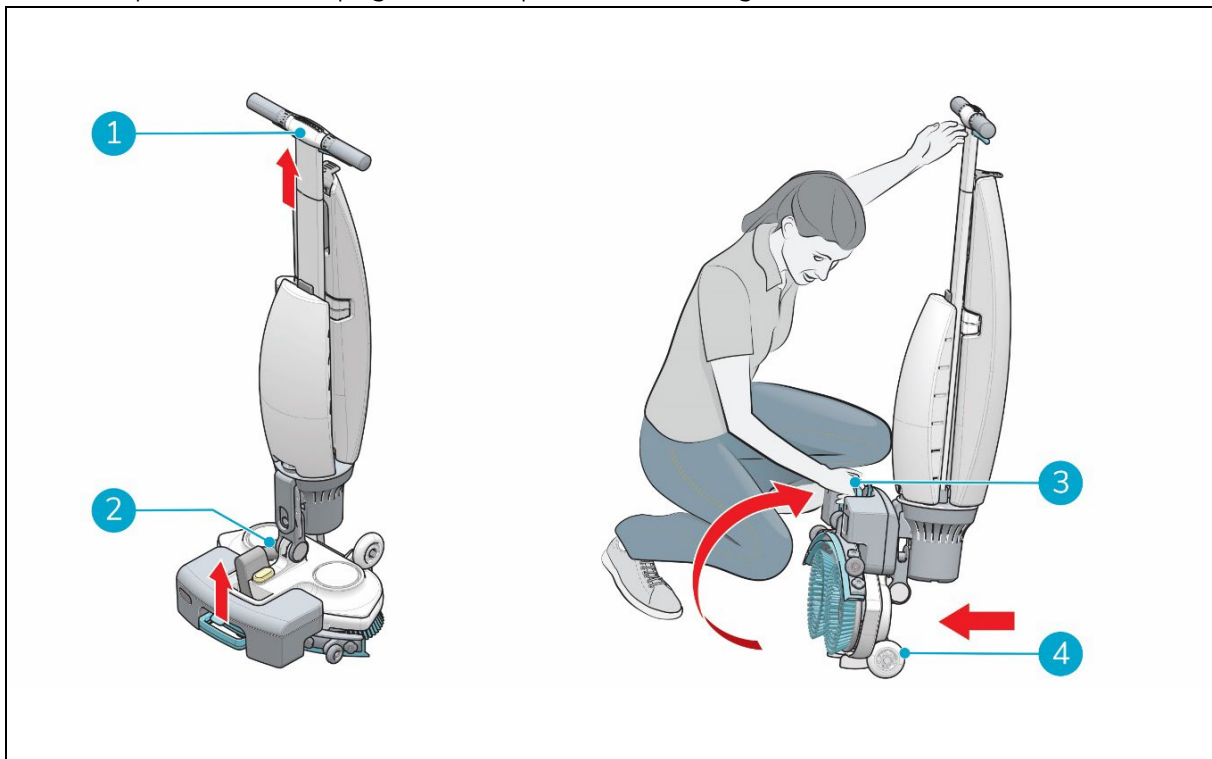


Figure 5

1. Make sure the vacuum hose (Figure 5, pos 2) is pushed back into the machine so it cannot get squeezed.
2. Crouch down and hold the handle (Figure 5, pos 1) with one hand while holding the scrub deck (Figure 5, pos 3) with your other hand.
3. Lift the scrub deck slowly until it stands upright on the front wheels (Figure 5, pos 4). Guide the body towards the scrub deck until it snaps into a resting position.



### 4.3. Transport outside

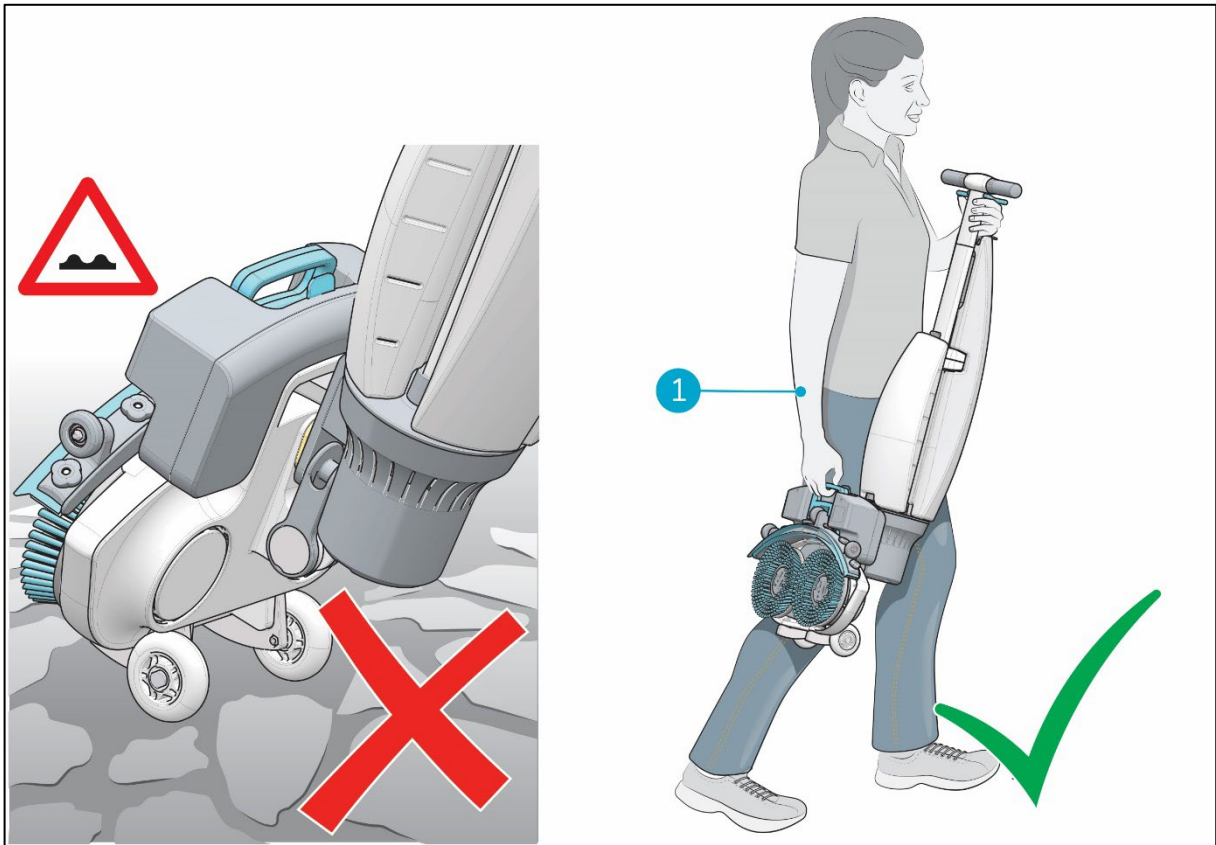


Figure 6

When outside:

1. Put the imop<sup>®</sup> Lite in store position, see section 4.2.
2. Carry the imop Lite with one hand while holding the handle (Figure 6, pos 1) with your other hand.



#### CAUTION

The transport wheels are not designed to roll over dirty surfaces, sand can cause the wheels to block. Lift the imop Lite while moving it from one building to another.





## 4.4. Transport in a vehicle

The preferred way to transport your imop® Lite is in an upright position and safely secured.

1. Make sure both tanks are empty.
2. Put the imop Lite in store position, see section 4.2.
3. Remove the batteries.
4. Lift the imop Lite into the vehicle.
5. Secure the imop using a tension belt or another appropriate restraint (Figure 7, pos 1).

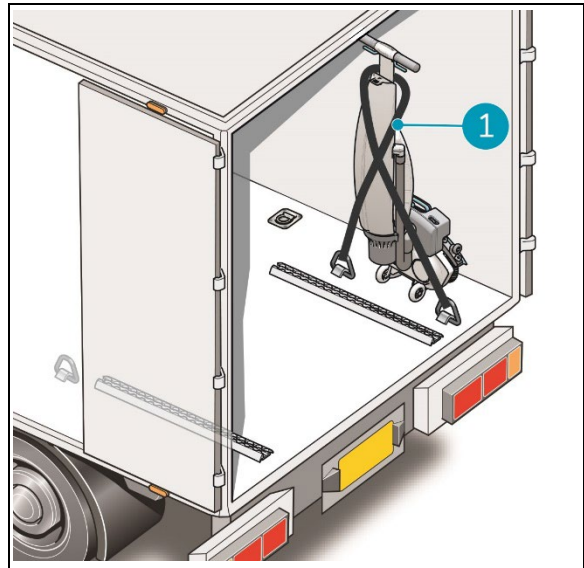


Figure 7

### TIP

The i-stand wall mount accessory can be installed in the back of a truck. It allows you to secure the imop and transport the imop in an upright position. Please contact our sales department for more information.

The imop Lite is a compact machine and fits in the trunk of your car. Before loading the imop Lite into your vehicle, make sure both tanks and the battery are removed.

1. Put the imop Lite in store position, see section 4.2.
2. Remove the battery and both tanks.
3. Set the imop Lite into a horizontal position.
4. Prevent the imop Lite from moving around during transport by using a tension belt or another appropriate restraint.



### CAUTION

The seal of the solution and recovery tank can be damaged during transport in horizontal position. Make sure you remove the tanks before loading the machine into your car. **Improper use will void the warranty.**



## 5. Assembly and installation

The imop® Lite does not require much assembly. Most importantly, you will have to attach the brushes and squeegee.

### 5.1. Unboxing

The imop Lite body is packed in a single box. The battery and charger are delivered in a separate box and can be ordered separately.

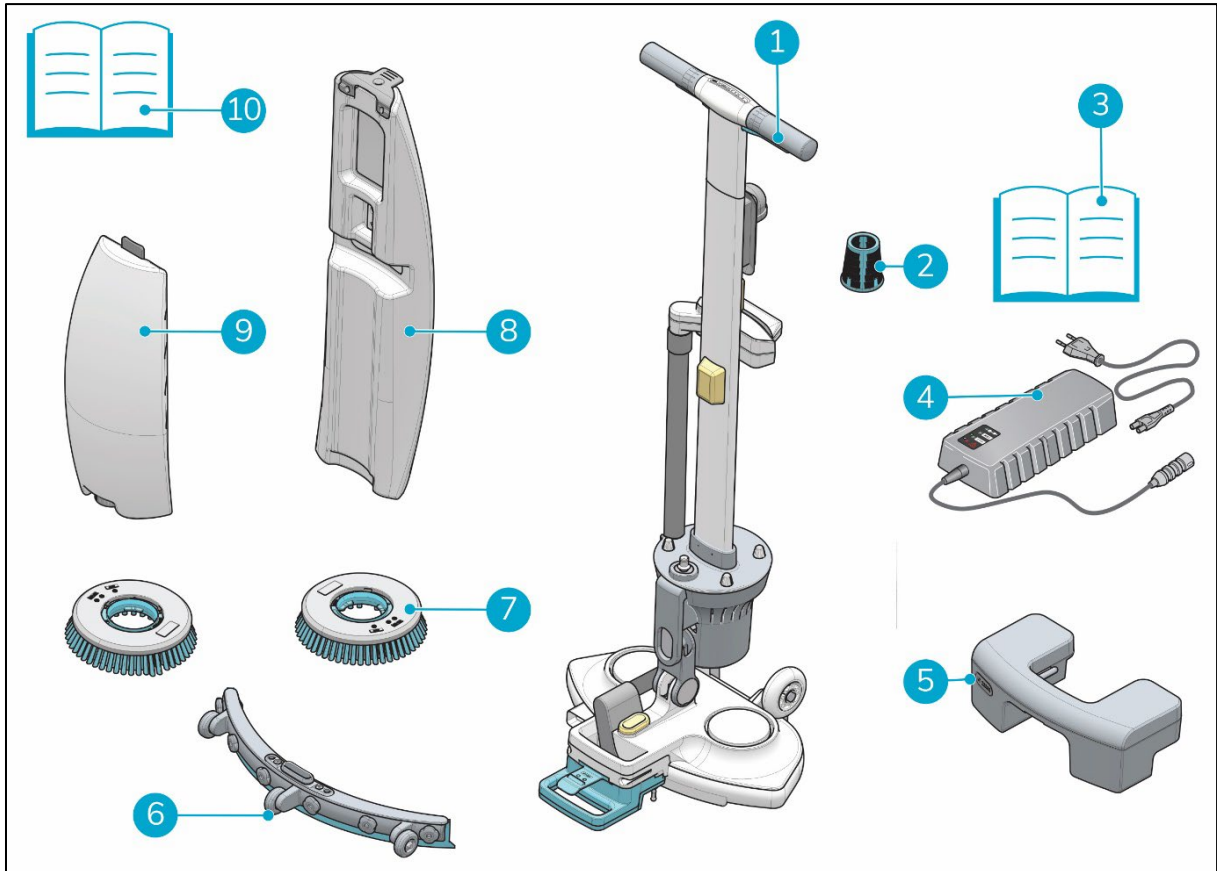


Figure 8

- |   |                              |
|---|------------------------------|
| 1. 1x imop® Lite main body                  | 6. 1x squeegee assembly      |
| 2. 1x suction filter                        | 7. 2x brushes                |
| 3. 1x battery charger manual (when ordered) | 8. 1x recovery tank          |
| 4. 1x battery charger (when ordered)        | 9. 1x cleaning solution tank |
| 5. 1x battery (when ordered)                | 10. 1x this manual           |



## 5.2. Assembly

### 5.2.1 Charging the battery

Charge the battery according to the instructions in the battery charger manual. Make sure the battery is charged regularly.

### 5.2.2 Attaching the brushes

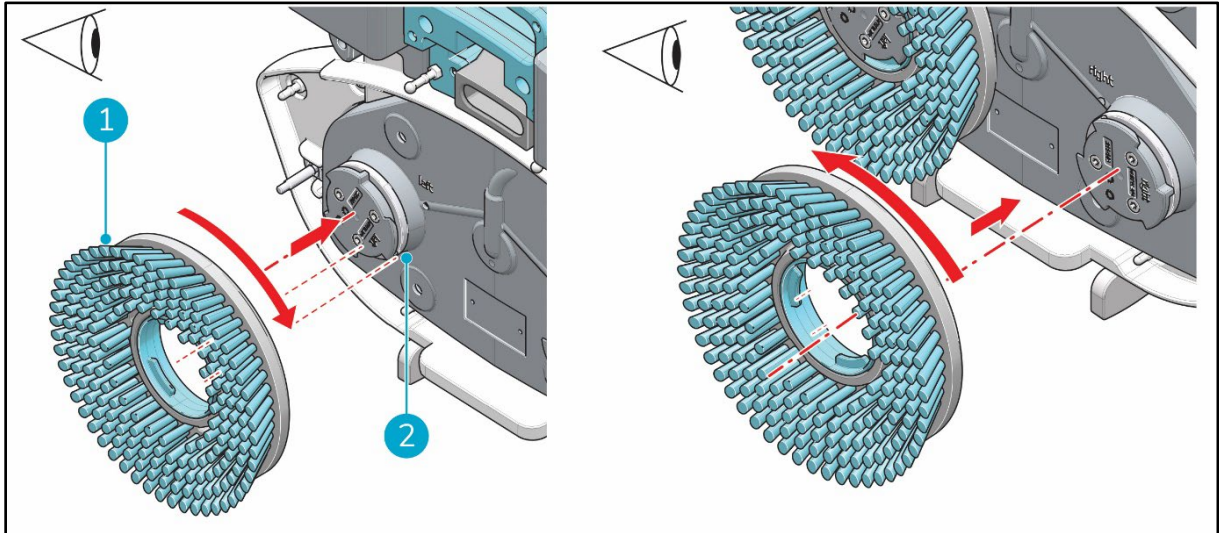


Figure 9

To attach the brushes:

1. Put the imop<sup>®</sup> Lite in store position, see section 4.2.
2. Hold the scrub deck firmly with one hand.
3. Align the left brush (Figure 9, pos 1) with the left motor disk (Figure 9, pos 2). Align the latches and cut-outs in the brush and motor disk.
4. Push the brush on the motor disk.
5. Turn the left brush clockwise until you see the motor disk turning. The brush is now in place.
6. Align the right brush with the right motor disk. Align the latches and cut-outs in the brush and motor disk.
7. Push the brush on the motor disk.
8. Turn the right brush anticlockwise until you see the motor disk turning. The brush is now in place.



### 5.2.3 Attaching the squeegee

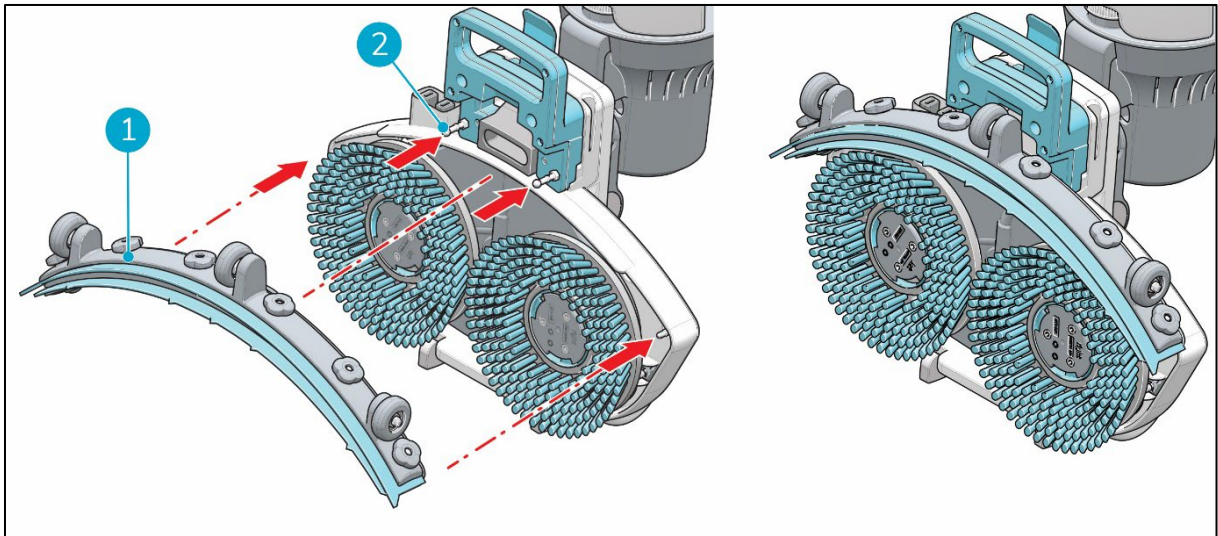


Figure 10

To attach the squeegee:

1. Hold the scrub deck firmly with one hand.
2. Align the pins on the scrub deck (Figure 10, pos 2) with the holes on the squeegee (Figure 10, pos 1).
3. Push the left side of the squeegee in place.
4. Push the right side of the squeegee in place.

### 5.2.4 Installing the cleaning solution tank

1. Put the tank (Figure 11, pos 1) on the imop® Lite with the valve first.
2. Press the tank downward on the nipple (Figure 11, pos 3) to open the valve seal.
3. Push the tank forward into place, the magnet (Figure 11, pos 2) will lock the solution tank in place.

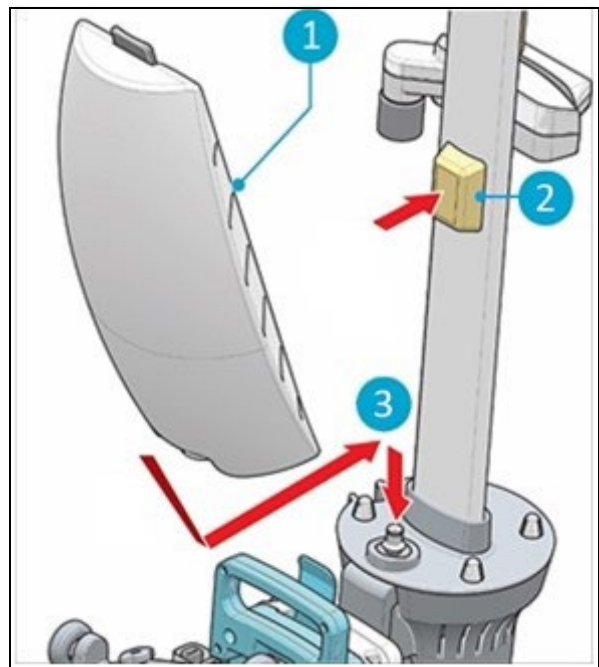


Figure 11



### 5.2.5 Installing the recovery tank

1. Put the tank (Figure 12, pos 1) on the imop® Lite with the bottom first.
2. Position the tank on the nipples.
3. Push the tank in place, the magnet will lock the recovery tank in place.

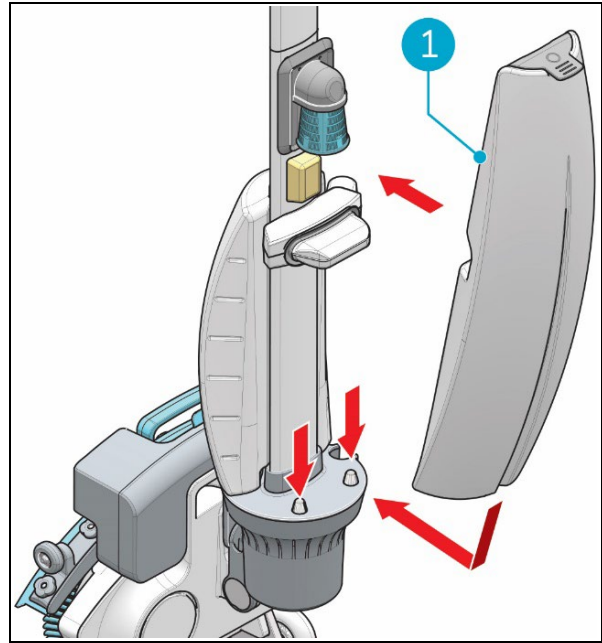


Figure 12



## 6. Operation

### 6.1. Before you start

Check the brushes and squeegee for wear and tear, see chapter 7 for maintenance instructions.

#### 6.1.1 Inserting the battery



#### CAUTION

Only use i-power® batteries specifically designed for use in imop® devices.

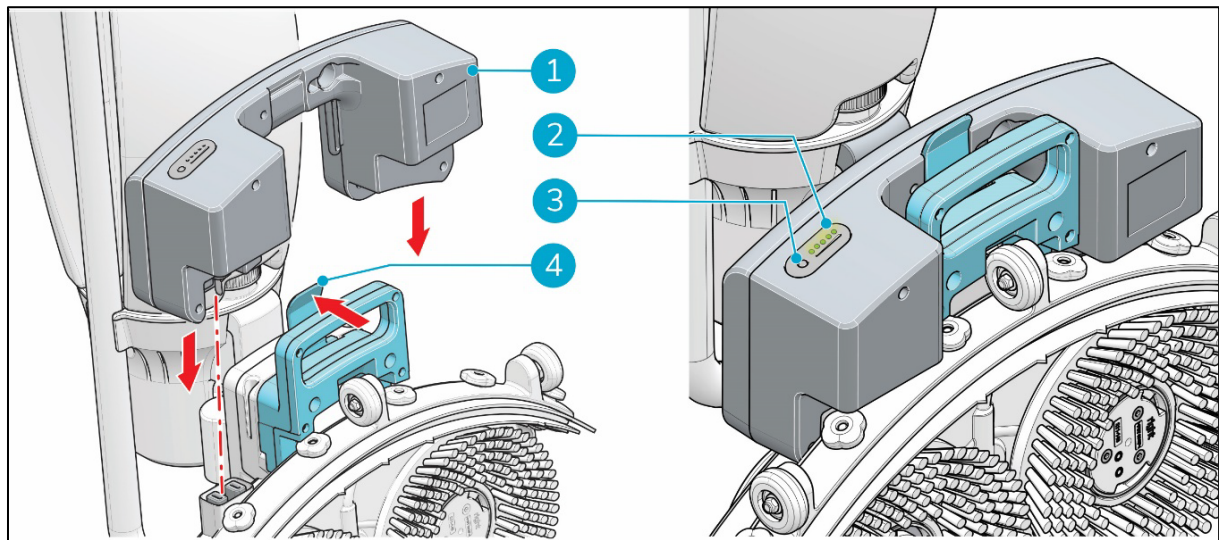


Figure 13

1. Put the imop Lite in store position, see section 4.2.
2. Push the battery (Figure 13, pos 1) in the battery slot. A click indicates that the battery is locked in place by the retaining clip (Figure 13, pos 4).
3. During operation, you can check the amount of power left (Figure 13, pos 2) by pressing the power indicator (Figure 13, pos 3) on the battery.

#### TIP:

It is not recommended to use the battery when charged below 40%.



### 6.1.2 Filling the cleaning solution tank

1. Remove the stopper.
2. Pour in a maximum of 0.79 gal/ 3 L of cleaning fluid.
3. Replace stopper and make sure it seals tightly.
4. Put the imop® Lite in store position, see section 4.2.
5. Put the tank on the imop Lite with the valve first (Figure 14, pos 1).
6. Press the tank downward to break the valve seal.
7. Push the tank in place, the magnet will lock the solution tank in place.
8. Clean your hands afterwards.

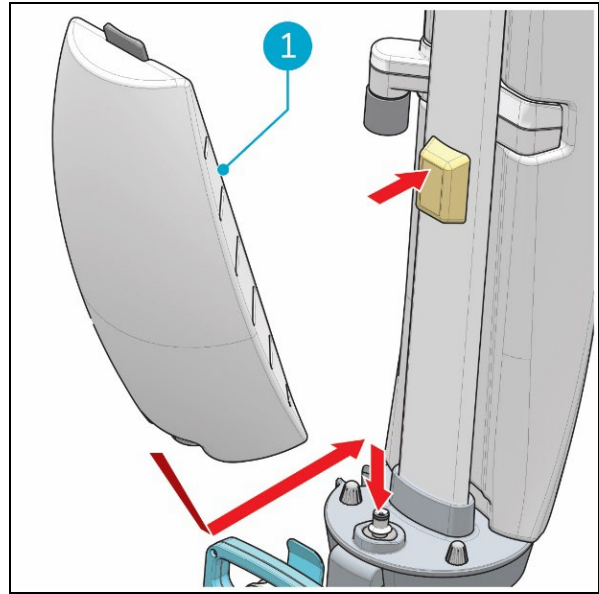


Figure 14



## 6.2. Operation procedure

### 6.2.1 Walking to the job site

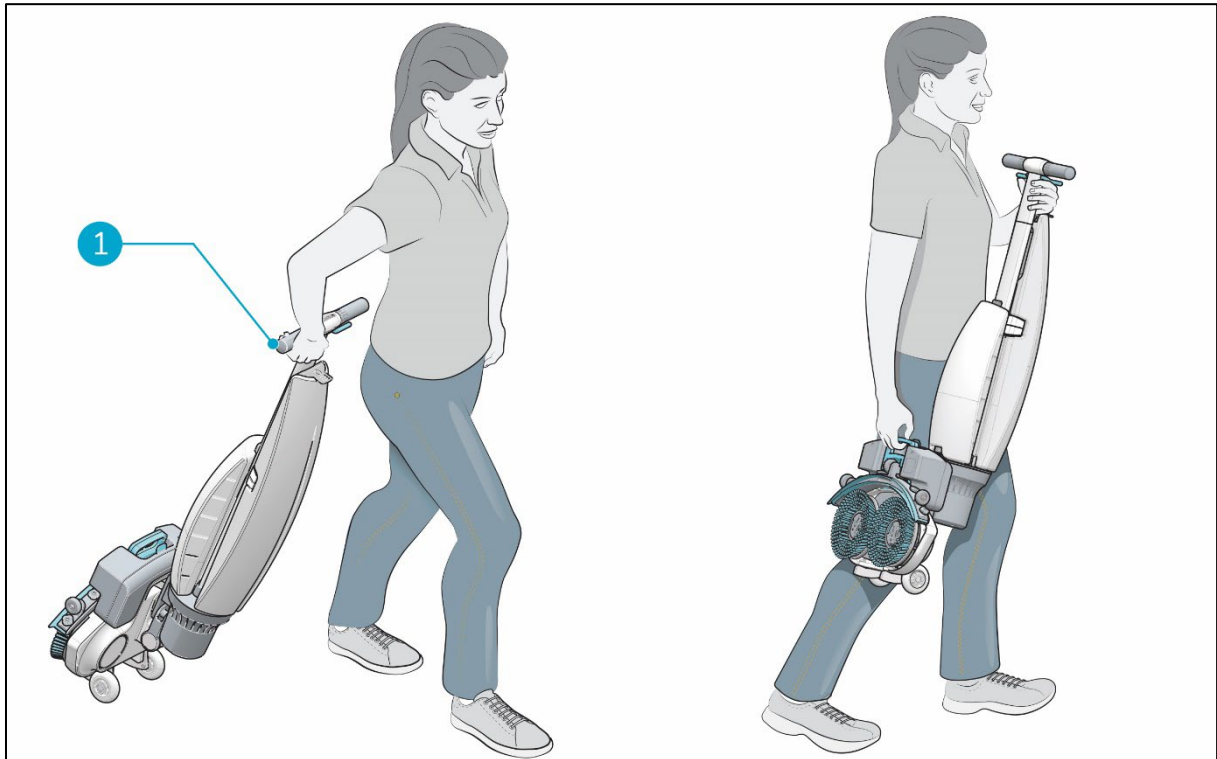


Figure 15

To move the imop<sup>®</sup> Lite from one location to another one in a building:

1. Put the imop Lite in store position, see section 4.2.
2. Hold the handle with one hand (Figure 15, pos 1).
3. Don't forget to bring a wet floor marker.
4. Walk slowly and pay extra attention if you pull the imop Lite over obstacles.
5. To lift the imop Lite over obstacles, always use two hands.
  - Hold the handle with one hand.
  - Lift the scrub deck with the other hand.





### 6.2.2 At the job site

1. Mark the job site using a wet floor marker.
2. Crouch down while holding the scrub deck firmly with one hand (Figure 16, pos 2).
3. Push the handle forward with your other hand (Figure 16, pos 1).
4. Bring the scrub deck slowly down to the floor.

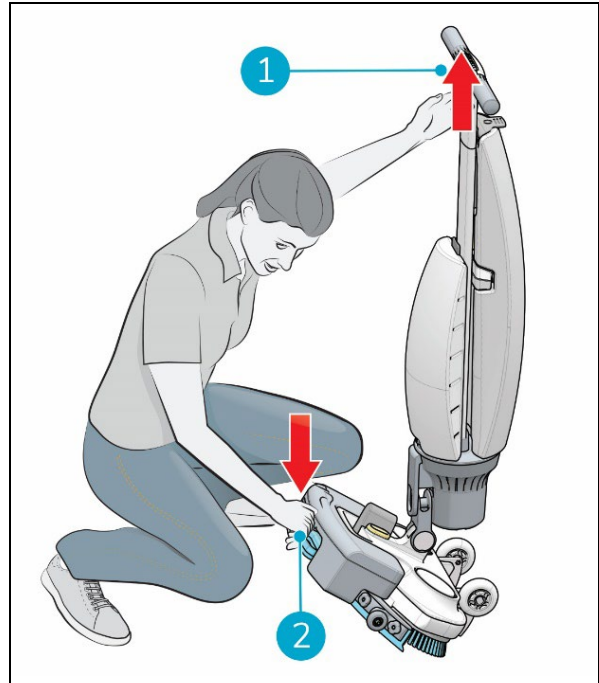


Figure 16



#### WARNING

Never push down the scrub deck with your foot.

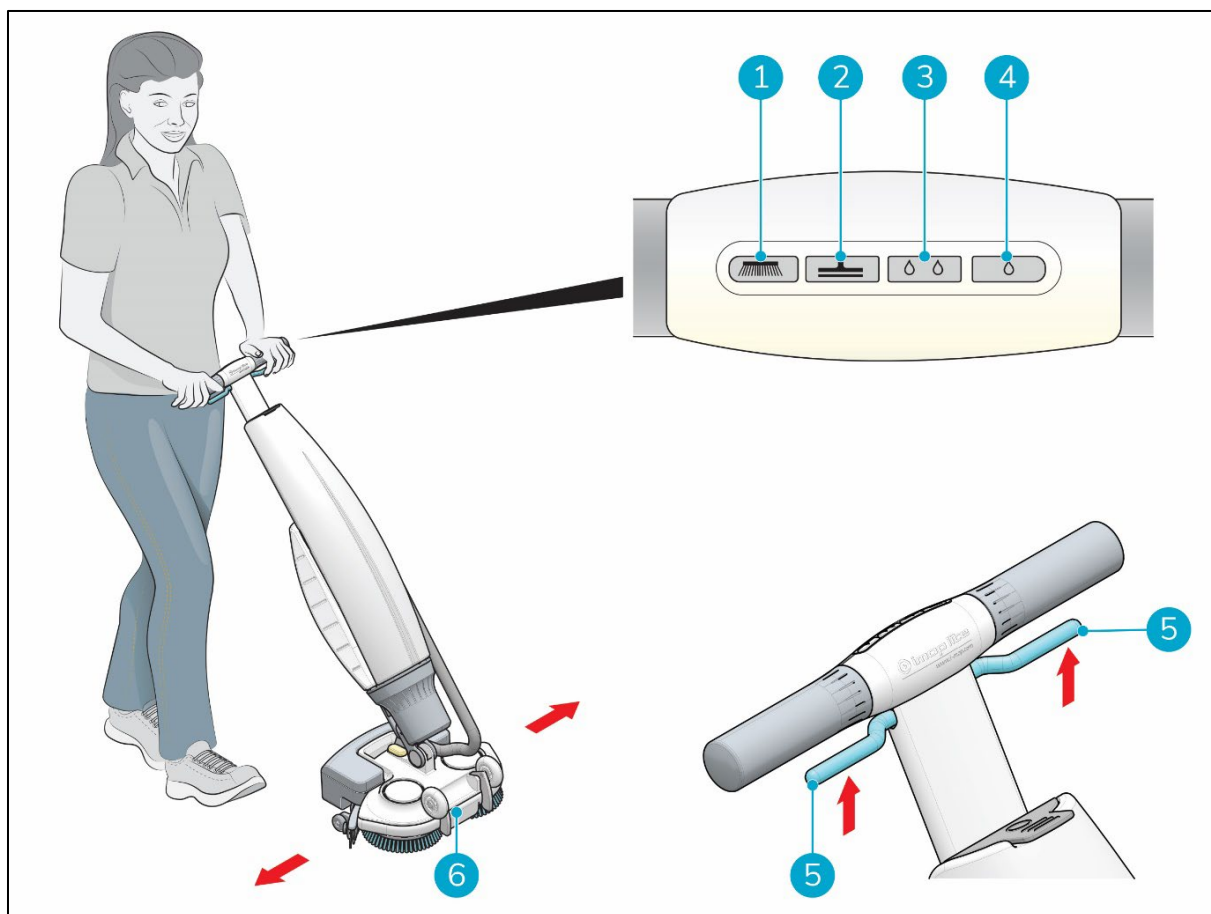


Figure 17

5. Stand behind the imop® Lite. Choose your cleaning mode via the buttons on the control panel (Figure 17, pos 1 to 4). You can select the options independently or combined.

Mode	Press
Brush only	
Vacuum only	
Use cleaning solution	
Use Eco mode	
Brush and cleaning solution	
Brush and cleaning solution and vacuum	
Brush and Eco and vacuum	

6. Hold the handle with both hands.
7. Squeeze the trigger on the handle (Figure 17, pos 5). This will also start the imop Lite
8. Once the trigger is squeezed the imop Lite will move forward.
9. Walk behind the imop Lite.
10. Steer by gently turning the handle left or right to move the scrub deck (Figure 17, pos 6).
11. Releasing the trigger (Figure 17, pos 5) will immediately stop the imop Lite. The vacuum motor will stop after 3 seconds.



### TIP: Learn to swivel

Operating the imop® Lite is very intuitive and like steering a bicycle. The imop Lite is designed to move forward. To turn, stop walking and use your inside hand (the hand in the direction you want to go to) to turn the handle. The imop Lite can swivel 360 degrees making it possible to reverse direction.



### WARNING

Do not operate the imop Lite at more than an arm's length. Operating below a 45-degree angle can cause water to run into the vacuum engine.

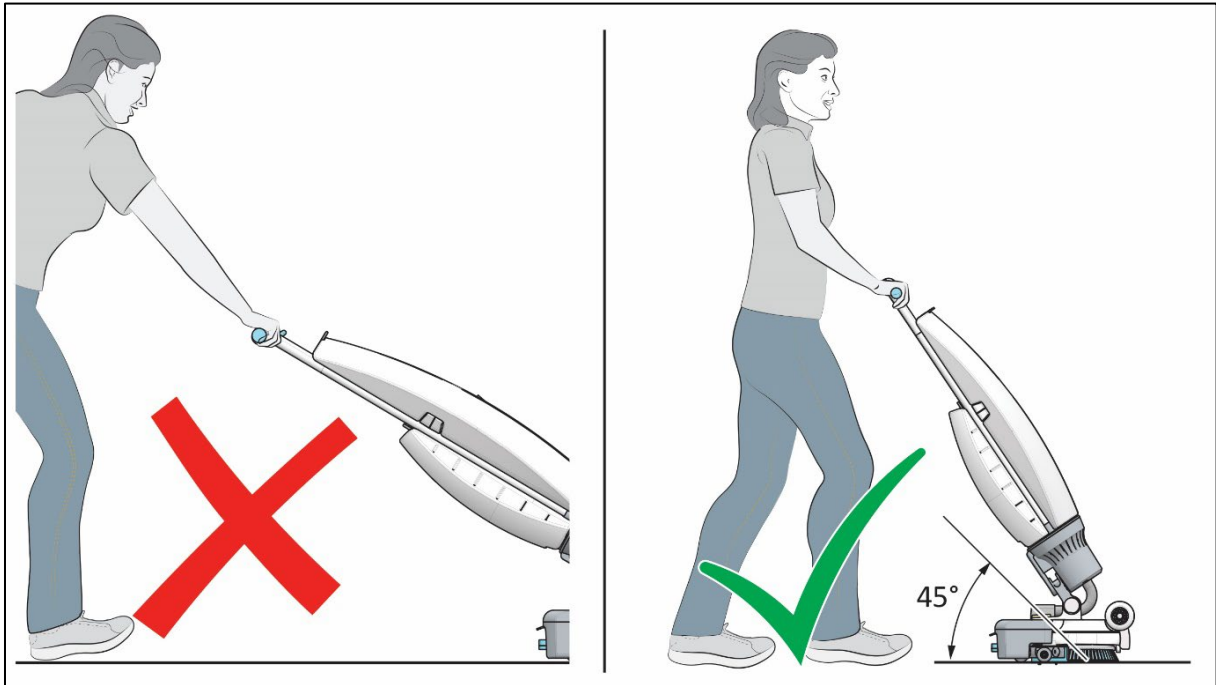


Figure 18



### 6.2.3 ECO mode

The ECO mode will use 40% less cleaning solution.

1. Turn on the ECO mode by pushing the ECO button (Figure 19, pos 1).
2. Turn off ECO mode by pushing the ECO mode again.

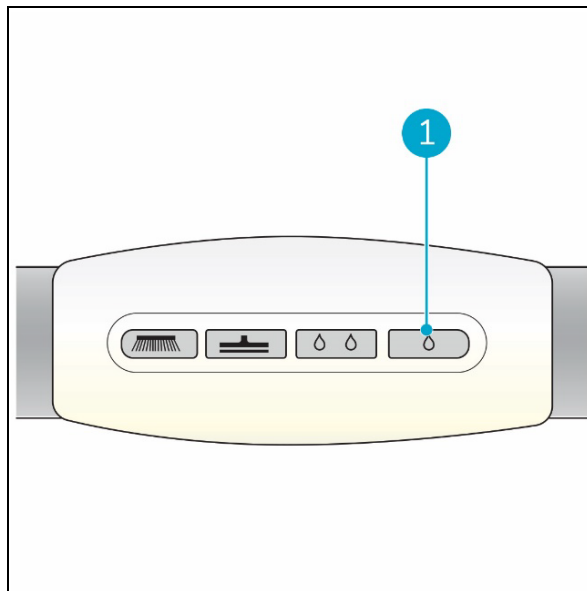


Figure 19

### 6.2.4 Turning off the imop® Lite

Releasing the trigger (Figure 20, pos 1) will automatically stop the imop Lite.

Note that the vacuum motor will continue to run for approximately 3 more seconds.

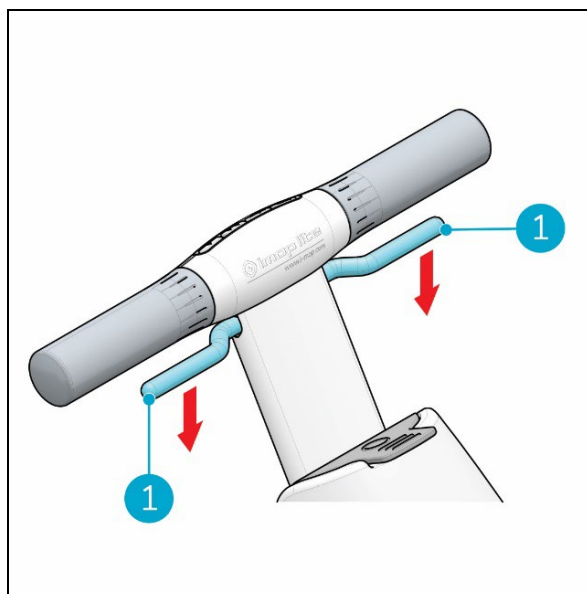


Figure 20

### 6.2.5 Emptying tanks

Dispose of water or cleaning solution from both tanks in an appropriate drain. Even though the recovery tank is bigger, empty it each time the cleaning solution tank is filled.



#### WARNING

Please observe the local provisions regarding solution disposal related to wastewater treatment.



## 6.3. Cleaning and storage

### 6.3.1 Flushing the system

Be sure to flush the tanks out completely to discard any remaining solution in the lines and valves:

1. Refill the solution tank with 2 to 4 cups / 0.5 to 1 liter of clean water.
2. Press the Brush and Cleaning solution and Vacuum buttons on the control panel.
3. Use the trigger to start the imop Lite and allow it to flush the system.

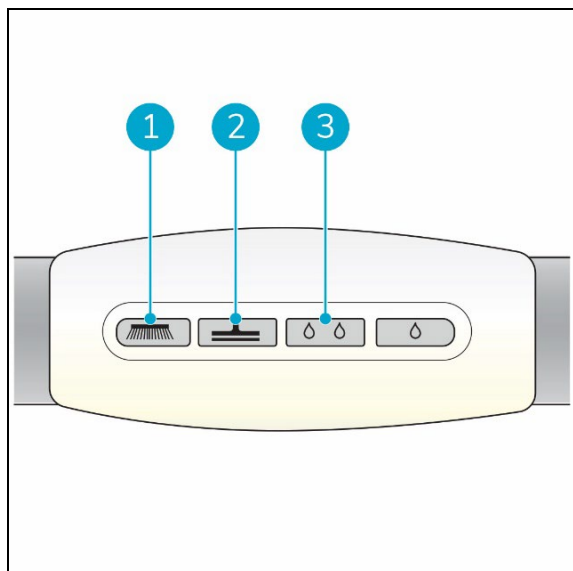


Figure 21

### 6.3.2 Cleaning the tanks

1. Dispose of water or cleaning solution from both tanks in an appropriate drain.
2. To clean the recovery tank thoroughly:
  - Partially fill the tank with fresh water and hold it horizontally with the holes facing up.
  - Tilt the tank repeatedly, thoroughly rinsing all the dirt and debris out from the tank.
3. To clean the solution tank, follow the same procedure.

#### **TIP: Dry the tanks**

Slightly open both tank caps before storage to allow the tanks to dry.

### 6.3.3 Cleaning the filter

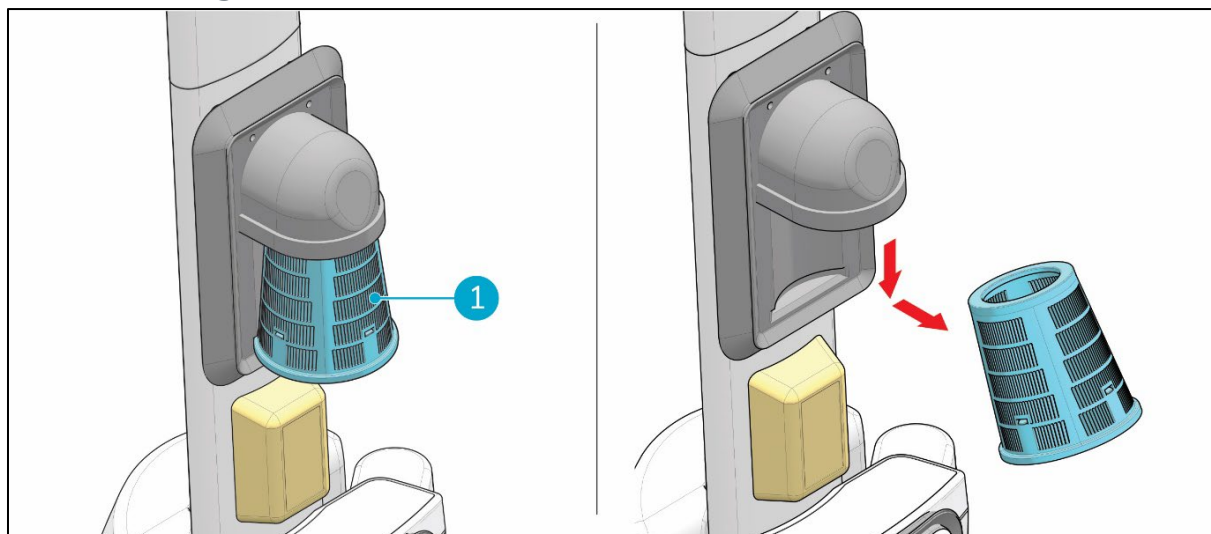




Figure 22

1. Put the imop® Lite in store position, see section 4.2.
2. Remove the recovery tank.
3. Release the blue suction filter (Figure 22, pos 1) from beneath the rubber holder by tilting it slightly and pulling it out.
4. Clean the filter.
5. Place the filter back in the rubber holder.
6. Put the recovery tank back on the machine.

### 6.3.4 Removing the battery

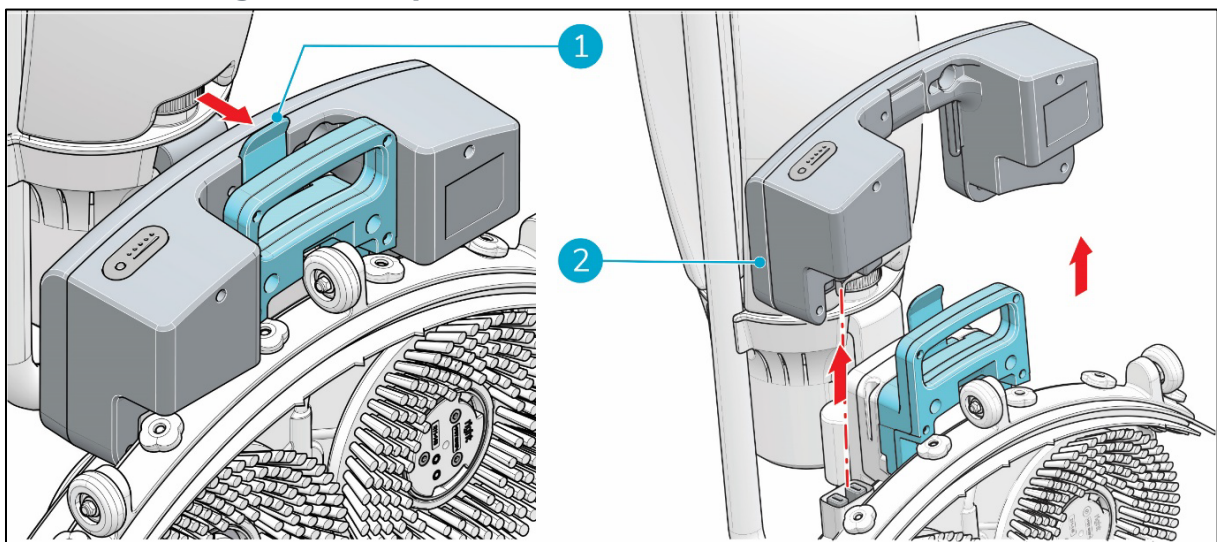


Figure 23

1. Put the imop Lite in store position, see section 4.2.
2. Hold the imop Lite by the scrub deck to stabilize.
3. While pressing the retaining clip inwards (Figure 23, pos 1), pull the battery away (Figure 23, pos 2).
4. When the imop Lite isn't used regularly, store the charged battery in a dry, clean place.
5. Make sure the battery is charged monthly.

### 6.3.5 Checking the brushes and squeegee

1. Check to see if both brushes are clean and intact, see section 7.1 for removal instructions.
  - Clean them under fresh water or replace them if necessary.
  - Replace brushes if the yellow wear indicator is the same height as other bristles.
2. Check to see if the squeegee is clean and intact, see section 7.2 for removal instructions.
  - Clean it with fresh water and wipe it with a clean, damp cloth.
  - Replace the squeegee blades when necessary.



### 6.3.6 Store in an upright position

1. Please ensure that the imop® Lite is stored in a place where nobody can bump into it.
2. Put the imop Lite in store position, see section 4.2.
3. Store the imop Lite close to a wall (Figure 24, pos 1) with the handle pointing facing away from the wall and the brushes towards the wall.

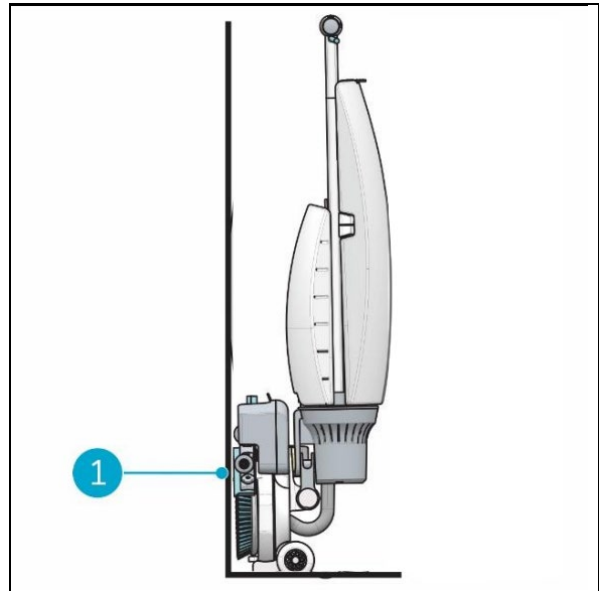


Figure 24



## 7. Maintenance



### CAUTION

Remove the battery before executing any cleaning or maintenance task.



### CAUTION

Always keep the body of the imop® Lite in an upright position when replacing the brushes or the squeegee.

### 7.1. Brush replacement

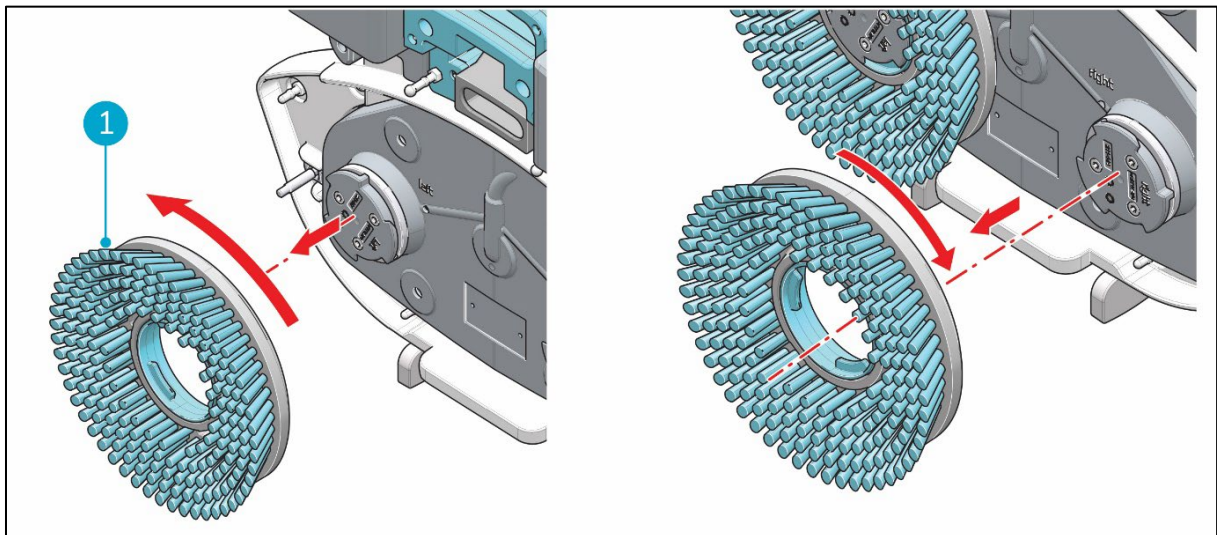


Figure 25

The brushes are attached to the scrub deck with a bayonet fitting.

1. Put the imop Lite in store position, see section 4.2.
2. Hold the scrub deck firmly with one hand.
3. Using your other hand to turn the left brush (Figure 25, pos 1) anticlockwise until you feel resistance or see the motor disk turning as well.
4. Pull the brush towards you, off the motor disk.
5. Turn the right brush clockwise until you feel resistance or see the motor disk turning as well.
6. Pull the brush towards you, off the motor disk.
7. Visually inspect the motor disks.
8. Clean the imop Lite scrub deck with a clean, dry cloth before you install the brushes.





## 7.2. Squeegee replacement

The squeegee blades come in pairs and wear out over time. When you notice the floor is no longer being dried properly, replace the squeegee blades.

### 7.2.1 Detaching the squeegee

1. Put the imop® Lite in store position, see section 4.2.
2. Hold the scrub deck firmly with one hand.
3. Pull on the left side of the squeegee (Figure 26, pos 1) to remove it.
4. Pull on the right side of the squeegee to remove it.
5. Remove the vacuum hose from the squeegee by twisting the hose.

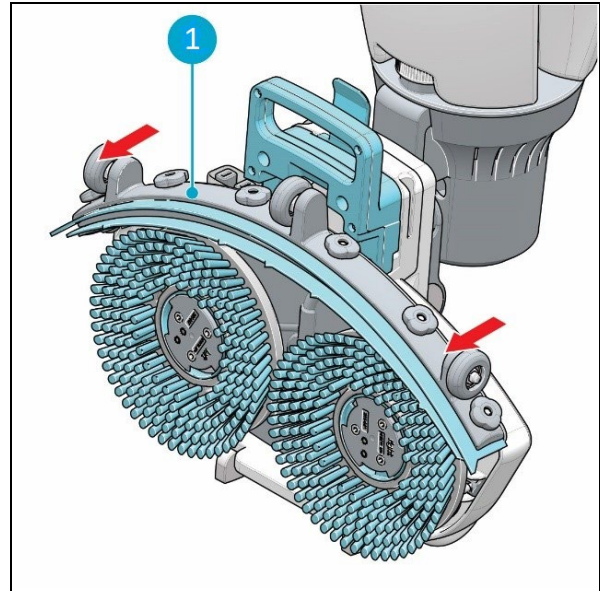


Figure 26

### 7.2.2 Flipping/replacing the squeegee blade

1. Unscrew the 6 plastic nuts on the back.
2. Take off the squeegee rear plate.
3. Once the plastic part is removed, you can easily take off the rear rubber blade.
4. Push the 6 screws through the front blade in order to remove the squeegee front plate.
5. Take off the rear rubber blade.
6. Inspect the front and rear rubber blades:
  - The first time: flip the blades so the top of the blade is now facing the floor. Push the front plate screws through the holes.
  - The second time: attach a new set of blades. Push the front plate screws through the holes.



#### CAUTION

The special squeegee blades that contain small arrow-like shapes cannot be switched. These need to be replaced every time.

7. Put back the plastic rear plate.
8. Screw the 6 plastic nuts on the back.



### 7.2.3 Attaching the squeegee

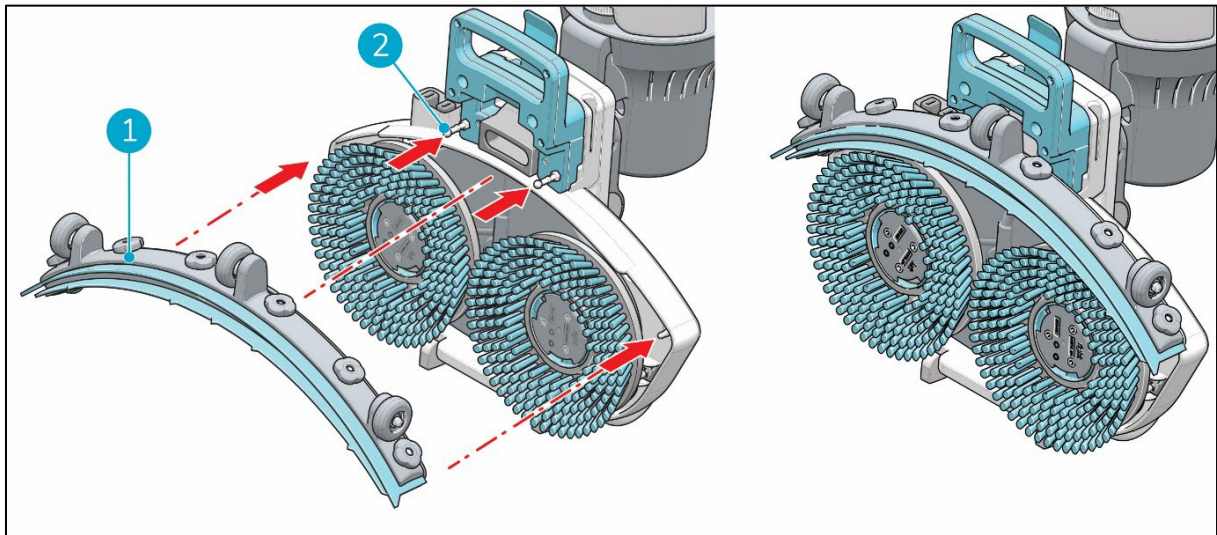


Figure 27

To attach the squeegee:

1. Hold the scrub deck firmly with one hand.
2. Align the pins on the scrub deck (Figure 27, pos 2) with the holes on the squeegee (Figure 27, pos 1).
3. Push the left side of the squeegee in place.
4. Push the right side of the squeegee in place.

### 7.3. Replacing the vacuum hose

1. Detach the squeegee as described in 7.2.1.
2. Remove the solution tank and the recovery tank. You can see where the vacuum hose is connected at the imop® Lite handle.
3. Hold the scrub deck firmly with one hand.
4. Remove the hose connector from the scrub deck.
5. Detach the vacuum hose from the connector by twisting the hose 1/4 turn.
6. Remove the vacuum hose from the imop Lite.
7. Now you can carefully pull the vacuum hose from the handle and unscrew the hose connector.
8. Place the new hose by following the above steps in reversed order.
9. Reinstall the squeegee.

### 7.4. Recommended additional cleaning

Clean the exterior of the imop Lite weekly with a non-abrasive, non-solvent cleaner or a clean, damp cloth. To clean the scrub deck, remove the brushes.



## 7.5. Recommended service time

Service must be done by one of our service partners. The first service is recommended after 200 hours. It is recommended to schedule a full service every 500 hours.

## 7.6. Accessories

The imop® Lite can be equipped with different brushes and polishing pads. The use of these accessories is only allowed by experienced and trained operators as some polishing pads can be abrasive and can cause damage to the floor surface when applied incorrectly. For more information please contact our sales department, or the partner who provided the imop Lite.



## 8. Troubleshooting

<b>Problem</b>	<b>Cause</b>	<b>Solution</b>
<b>No power</b>	No battery	Insert battery
	Empty battery	Charge battery
	Battery incorrectly placed	Remove and reinstall battery
<b>Insufficient/no water flow</b>	Wrong program	Check the operating mode on the control panel
	Eco mode on	Check the ECO mode light on the control panel
	Empty tank	Fill the tank
	Tank incorrectly placed	The tank valve must be clicked on the nipple to open the seal, replace the tank
	Filter blocked	Ensure the solution tank has no dirt particles and the filter is clean
	Blocked water pipe	Request for service
<b>Poor water recovery</b>	Squeegee opening blocked	Remove the pipe and clean the squeegee opening
	Tears in squeegee blades	Replace squeegee blades
	Filter blocked	Check the yellow filter and clean if necessary
	Vacuum hose blocked	Check and remove blockage
	Vacuum pump not running	Request for service
<b>Leakage</b>	Tanks incorrectly placed	Check and reattach fluid tanks
	Tear in vacuum hose	Replace vacuum hose or request for service
<b>Battery not charging</b>	Battery is at end of life	Replace battery



## 9. Decommissioning and disposal



### ATTENTION

It is the responsibility of the imop® Lite owner to dispose of the product responsibly.

After decommissioning, the imop Lite still contains valuable resources and needs to be disposed of according to your local laws and regulations regarding recycling of electrical equipment.



Before disposal please:

1. Flush the machine, see section 6.3.1.
2. Remove the battery for separate disposal, see section 6.3.4.

### TIP:

Alternatively, keep the batteries for use in another piece of i-team equipment.

3. Remove all loose components like brushes, tanks and squeegee.
4. Dispose all items according to your local laws and regulations.



## 10. Attachments

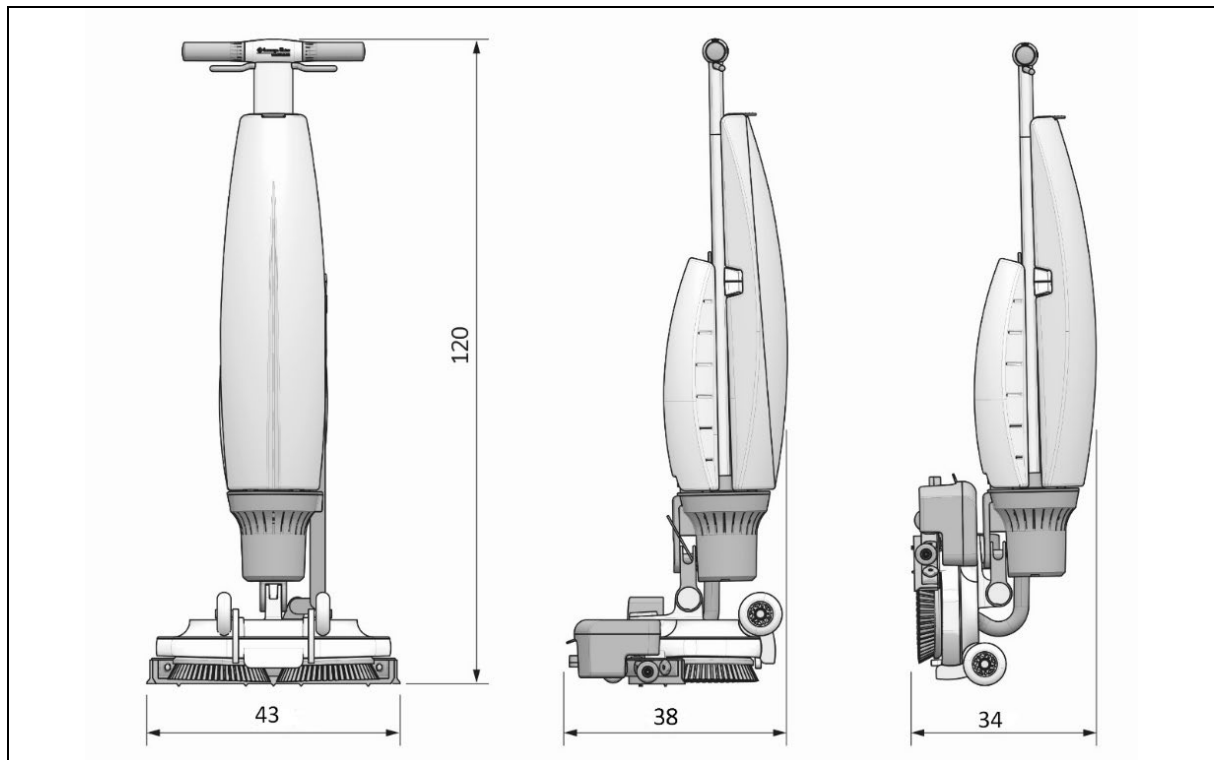
### 10.1. CE Certificate

<b>C E R T I F I C A T E</b> of Conformity EC Council Directive 2014/30/EU Electromagnetic Compatibility		 <b>TÜVRheinland®</b>
<b>Registration No.:</b>	<b>AE 50408406 0001</b>	
<b>Report No.:</b>	<b>50127657 001</b>	
<b>Holder:</b>	<b>Future Cleaning Technologies (FCT) B.V Hoppenkuil 27A 5626 DD Eindhoven Netherlands</b>	
<b>Product:</b>	<b>Floor Cleaning Machine (i-mop)</b>	
<b>Identification:</b>	XL    XXL  Serial No.: n.a.  Remark    : Refer to test report 50127657 001 for details.	
<b>Tested acc. to:</b>	EN 55014-1:2006+A1+A2 EN 55014-1:2017 EN 55014-2:1997+A1+A2 EN 55014-2:2015	
<p>This certificate of conformity is based on an evaluation of a sample of the above mentioned product. Technical Report and documentation are at the Licence Holder's disposal. This is to certify that the tested sample is in conformity with all provisions of Annex I of Council Directive 2014/30/EU. This certificate does not imply assessment of the production of the product and does not permit the use of a TÜV Rheinland mark of conformity. The holder of the certificate is authorized to use this certificate in connection with the EC declaration of conformity according to the a.m. Directive</p>		
<b>Date</b> <u>20.06.2018</u>	 <b>Dono Zhou</b>	
<b>TÜV Rheinland LGA Products GmbH - Tillystraße 2 - 90431 Nürnberg</b>		
<b>CE</b> The CE marking may only be used if all relevant and effective EC Directives are complied with. <b>CE</b>		

1000012 04.08 © TÜV, TÜV and TÜV are registered trademarks. Issuance and application requires prior approval.



## 10.2. Specifications



Product size:	120 x 43 x 38 cm
Product size in store position:	120 x 43 x 34 cm
Weight (including Battery):	12.5 kg
Li-on battery:	DC (18V, 12.48Ah, 250Wh)
Battery capacity:	1 Battery
Operation time of batteries:	45 min
Brush pressure:	13 kg
Brush speed:	500 rpm
Solution tank capacity:	3 L
Recovery tank capacity:	5 L / 3 L recommended max
Vibration:	Amplitude (mm) $\leq$ 0.5086 Velocity (m/s) $\leq$ 0.0068 Acceleration (m/s <sup>2</sup> ) $\leq$ 1.435
Noise level (1m):	68Db
Theoretical performance:	Up to 1400 m <sup>2</sup> per hour
Practical performance:	700 - 1000 m <sup>2</sup> per hour
Castor wheels:	YES
Power cut off at store position:	NO
Angle power cut off:	YES $<$ 32°
Hour counter:	NO
Fluid Shortage Warning:	NO



## 10.3. The i-Story

It's not just about cleaning machines.

It's about the well-being of people and the planet.

We are stoked about cleaning, thrilled about sustainability and wholeheartedly dedicated to keep on innovating.

We believe effective cleaning is more than Just' the removal of soil. It means ensuring the health and safety of people, while making the job easier, simpler, more efficient and even fun. It means consistent results all over the world, while protecting the world. And it means creating partnerships to grow our global force for better cleaning. After all, it takes a team.

The i-team.

### Made Blue

By operating i-mops, your partners, clients and users lower the water footprint whilst contributing positively to the availability of water in the world. Every day an i-mop is turned on, Made Blue simultaneously ensures someone else on the planet gets access to clean water. For every liter that the i-mop uses in operations, the i-team and Made Blue mirror clean drinking water in a developing country. The planet is a beautiful place with over 7 billion people. Humans need water to live, breathe, and enjoy their lives. Worldwide 2,7 billion people suffer from a shortage of drinking water. For 780 million people this situation is permanent each year 3,5 million people die because of this. That's why Made Blue invests in projects in developing countries. We are a proud partner of Made Blue. Made Blue mirrors the water used by i-team to create clean water in developing countries. 1 liter for 1 liter.



**MADE BLUE**



Access to clean water for All.









**i-team Professional b.v.**

Hoppenkuil 27b, 5626 DD Eindhoven, The Netherlands

---

Telephone: +31402662400

Email: [hello@i-teamglobal.com](mailto:hello@i-teamglobal.com)

Internet: [www.i-teamglobal.com](http://www.i-teamglobal.com)

