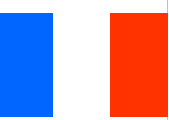


MY NAME IS
i-Vac 4B MOVE



DUTCH
TECHNOLOGY
INSIDE



22.0094.830
K.10.22.0094.830
K.100.22.0094.830



K.1.S.220107.2047



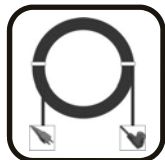
K.1.22.9045.610_32



K.1.S.57.0045.0/IME



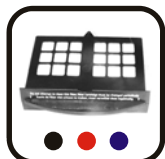
K.1.S.02.0031.5



K.1.03.0026.15



K.1.02.0032.5



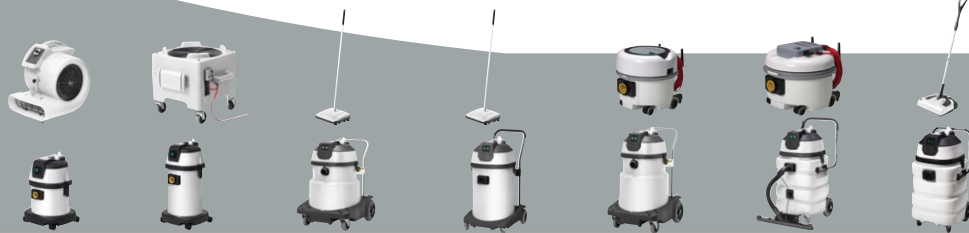
K.1.77.0012.0 [BLACK]
K.1.77.0012.1 [RED]
K.1.77.0012.701 [BLUE]



K.1.02.0040.5



K.1.S.02.0001.357/797





About the Machine

Logo **i-move** Dry use only

Machine Description **I-VAC 4B MOVE DC24V 32MM**

Machine Code Production code: **IME.I-V.XXXXX**

Company & Address **Model: I-MOVE**
Serial no.:








Distributed by:
i-Team Global
Hoppenkuil 27 b
5626 DD
Eindhoven, NL
www.i-teamglobal.com

Class 2 Symbol

CE Mark WEEE Logo
Serial No. Code

Personal Protective Equipment

PPE
that maybe required for certain operations. See manual in standard use not applicable.

NOTE: A risk assessment should be conducted to decide what PPE should be worn.

Technical Specifications

Voltage	25.2Volt	Weight (product)	6.5 kg
Motor	450 Watt	Height	410 mm
Material	PP	Diameter accessories	32 mm
Suction Power	1260 mm H ₂ O	Capacity (paper bag)	5 Ltr
Air Speed	12L/sec	CBM	0.042
Sound Level	62 dB		



(ORIGINAL INSTRUCTIONS)
READ MANUAL BEFORE USE

Information for Dry Use Vacuum Cleaners



WARNING:

- * Read the instruction manual carefully before using the machine.
- * Operators must be adequately instructed on the use of this machine.
- * As with all electrical equipment, always pay care and attention while in use!
- * In addition, make sure that routine and preventive maintenance is carried out periodically to ensure safe operation. Failure to carry out maintenance as necessary, including the replacement of parts to the correct standard could render the equipment unsafe and the manufacturer can accept no responsibility or liability in this respect.
- * Maintenance should only be carried out by qualified personnel.
- * This machine is for DRY USE only and must not be stored outside or used in wet conditions.
- * BEFORE cleaning or maintenance and when replacing parts. This appliance is intended to be assembled, cleaned, and maintained by an adult.
- * The machine must not to be used by persons with reduced physical, sensory, or mental capabilities, or lack of experience or knowledge, unless they have been given supervision or instruction.
- * This machine is not a toy; children should not play with this machine.



CAUTION:

- * This machine is not suitable for picking up hazardous or explosive dust - Contact your local distributor if you require a machine capable of performing these tasks.
- * Ensure that the filtration system fitted to the machine is suitable for the material being collected.
- * This vacuum cleaner is intended for indoor use for the collection of dry materials.
- * This machine must not be stored outside, or used in wet environments, or to collect wet materials.
- * The vacuum cleaner should be stored in a dry place and is for indoor use only.

NOTICE

- * This machine is suitable for commercial use, for example in hotels, schools, hospitals, factories, shops, and offices for other than normal housekeeping purposes.
- * The vacuum cleaner should be inspected after use for damage.
- * This machine is not suitable for the collection of biological hazards, hazardous, or explosive dusts.



- * Keep your machine clean including hoses and tubes.
- * Change dust bag frequently.
- * Keep filters clean.
- * Keep diffuser filter [where fitted] clean.
- * Use filter bags, they will enhance performance and help keep machine clean.
- * Use an Original filter bag under fine dust conditions from your distributor.
- * Keep hoses and tubes clear.
- * Replace any worn or damaged parts immediately.
- * Only use the socket outlet on the machine for purposes specified in the instructions.
- * Only use the brushes provided with the machine. The use of other brushes may impair safety.



- * Use to suck up hot ashes or lighted cigarette ends.
- * Use steam cleaners, pressure washers or immerse in water to clean the machine.
- * Do not use in wet environments or to collect wet materials.
- * If the supply cord is damaged, it must be replaced by the manufacturer, its service agent or similarly qualified persons to avoid a hazard.

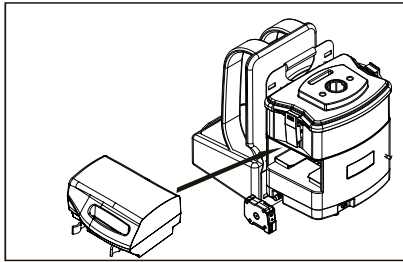
Installing Instruction

Open the packing box, take out the main engine, open the top cover and take out other accessories. The original machine is equipped with a paper bag.

Operating Instructions

1. open the upper cover to confirm whether the paper bag is installed.

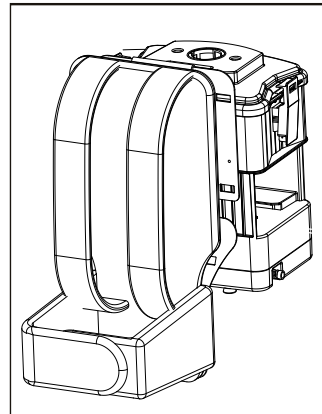
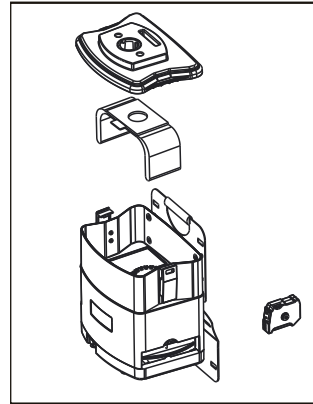
2. arrange the battery. Please make sure the battery is more than 5% open the upper cover to confirm whether the paper bag



3. open the straps and fold the fixed buckle, expand the braces, wear the straps and belts, and buckle the buttons.

4. put the switch box on the waist belt and turn on the switch to vacuum.

5. install a telescopic bar or other accessories on the bend pipe as required, and use vacuum cleaner.



Operating Recommendations

1. When inserting a new disposable paper bag, first fold out the bag and then install it into the yellow holder and OPEN THE BAG.
2. When the disposable filter dust bag is full, REPLACE IT.
3. If at any time the unit does not pick up properly or makes an unusual noise, STOP OPERATION and service.
4. Although your vacuum will pick up pins, paper clips, and other small objects, it is recommended that these be removed from the floor before you vacuum. Failure to do so may result in permanent damage to the unit.
5. **WARNING:** Do not use your vacuum cleaner on damp or wet surfaces. This will cause damage to the vacuum cleaner and is dangerous to the user. Damage caused by use on wet or damp surfaces is not covered under warranty.
6. Change the disposable filter dust bag at least once a month—even if it is not full! The collected dust in the dust bag can cause odor, attract moisture, and can affect the efficiency of the cleaner.
7. **Use caution when vacuuming over area rug edges & fringe.**

General Information

The performance of your new vacuum cleaner greatly depends upon care and maintenance. The instructions in this manual will guide you in performing basic care and maintenance. To obtain the most satisfying years of service read the instructions and keep them handy for future reference.

Disposable Paper Filter Dust bags

Disposable paper filter dust bags play a very important role in the efficiency of your **i-vac** vacuum cleaner. The purpose of the filter bag is to trap dirt, but at the same time it must be porous enough to allow air to pass through. If the filter bag becomes clogged, no air can pass through the cleaner and cleaning cannot take place, regardless of the cleaner's power.

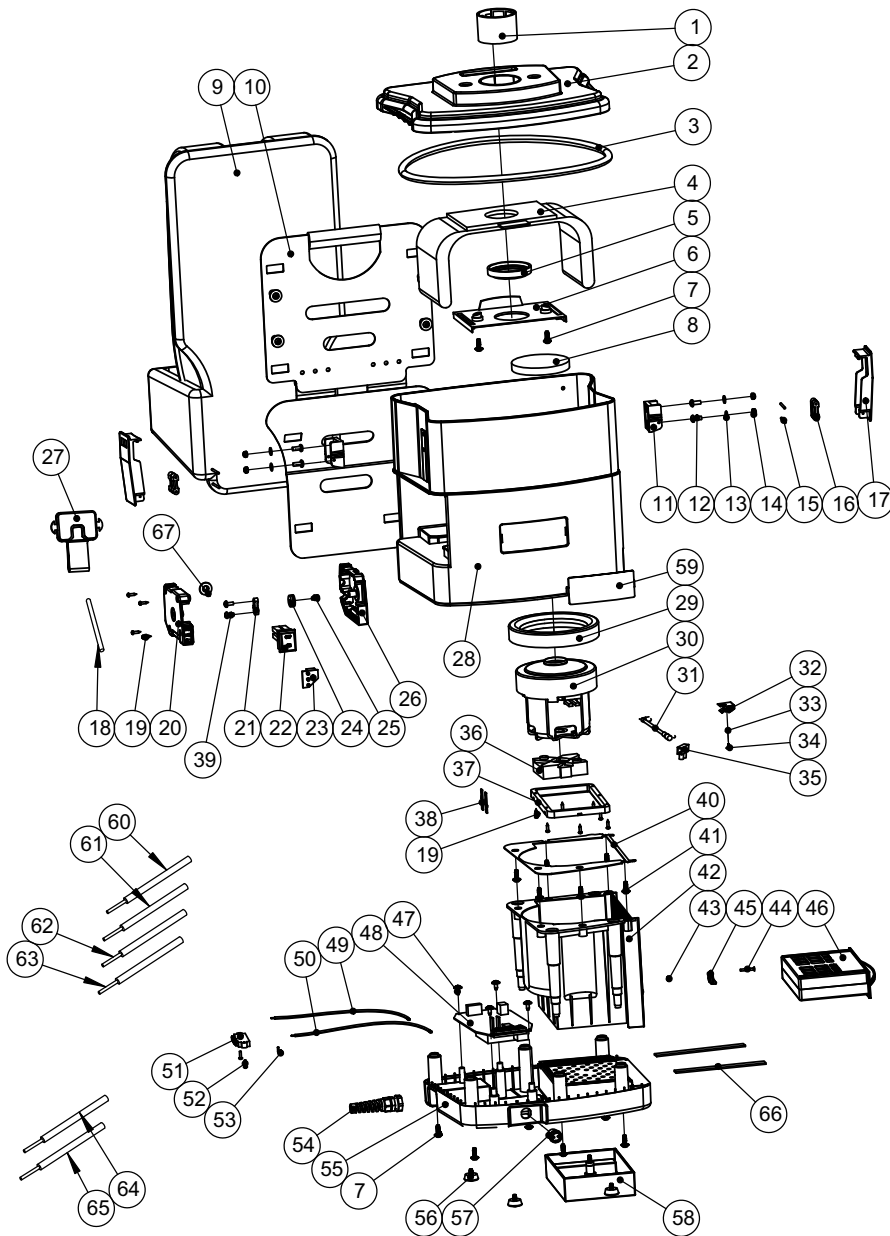
To keep your cleaner operating at maximum efficiency, change the dust bag frequently.

Be sure the disposable paper filter dust bag is installed properly. All paper dust bags are not the same, Your **i-vac** disposable dust bags have been designed to be used with the **i-vac** cleaner. Using bags other than genuine **i-vac** disposable bags will affect the cleaning ability of your cleaner and could cause damage to it.

Overheating

The temperature of the suction motor is measured constantly. If the temperature becomes too high, the sensor will switch off the suction motor. Check whether the suction system is blocked. The sensor will be automatically switched on again after the sensor and the motor have cooled down sufficiently. You can now start to use the machine again.

EXPLODED VIEWS



Item	P/N	Decroption	Qty.
1	70.0016.000	INSERT DUPRO BLACK ESD	1
2	114.0001.X	LID I-move	1
3	105.0016.0	Rubber seal Dia10 X L 888 mm EDPM 50HARD	1
4	22.0094.830	PAPER BAG S/F C05/C06	1
5	114.0020.0	Paper holder seals for i-Move, silicone	1
6	70.0009.X	Paper bag holder	1
7	54.0027.2	Screw ST5X20	13
8	105.0021.0	SILENCERS-COTTON 4 FOR C5 density 35	1
9	114.0015.0	Belts and straps I-move	1
10	S.114.0013.0	Harness assy. for I-move	1
11	76.9002.2	HOLDER CLIP C06/9	2
12	25.0032.0	SCREW M5 X 12	4
13	105.0025.0	SEAL RING STICK EVA 11x6x1mm	4
14	04.0048.0	NUT M5 NYLON	4
15	76.9002.1	SCHAFT CLIP C06/9	4
16	76.9002.3	HINGE CLIP C06/9	4
17	76.9002.4	CLIP C06/9	2
18	114.0010.0	Signal 6 cable split conductor L=100cm DIA=7mm	1
19	85.1008.1	SCREW ST3 X12 CROSSHEAD SELFTAPPING BL-NI, SST	11
20	114.0007.X	Switch box(DC) rear c cover with translucent film I-move	1
21	00.0052.0	CABLE RESTRAIN INTERNAL	1
22	04.0009.30	SWITCH 4P LIGHT GREEN 0/I	1
23	114.0008.0	led PCB I-move	1
24	114.0012.0	Brass button I-move	1
25	51.0023.0	SCREW M4X8MM	1
26	114.0006.X	Switch box(DC) front cover I-move	1
27	S.97.0010.0	BELT CLIP TO BATTERY CASE	1
28	114.0002.X	Main POT I-move	1
29	105.0033.0	RUBBER BOTTOM DOMEL C5B	1
30	57.0045.0	MOTOR 450W DC24V DOMEL	1
31	105.0054.0	THERMAL SWITCH 110C	1
32	85.0044.1	FIXING CLIP THERMAL SWITCH	1
33	105.0052.0	NUT M12 FLAT	1
34	105.0053.0	SCREW M2 X6 CROSS HEAD=D7 NYLOK	1
35	105.0055.0	CONNECTION BRACKET INSULATION 2P for AWG12	1
36	70.0198.0	RUBBER TOP FOR C9B/C9 HOUSEING	1
37	114.0009.0	Rubber seal 65HARD	1
38	04.0031.0	TERMINAL CONNECTOR	2
39	00.0002.7	SCREW 4 X 10	2
40	114.0016.0	EVA MAT I-move	1
41	73.0002.3	SCREW ST5.05 X 16	6
42	114.0003.X	Motor house I-move	1
43	20.0032.0	NUT M3 NYLON STAINLESS	1
44	66.0301.0	COUNTER SUNK SCREW M3*15	1
45	73.0006.X	CLIP FILTER CASSETTE C09	1
46	77.0012.0	FILTER CASSETTE C06/9 BLACK [PP MATERIAL]	1
47	85.1035.0	SCREW	1
48	105.0036.0	MAIN PCB C5 BATTERY	1
49	70.0185.0	WIRE RED L=200 MM RV3.5-4/MALE PIN AWG12	1
50	70.0186.0	WIRE BLACK L=200 MM RV3.5-4/MALE PIN AWG12	1
51	72.0068.X	BATTERY CONNECTOR MALE	1
52	72.0057.0	SCREW WN 5451 25X10 EJOT DELTA PT [MCH 1416-1001-215 0]	2
53	85.0050.1	AINGNMENT P	1
54	10.0027.0	PIGTAIL & NUT PG9	1
55	114.0004.X	PCB house I-move	1
56	114.0014.0	Rubber feet I-move	4
57	75.0003.0	OUTLET 2P FOR C9B DC24V female	1
58	114.0005.0	Air diffuser ESD PP I-move, Kleur: Black	1
59	114.0017.0	LOGO PLATE	1
60	70.0187.0	WIRE RED L=200MM 187/250 CSA AWG12	1
61	70.0188.0	WIRE BLACK L=200MM 187/250 CSA AWG12	1
62	105.0031.0	WIRE BLACK L=300 MM 187 AWG16	1
63	105.0032.0	WIRE RED L=300 MM 187 AWG16	1
64	70.0181.0	WIRE RED L=300 MM 250/RV3.5-4 AWG12	1
65	70.0182.0	WIRE BLACK L=300 MM 250/RV3.5-4 AWG12	1
66	00.0087.2/1	GASKET FLAT 12 X 3 (P/METER)	2
67	114.0011.0	CABLE GOMMET I-move	1