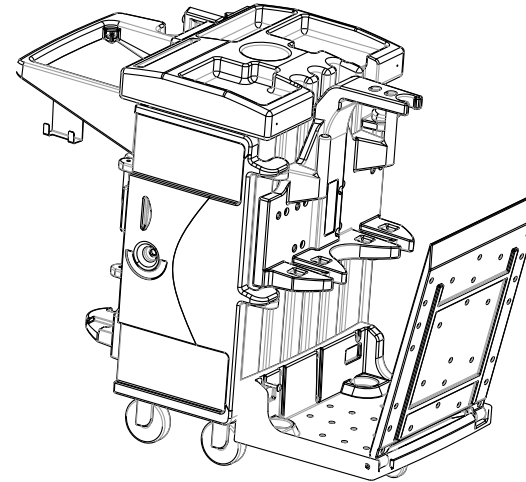




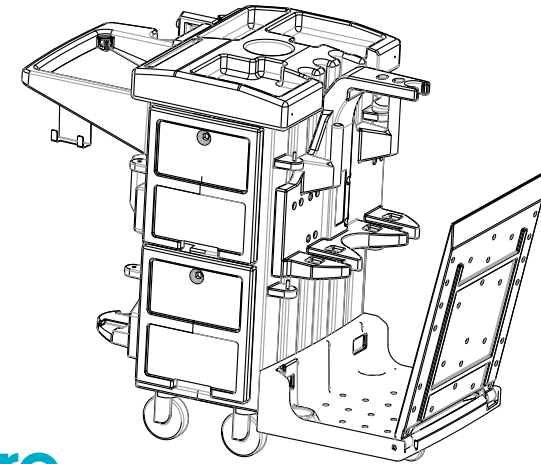
i-team®

## INSTRUCTION MANUAL



i-land L

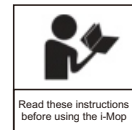
PRO  
SERIES  
WITH  
DRAWERS



i-land L Pro



i-team®



Read these instructions  
before using the i-Mop



Read these Safety  
Messages before  
operating

## Tools



Electric screw driver



Alan wrench

Key 5/32" 3.94"

P/N:103.0024.0



Alan wrench

Key 5/32" 4.33"

P/N:103.0024.1

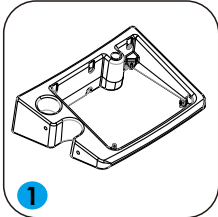


Alan wrench

Key 5/32" 4.33"

P/N:103.0024.1

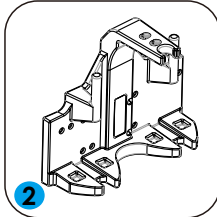
## Material List



1

Handle  
1X

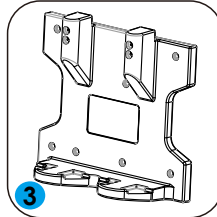
P/N:103.0000.394



2

Small Tank Holder  
1X

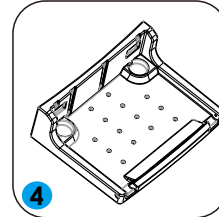
P/N:103.0003.797



3

Big Tank Holder  
1X

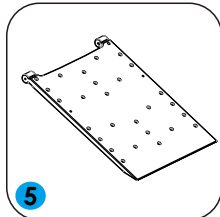
P/N:103.0004.394



4

Flat Shelf  
1X

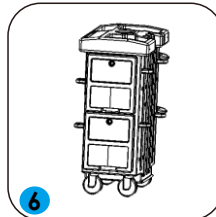
P/N:103.0006.394A



5

Bridge  
1X

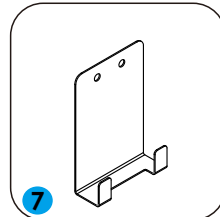
P/N:103.0041.797



6

Main Body  
1X

P/N:103.0002.394/LD



7

Safety Sign hanger  
1X

P/N:103.0021.1



8 Front Wheel  
2X  
P/N:103.0013.0



9 Rear Wheel  
2X  
P/N:103.0014.0



10 Wheel for flat shelf  
1X  
P/N:103.0022.1



11 Strap  
1X  
P/N:103.0016.0

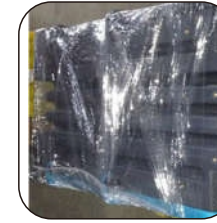


12 Wash Bag  
1X  
P/N:103.0025.0

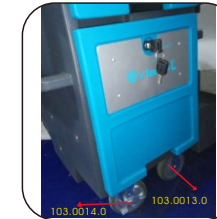
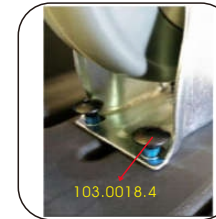
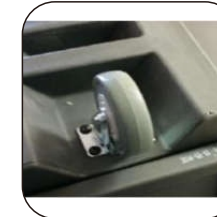
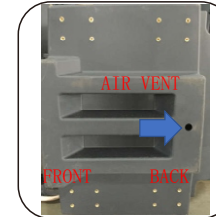
- 13 103.0018.0 screw 5/16"-18unc\*2.25"-5/32", 6 PCS
- 14 103.0018.4 screw 1/4"-20unc\*0.6"-5/32", 6 PCS
- 15 103.0018.8 screw 5/16"-18unc\*0.7"-5/32", 16 PCS
- 16 103.0018.8 screw 5/16"-18unc\*1.5"-5/32", 20 PCS
- 17 103.0018.9 screw 5/16"-18unc\*1.6"-5/32", 4PCS
- 18 103.0018.9 screw 5/16"-18unc\*2"-5/32", 4PCS

## Installation

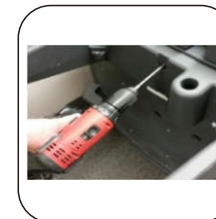
1. Open the Card box, and take the cart out,



2. Roll the cart over and to install the casters (2 pcs 103.0014.0 and 2 pcs 103.0013.0), the swivel caster(103.0014.0) should be installed at back position. To lock the caster with screws( 16 pcs 103.0018.4) which in the same pack of casters.



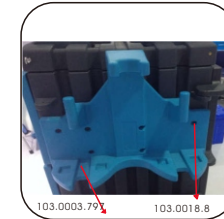
3. To install the Handle(1 pcs 103.0000.394). Roll the cart (s.103.0002.394/LD)back, put the handle to the cart body, and make sure the holes aligned with main body. To Lock the handle with screws.( 6 pcs 103.0018.0)



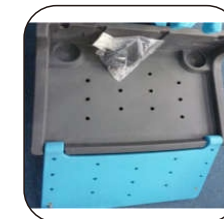
4. To install Big tank holder(1 pcs 103.0004.394). To put the big tank holder to the rear cart, make sure the holes are aligned with the cart. Then lock the holder with screws( 8 pcs 103.0018.8) by electrical drill (to use allen key if the screw is not fully tightened)



5. To install the small tank holder (1 pcs 103.0003.797). To put the small tank holder to the top front position of cart, make sure the holes are aligned with the cart. Then lock the holder with screws( 6 pcs 103.0018.8) by electrical drill (to use allen key if the screw is not fully tightened)



6. To install the flat shell and bridge subassembly (s.103.0006.394). To put the flat shell subassembly to the front and bottom position of cart, make sure the holes are aligned with the cart. Then lock the flat shell subassembly with screws(6 pcs 103.0018.8) by electrical drill (to use allen key if the screw is not fully tightened)

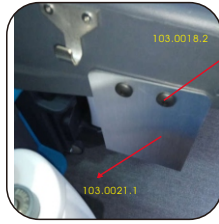


# Installation

7.To connect the belt( 103.0016.0)



8.install the hook(1 pcs 103.0021.1 ) with screw ( 2 pcs 103.0018.2) on part



9.To attach the bag (103.0025.0) on the handle of cart.



# Operation instruction

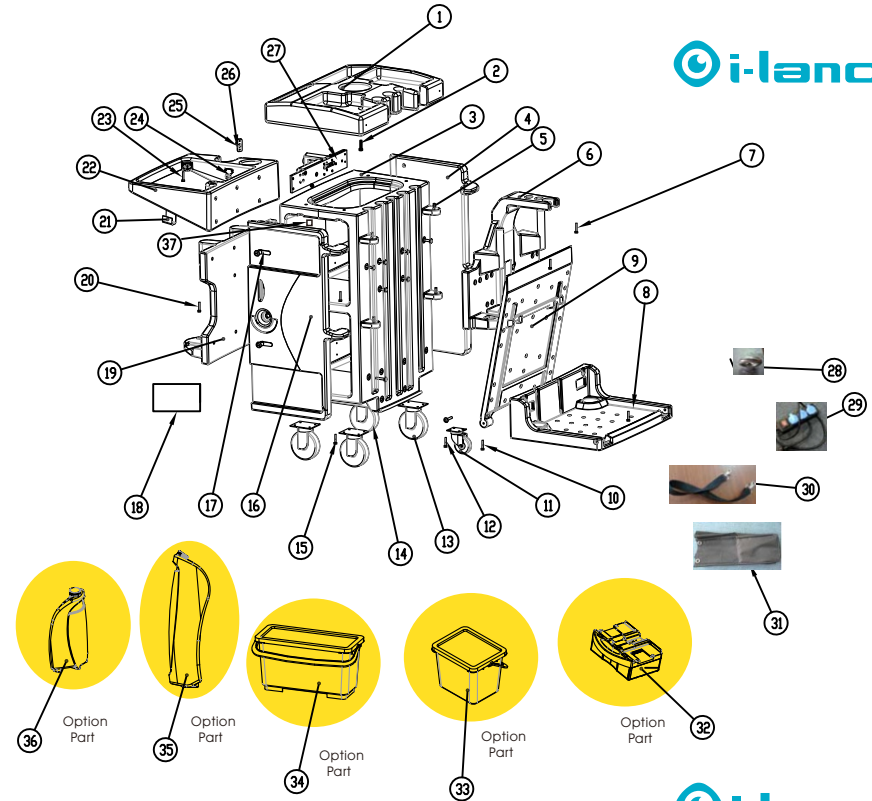


- 1.Use key to open and lock the drawer.
- 2.Small tank holder can put 2 small tank;
- 3.Big tank holder can put 2 big tank;
- 4.Disconnect the belt and put the bridge on the ground. Push the imop machine on the falt shelf and lock the machine handle by I land lock system. Then connect the belt and grasp the handle of the I land to push. You can use the rear wheel to stop the I-land.
- 5.Use socket on I land I to offer the power for battery charger

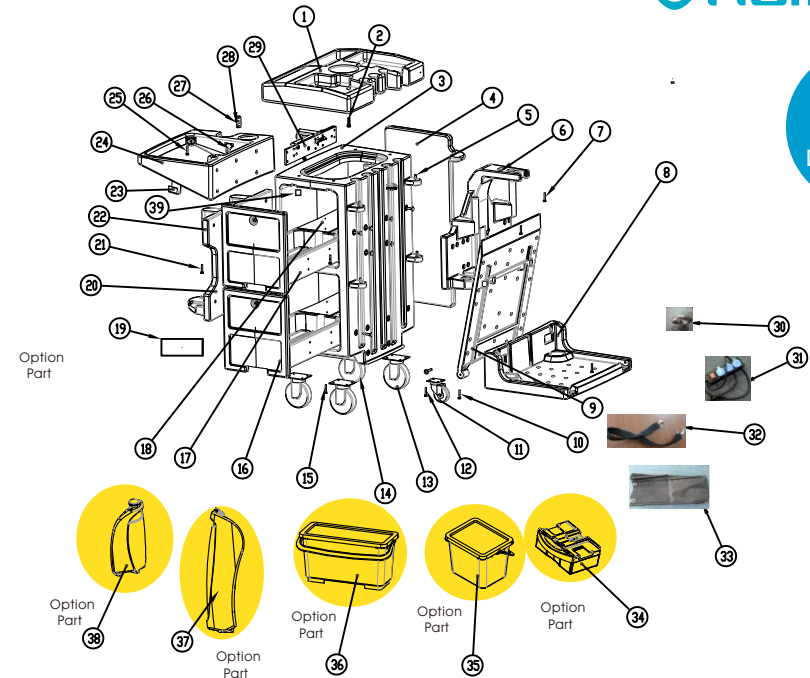
# Specification of i-land L

Carton size: 1090x890x675mm  
 Weight: 64.6kgs  
 CBM: 0.66M<sup>3</sup>  
 2 CARTONS on 1 pallet ---CBM 1.43M<sup>3</sup>

# Exploded Views



PRO SERIES WITH DRAWERS





ITEM	P/N	DESCRIPTION	QTY
1	103.0046.394	I LAND L TOP COVER	1
2	103.0018.13	SCREW 1/4" -20UNC*1.75" 5/32"	4
3	103.0047.394	I LAND L MAIN BODY	1
4	103.0045.394	LEFT FRONT DOOR	1
5	103.0018.9	SCREW 5/16" - 18UNC81.6" 5/32"	4
6	103.0003.797	I LAND SMALL TANK HOLDER	1
7	103.0018.8	SCREW 5/16" - 18UNC* 1.5" 5/32"	1
8	103.0006.394	I LAND FLAT SHELF	1
9	103.0041.797	I LAND LONG BRIDGE	1
10	103.0018.10	SCREW 5/16" - 18UNC*2 5/32"	2
11	103.0022.0	CASTOR FLAT SHELF	1
12	103.0018.12	SCREW 10-24UNC*0.47"	4
13	103.0013.0	I LAND FRONT WHEEL	2
14	103.0014.0	I LAND REAR WHEEL	2
15	103.0018.4	SCREW 5/16" - 18UNC*0.7" 5/32"	16
16	103.0043.797	RIGHT FRONT DOOR	1
17	103.0015.0	I LAND LOCK WITH KEY	2
18	103.0466.0015.03	I LAND L METAL PLATE	2
19	103.0004.39	I LAND BIG TANK HOLDER	1
20	103.0017.0	I LAND L MAGNETS	2
21	103.0021.0	SAFETY SIGN HANGER	1
22	103.0000.394	I LAND L HANDLE	1
23	103.0018.0	SCREW 5/16" - 18 UNC82.25" 5/32"	6
24	103.0026.0	HOOK FOR BAG	2
25	22.0301.0	CABLE HOOK EXTERNAL NEW	2
26	24.0001.0/A	CABLE HOLDER ADAPTOR	1
27	103.0023.X	SCREW 5/16" - 18UNC*2 5/32"	1
28	103.0018.1	I LAND RING SCREW	2
29	S.103.0019.X	I LAND PLUG SOCKET	1
30	103.0016.0	I LAND STRAP WITH CLIP	1
31	103.0025.0	I LAND BAG	1
32	S.72.0104.X	IMOP BATTERY CHARGER	2
33	S.92.0018.390/797	ASSY BUCKET 3.5 GALLON GREY	1
34	S.92.0015.390/797	ASSY BUCKET 6 GALLON GREY	1
35	S.72.0088.1	SOLUTION COMPARTMENT	2
36	S.72.0081.1	ASSY CLEAN COMPARTMENT	2
37	103.0101.0	MAGNET	2



ITEM	P/N	DESCRIPTION	QTY
1	103.0046.394	I LAND L TOP COVER	1
2	103.0018.13	SCREW 1/4" -20UNC*1.75" 5/32"	4
3	103.0047.394	I LAND L MAIN BODY	1
4	103.0045.394	LEFT FRONT DOOR	1
5	103.0018.9	SCREW 5/16" - 18UNC81.6" 5/32"	4
6	103.0003.797	I LAND SMALL TANK HOLDER	1
7	103.0018.8	SCREW 5/16" - 18UNC* 1.5" 5/32"	1
8	103.0006.394	I LAND FLAT SHELF	1
9	103.0041.797	I LAND LONG BRIDGE	1
10	103.0018.10	SCREW 5/16" - 18UNC*2 5/32"	2
11	103.0022.0	CASTOR FLAT SHELF	1
12	103.0018.12	SCREW 10-24UNC*0.47"	4
13	103.0013.0	I LAND FRONT WHEEL	2
14	103.0014.0	I LAND REAR WHEEL	2
15	103.0018.4	SCREW 5/16" - 18UNC*0.7" 5/32"	16
16	103.0048.797	I LAND L DRAWER	2
17	103.0015.0	SCREW 10-24 UNC*0.5"	56
18	103.0011.0	I LAND SLID	8
19	103.0466.0015.03	I LAND L METAL PLATE	2
20	103.0004.39	I LAND BIG TANK HOLDER	1
21	103.0017.0	I LAND MAGNETS	2
22	103.0015.0	I LAND LOCK WITH KEY	2
23	103.0021.0	SAFETY SIGN HANGER	1
24	103.0000.394	I LAND HANDLE	1
25	103.0018.0	SCREW 5/16" - 18UNC82.25" 5/32"	6
26	103.0026.0	HOOK FOR BAG	1
27	22.0301.0	CABLE HOOK EXTERNAL	1
28	24.0001.0/A	CABLE HOLDER ADAPTOR	1
29	103.0023.X	ADAPTOR PLATE	1
30	103.0018.1	I LAND RING SCREW	2
31	S.103.0019.X	I LAND PLUG SOCKET	1
32	103.0016.0	I LAND STRAP WITH CLIP	1
33	103.0025.0	I LAND BAG	1
34	S.72.0104.X	ASSY IMOP BATTERY CHARGER	2
35	S.92.0018.390/797	ASSY BUCKET 3.5 GALLON GREY	1
36	S.92.0015.390/797	ASSY BUCKET 6 GALLON GREY	1
37	S.72.0088.1	SOLUTION COMPARTMENT	2
38	S.72.0081.1	ASSY CLEAN COMPARTMENT	2
39	103.0101.0	MAGNET	2