



safe-t-vac[®]

SAFE-T-VAC FOR CLEAN ROOM USE



USER MANUAL



i-Team Professional
Hoppenkuil 27 b
5626 DD
Eindhoven,NL
www.i-teamglobal.com

Revision:00(05/2024)

Preface

Thank you for purchasing the Safe T Vac - DC28V300W Vac Machine, The powerful, easy to use system that can do the cleaning works in seconds. We have made the machine easy to install the batteries, and easy to replace the paper bag, and easy to replace the filter. The Safe T Vac is easy to use when you follow the instruction.

Please read the user manual carefully. Become familiar with the correct operation and maintenance procedures. Store the manual in a safe place. The manual is an essential part of the Safe T Vac system and must be handed over to the new owner upon resale or exchange. When this manual refers to "the manufacturer" this means: Future Cleaning Technologies B.V. in Eindhoven, The Netherlands. When this manual mentions "the dealer" your local i-team sales and support dealer is referred to.

Purpose of the user manual

The purpose of the user manual is to provide the user with information during the life of the Safe T Vac in such a way that the Safe T Vac is used correctly, efficiently and safely, even in the event of reasonably foreseeable misuse.

The user manual contains instructions regarding:

Personal operator safety

Intended and non-intended use of the Safe T Vac Instructions for daily use

Maintenance instructions Storage conditions Disposal of the Safe T Vac

These instructions must be taken into account to avoid risks that could lead to physical and/or material damage.

Target audience

This user manual is intended for operators of Safe T Vac and their supervisors, as well as dealers and importers.

Operators of the Safe T Vac

The Safe T Vac may only be operated by a person who:
has correctly read and understood the instructions in this manual.

is trained by an experienced operator who has read and understood the instructions in this manual.

Important safety instructions

READ ALL INSTRUCTIONS BEFORE USING THIS MACHINE

READ ALL INSTRUCTIONS
BEFORE USING THE
MACHINE




safe-t-vac

Warning!



Warning!

The machine is for **DRY USE** only and must not be stored outside. Do not use in wet environments or to collect wet materials.



LITHIUM-ION BATTERY


Nominal Voltage: 14.4V
Energy/Capacity: 125Wh^m

SAFETY ADVICE

- Do not crush, pierce or damage in any way.
- Do not heat or incinerate.
- Do not short-circuit.
- Do not dismantle.

Do not immerse in any liquids.

Only charge between
5 °C~40 °C/41 °F~ 104 °F
and discharge
5 °C~45 °C/41 °F~113 °F









DO NOT OPERATE THE MACHINE WITHOUT READING AND UNDERSTANDING THE OPERATING INSTRUCTIONS. IF THE MACHINE IS OPERATED INCORRECTLY IT CAN POSE DANGER TO THE OPERATOR AND OTHERS AND WILL INVALIDATE THE MANUFACTURES WARRANTY. BEFORE USE, READ AND UNDERSTAND THE FOLLOWING:

IMPORTANT NOTICE:

Before inserting the batteries, correctly the machine to operator and adjust the straps as required. The machine's body has been designed to be kept upright at all times when the batteries are inserted to batteries holder. This is important to the operation of machine.

Reading guide

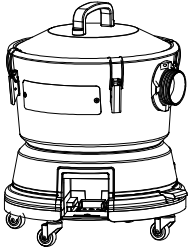
The following symbols and terms are used throughout this manual to alert the reader to safety issues and important information:

Symbol	Term	Explanation
	WARNING	Indicates a hazardous situation which, if the safety instructions are not followed, can lead to injuries of the operator or bystanders, light and/or moderate damage to the product or the environment.
	BATTERIES	Indicates a battery operated machine, batteries must be charged according to the instructions in the separate Class I Battery Charger user manual. Batteries must be disposed of according to your local laws and regulations
	PROTECTIVE EYEWEARE	Indicates protective eyewear is advised, for instance when filling the machine with cleaning solution
	WASH HANDS	Indicates the operator is advised to wash their hands, for instance after filling and/or draining the cleaning solution.
	HOT SURFACE	Indicates hot surfaces of parts of the machine. Hot surfaces can cause burns in contact with skin over longer time.
	SLIPPERY SURFACE	Indicates the machine can cause floors to become slippery. Marking the workplace with slippery surface signs is advised.

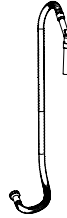
Content

Preface	2
Purpose of the user manual	2
Target audience	2
Operators of the Safe T Vac	2
Important safety instructions	3
Packing List	6
Reading guide	4
Preparation for operation	10-13
Product Specification	7-9
Product Instruction	10-16
Maintenance	17-19
Storage	19
Exploded drawing and spare part list	20-23

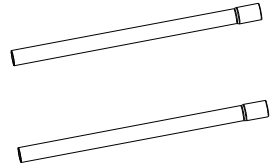
Packing list



Safe t vac machine: 1X



Bend handle and hose Assm 1x



Stainless steel wand 2X



Floor tool:1X



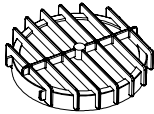
Plumeau round:1X



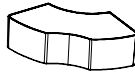
Upholstery tool:1X



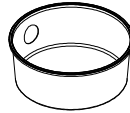
Crevice tool:1X



Air-in Filter 1X



Air-out Filter 1X



Filter cap 1X



White cloth bag 1X

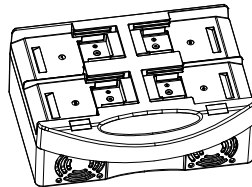
Battery and charger :

(These parts are not in the packing box and need to order from the distributor.)

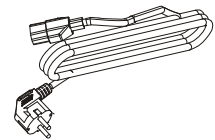
i-power10.5 Battery 2x



i-charger5A-4X, 1x



Power cable 1x



This kit of battery & charger is provided according to customer order requirements, may not be in the package, Please contact with the distributor.

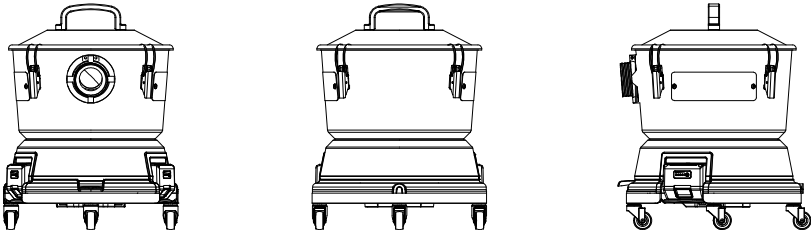
Notes: The machine need 2x i-power 10.5 Batteries for power supply, and the i-charger 5A-4X can be used for 1~4x i-power 10.5 batteries to charge at the same time.



If you need i-power 10.5 batteries, Please contact with the distributor.

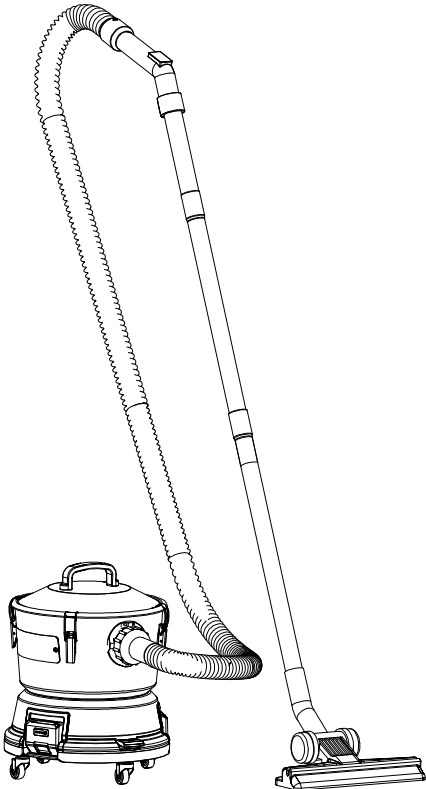
Product Specification

- Product appearance



- Product size

The machine main body: $\varnothing 310 \times 400 \text{mm}$.
The Bend handle with 2x wands and floor tool-Height: 1.5M.

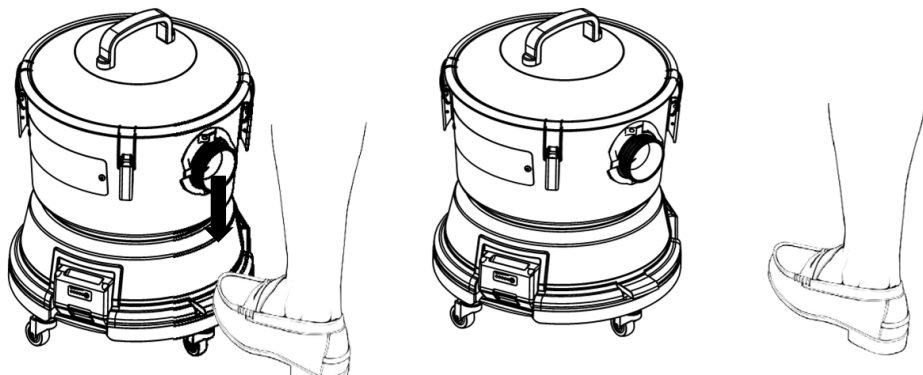


Product Specification

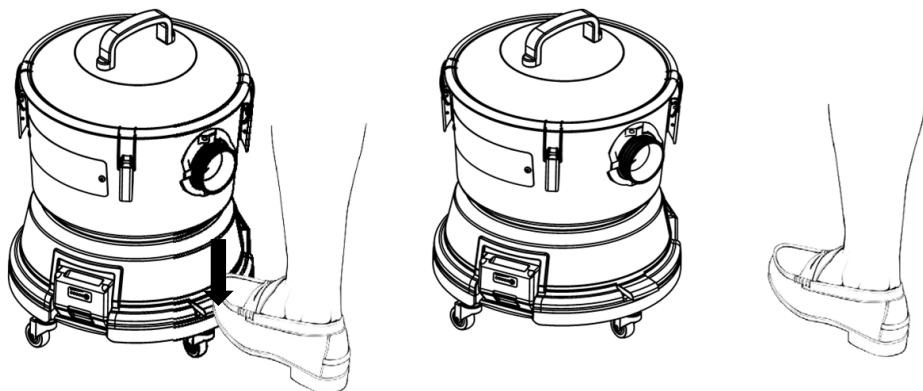
No.	Item	SAFE T VAC
1	Machine weight included 2x Batteries (ex. Hose and wand)	7.7KG
2	2x batteries weight	0.70*2kg
3	Use battery model (two options available)	i-power 8.7 (14.4V, 8.7Ah) i-power10.5 (14.4V, 10.5Ah)
4	Dust bag capacity	>6.0L
5	Machine Size (W*T*H)	Ø310X401MM
6	Battery duration(minutes)	43 minutes (i-power8.7, 2x) 52 minutes (i-power10.5, 2x)
7	Charger-time	105 minutes in i-charger 5A-4X (i-power8.7) 125 minutes in i-charger 5A-4X (i-power10.5)
8	Battery q'ty for 1x charger	4x for i-charger 5A-4X
9	Air flow rate (MAX) L/S	>33.65 L/S
10	Sealing suction	20.0~21.0Kpa
11	Speed adjustment	NO
12	Current (Max)	10.6A
13	Rotary hose coupling	Yes
14	Machine motor type	DC28V, 300W, Brushless motor
15	Hose inside diameter	32mm
17	Noise level minimum (at L*H=1*1m)	65 dB
18	Filtration system	4-channel filtration system, ULPA –U15 Filter
19	Power switch (on/off)	Foot pression
20	Material of product	Stainless steel, steel, PP, ABS, Silicon rubber, aluminium, PP ESD...
21	2x wands and bend handle height	120cm
22	Suction power test for sand in carpet (efficiency)	99%
23	Suction power test for flour in carpet (efficiency)	91%
24	Designed for cleanroom use	Passed ISO CLASS 5 in ULPA 15 Filters System Passed ISO CLASS 4 in ULPA 16 Filters system by SGS

Product Description

- Control logic



1. Step on the switch with your toes once, then move your feet away and the machine will start running.



2. Step on the switch with your toes for the second time, then move your feet away and the machine will start to stop running.

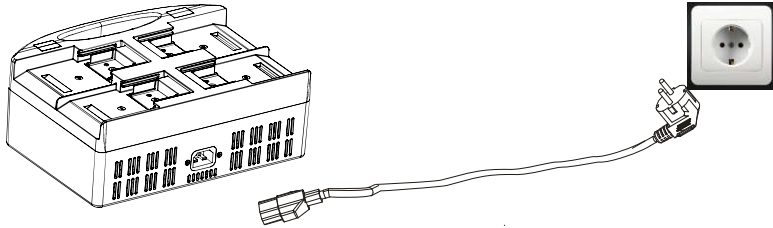


To ensure the normal operation of the machine, please do not continuously and rudely press the switch

Preparation for operation

● Charge the battery

Ensure that the battery has been fully charged before each operation, Before you charge the battery, please read the Instruction manual of battery charger first. the manual is in the package of charger box. Please keep the manual.



AC Input Voltage : AC 100 -240V 50/60Hz

Input Current(Max): 5.5A

Output Voltage : D16.8V x4

Rated Charge Current :5A x4

Standby Power: 2W

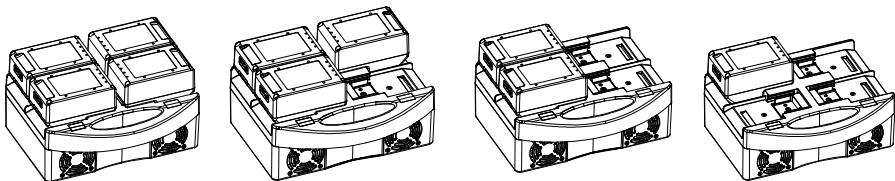
Approximate charging time: 125 minutes for i-power 10.5 battery pack.

Working Temp. & Humidity: -10 °C~40 °C ; 20%~90%RH No condensing

Storage Temp. & Humidity: -30°C ~85 °C; 10%~95%RH No condensing



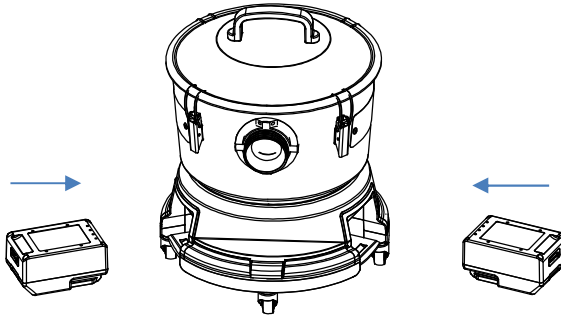
i-charger5A-4X can charge 4x i-power10.5 batteries at the same time, also can charge 1x battery, or 2x batteries, or 3x batteries. The positions can be selected by you.



1. The first charge, please make sure the battery is been fully charged.
2. Please place the charge and battery in safe area.
3. Because the machine need both battery to provide power at same time, Suggest to charge 2x batteries at same time, or make 2x batteries power indicator are same.

Preparation for operation

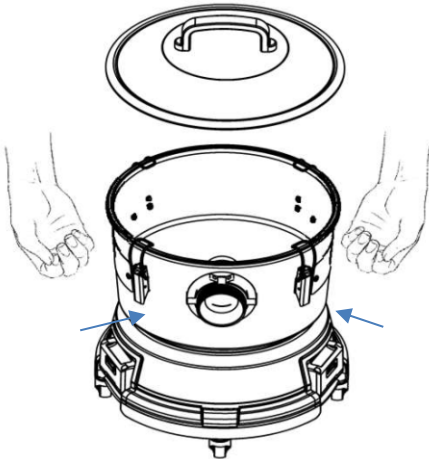
- Insert 2x batteries for machine



First, place the machine on floor, and then insert 2x fully charged batteries to the battery holders on both side of machine, please make sure batteries be installed correctly, and you can see the batteries will be locked in the holders.

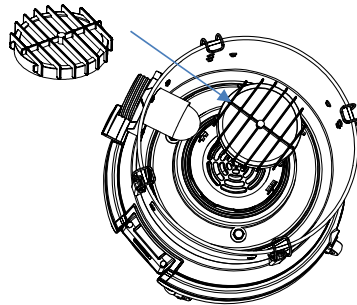
- ⚠ When you find one of the 2x batteries is power off in the usage time, the machine stop running, you can change the other one fully charged battery, and then restart Machine.
- ⚠ Please always keep both battery in same usage time ASAP.

- Install or replace the Air-in filter



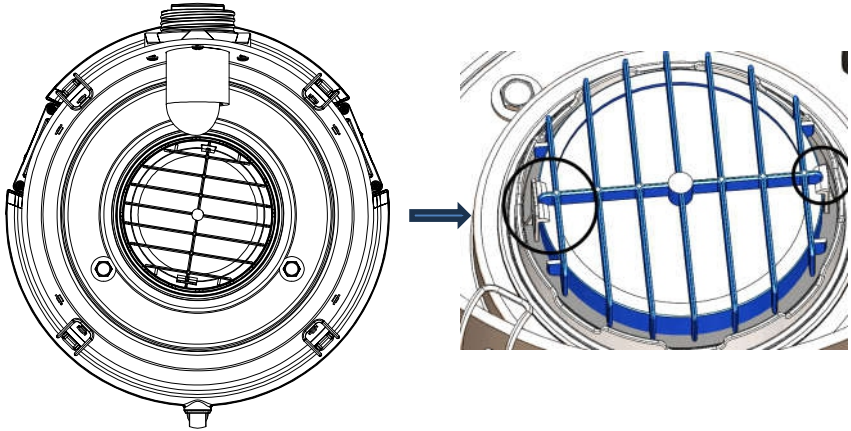
1. Open the top cover by releasing the 4x Buckles.

2. Place a new round filter (air-in filter).



Preparation for operation

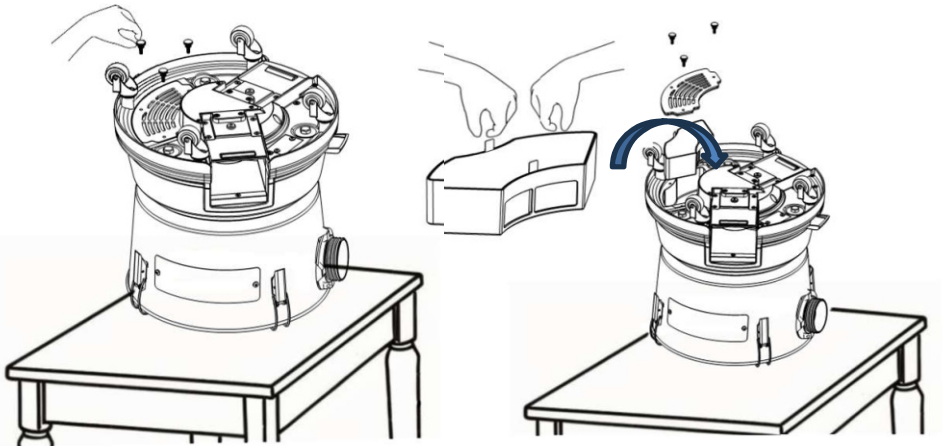
- Install or replace the Air-in filter



3. Use your fingers to open the two hooks outward, and then clip the filter in.

4. As shown in the above figure, it is the correct direction for installing the filter.

- Install the Air out filter

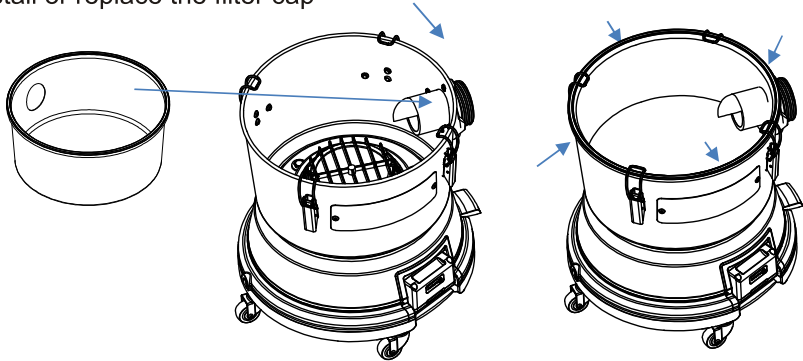


1. Put the tank on table and Loosen the three thumb screws by hand, and then open the filter cover.

2. Install or replace in a new air-out filter for the bottom housing, and close the filter cover, then tighten the three screws by hand.

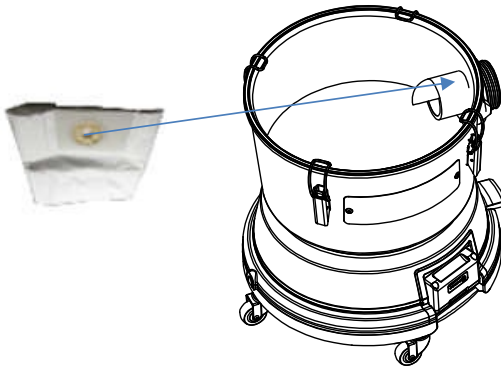
Preparation for operation

- Install or replace the filter cap



Take a new filter cap, then fit the hole for the can connector. Align the rubber band with the outer edge of the Tank.

- Install or replace the cloth bag.



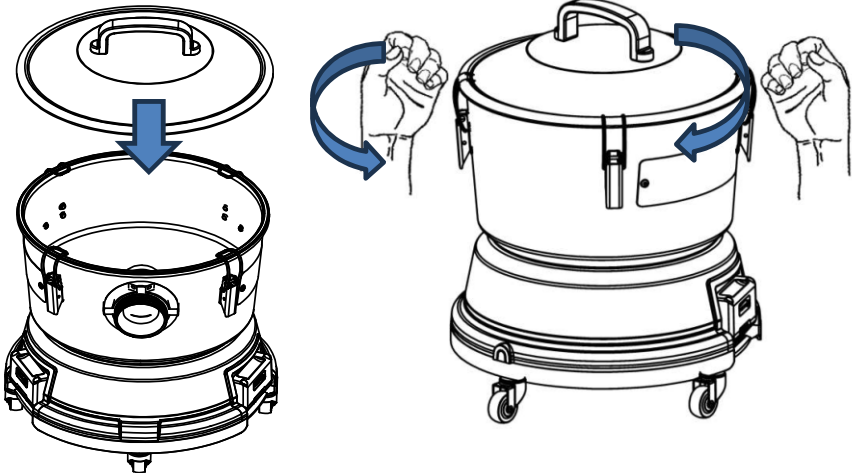
Take a new cloth bag, and then insert the hole for the can connector, align the rubber to the connector bottom, and then unfold this cloth bag.



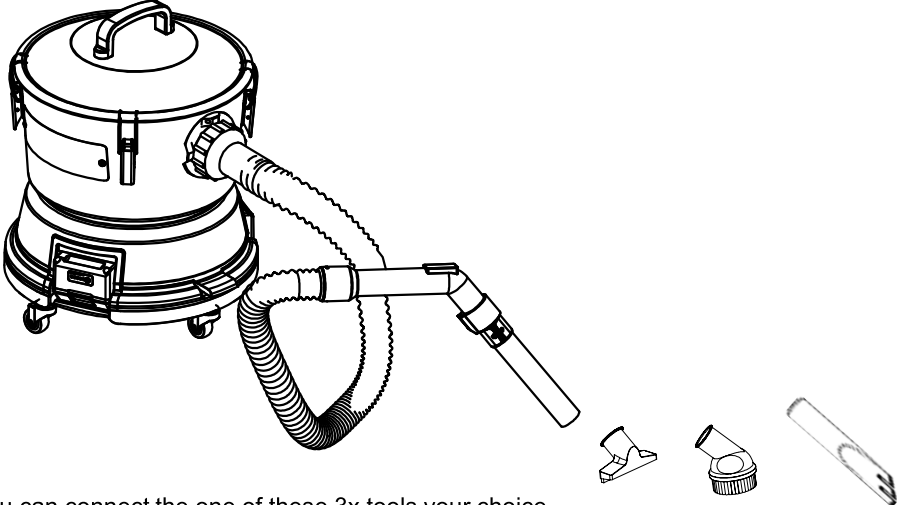
Throw the replaced dirty filters, dust bags, and dust caps into the garbage sorting and recycling bin.

Product operation

- Close the top cover and fit back the 4x Buckles, make sure the top cover is sealed.



- Tools connecting



You can connect the one of these 3x tools your choice.

Product operation

- Take the bend handle from machine, and you can connect it to the tools.



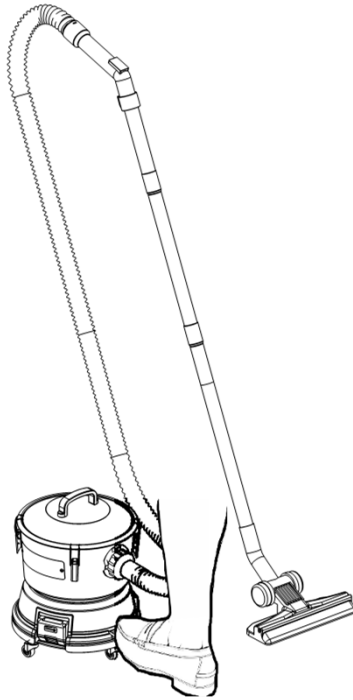
- Also, you can connect the 2x wands , and floor tool, upholstery tool (T brush), Plumeau round brush, crevice tool.



- Also, you can connect the 1x wand , and floor tool, upholstery tool (T brush), Plumeau round brush, crevice tool.

Product operation

- Start to do cleaning work



- Turn on the switch by your feet and you can start to do the cleaning works.



The machine is for DRY USE only and must not be stored outside. Do not use in wet environments or to collect wet materials.

Maintenance

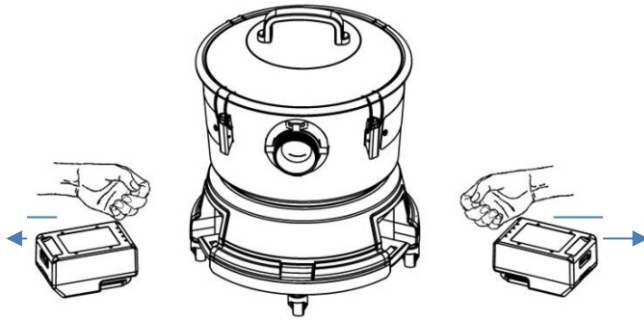
The machine need be noticed when the operator in normal use:



1. The machine is for DRY USE only and must not be stored outside. Keep the machine always in dry environments



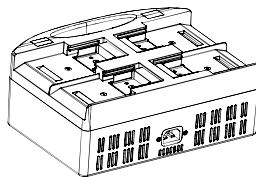
2. After the clean work is completed, the operator need to take off the 2x batteries from machine and charge the batteries.
Do not keep the batteries be installed in machine for long time when you do not use .



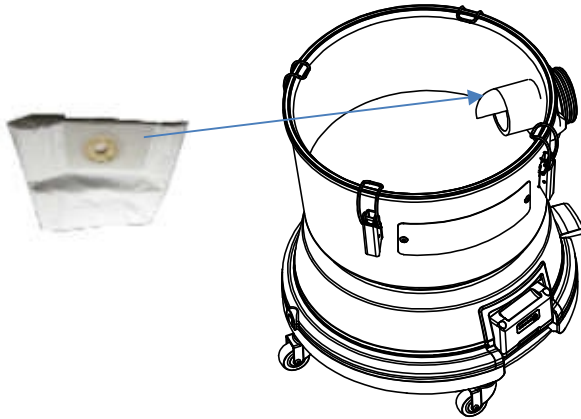
3. Always keep the batteries, Charger in safety, dry environments.



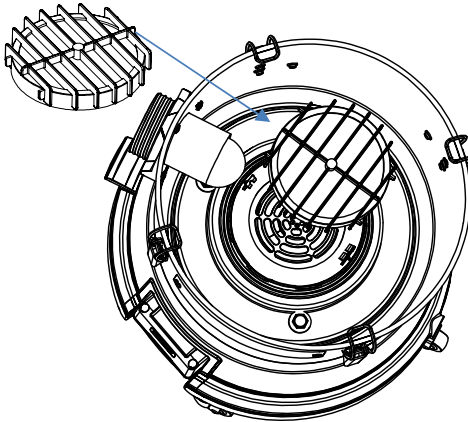
4. After full charge, please take out the batteries from charger, and turn off the power, or pull off the power cable of charger.



Maintenance

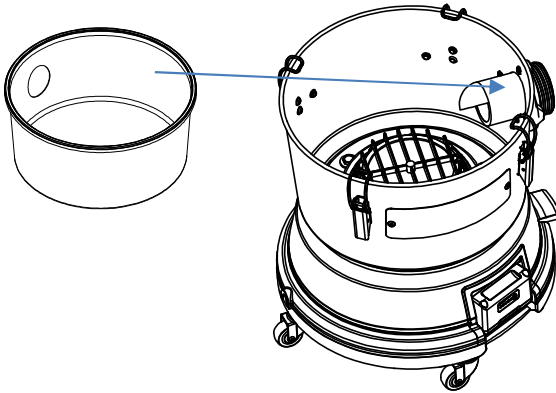


5. Please replace the dust bag in a timely manner. Please do not let the garbage in the dust bag be left for more than three days to prevent it from spoiling.

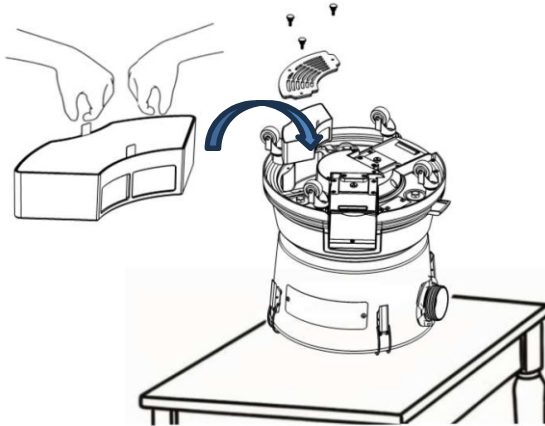


6. Please replace the round filter (air-in filter) according to the frequency of use. Or replace every two weeks.

Maintenance

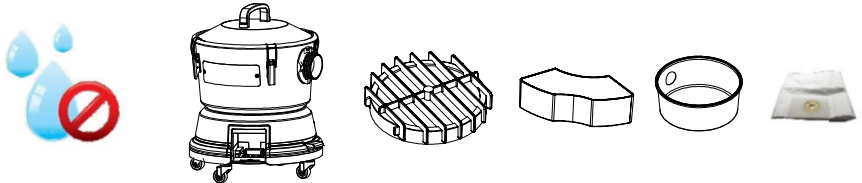


7. Please replace filter cap according to the frequency of use or replace every two weeks.



8. Please replace filter cap according to the frequency of use or replace every one month.

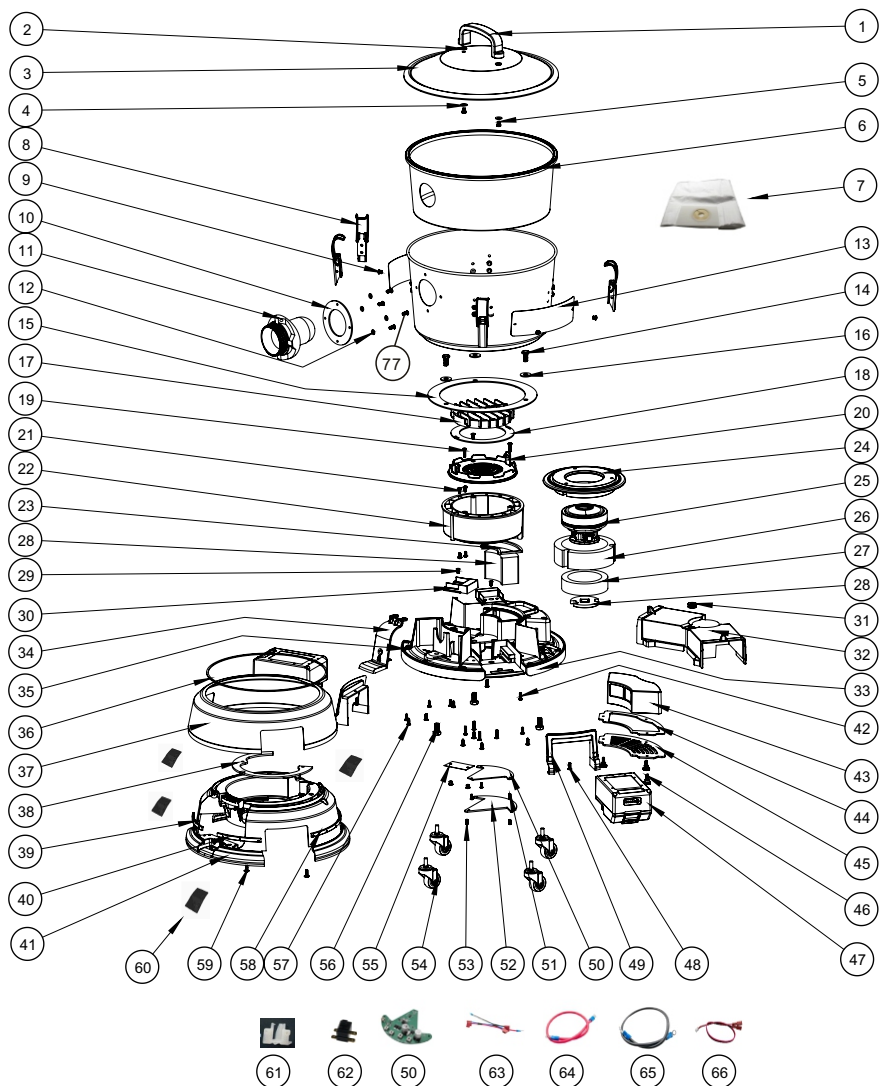
Storage



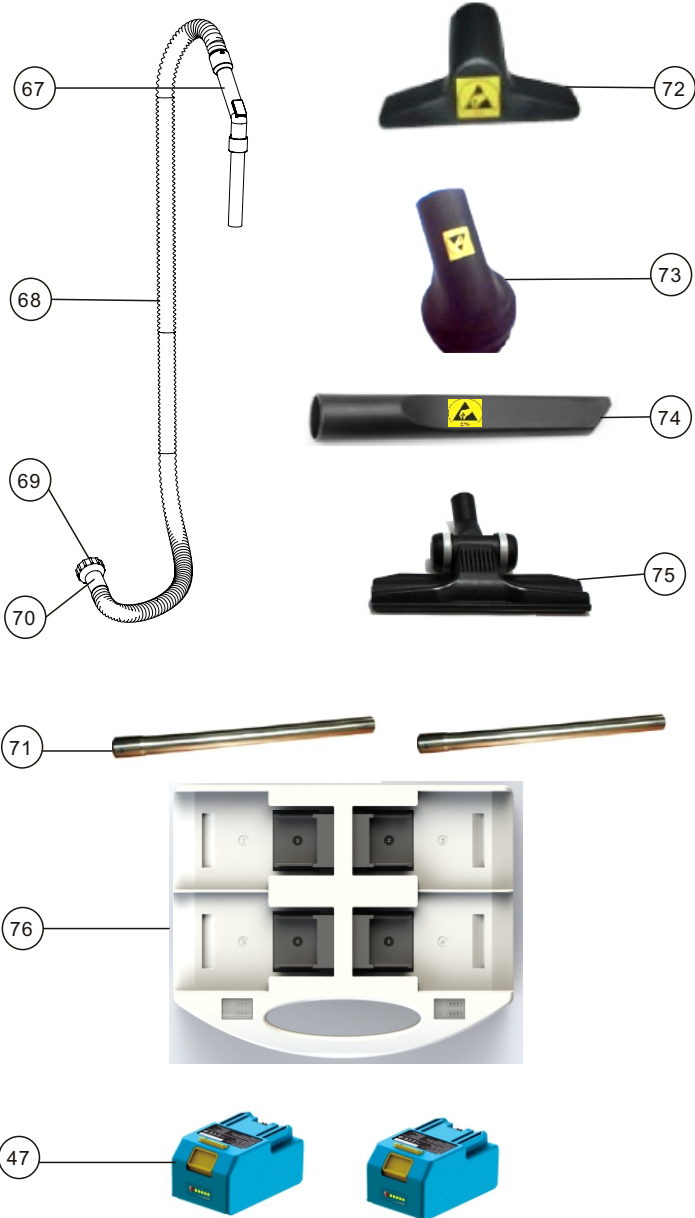
The machine must be stored in the DRY environments.

The new filters and cloth bags must be stored in sealed PE bag in the DRY environments.

Exploded Views



Exploded Views



Exploded Views List

No.	Part No.	Description	QTY.
1	55.0497.0/1	HANDLE FOR TOP LID SST SAFETVAC	1
2	121.0035.0	SILICON RUBBER RING 11.5X6.5X1.5MM	2
3	55.0501.0/1A	TOP COVER STAINLESS STEEL	1
4	00.0091.0	WASHER STAINLESS M5 5.1X12X1.0	1
5	115.0302.0	HEX SOCKET BOLT M5x8 GB/T 70.1-2006 STAINLESS STEEL	2
6	55.0453.0	FILTER CAP COMPLETE 23/612 ISS2	1
7	55.0487.2	WHITE CLOTH BAG 5 LAYERS FILTER	1
8	55.0455.0	LID CATCH MINI P7/781 ISS 1	4
9	55.0456.0	AD 54 SB TUCKER RIVET (FINISH 448)	14
10	31.0037.0	HOSE CONN SEAL 14/688	1
11	31.0077.000	NLET PLAIN PP ESD	1
12	72.0271.0	PLASTIC WASHER 9x4x1mm	16
13	55.1118.0	SAFE-T-VAC STICKER FOR TANK	2
14	55.0454.0	8MM X 16 POLYPLAST HEX HD SCREW	3
15	55.0496.0	FOAM RING	1
16	54.0032.0	WASHER M8 [22 x 8.5 x 2.0]	3
17	55.1099.701	AIRIN FILTER U15	1
18	55.1098.0	EVA FOMA SEALING FOR AIRIN FILTER	1
19	121.0098.0	SCREW M4X16 CROSS FLAT HEAD MACHING THREAD SST	1
20	55.1191.357	MOTOR HOUSING COVER	1
21	121.0055.0	SCREW M4X8 CROSS HEAD WITH FLANGE	4
22	55.1092.357	MOTOR HOUSING	1
23	55.1116.0	SILICON RUBBER FOR MOTOR OUTLET	1
24	55.1093.0	MOTOR TOP RUBBER	1
25	119.0140.0	BRUSHLESS MOTOR DC28V 300W H/L RCM-G86	1
26	55.1104.0	SPONGE FOR MOTOR OUTSIDE	1
27	55.1101.0	SPONGE FOR MOTOR HOUSING	1
28	55.1094.0	MOTOR BOTTOM RUBBER	1
29	106.1111.9	M4X8 FLAT HEAD MACHINING SCREW	2
30	S.119.0037.3 57	BATTERY INSERT CONNECTOR ASSM	2
31	119.0068.0	RUBBER BLOCK FOR MOTOR HOSUING WIRES	1
32	55.1113.0	BATTERY INSTALL COVER	1
33	55.1090.0	BOTTOM BASE ALUMINIUM DIE CASTING	1
34	55.0471.000	FOOT PEDAL PP+ESD	1
35	106.1111.6	M4X8 PWA HEAD SELF-STAPPING BLACK	1
36	72.0209.0B	SEALING GASKET EVA 3X1.5X593MM	1
37	55.0502.0/1A	SUPPORT COVER STAINLESS STEEL	1
38	55.1100.0	MOTOR BASE EVA FOMA	1

Exploded Views List

No.	Part No.	Description	QTY.
39	55.1114.0	SILICON RUBBER SEALING PART	1
40	55.1115.0	SILICON RUBBER SEALING PART	1
41	55.1091.0	BOTTOM COVER WITH PLATING NI	1
42	00.0121.2	SCREW M4X12 CROSSHEAD MACHINE STAINLESS	2
43	55.1097.701	AIROUT FILTER U15	1
44	55.1102.0	EVA FOMA SEALING FOR AIROUT FILTER	1
45	55.1096.0	AIR OUTLET AL COVER PLATE	1
46	55.1122.0	THUMB SCREW M4X10 STAINLESS STEEL	3
47	S.119.0123.7 97	I-POWER10.5, 14.4V10.5Ah,4S3P,Blue797	2
48	106.1111.28	M4*12 FLAT HEAD SELF-TAPPING SCREW	6
49	55.1119.357	EDGE COVER FOR BATTERY HOUSING	2
50	55.1103.0	PCB BOARD SAFE T VAC	1
51	113.0004.0	PAN HEAD SCREW M3X5	3
52	55.1095.0	COVER PLATE BOTTOM FOR MAIN PCB	1
53	106.1111.22	M3X8 FLAT HEAD MACHINING SCREW	3
54	55.1105.000	34MM SWIVEL WHEEL ESD RUBBER	4
55	55.1123.0	MATEL SERIAL NUMBER PLATE IN LASER PRINTING	1
56	120.0657.0	SCREW, M8x16, HEX HEAD,SS	3
57	106.1111.24	M4*12 PAN HEAD SELF-TAPPING SCREW	6
58	55.1117.0	SILICON RUBBER SEALING-3	1
59	72.0121.1	SCREW M4X12, CROSS HEAD, STANDARD THREAD, SST	2
60	55.0463.0	SOL TK PAD 18/686 ISS 1 D/F TK	4
61	55.0506.0	SWITCH ADAPTOR 23/661 LSS3	1
62	55.0504.0	MAIN SWITCH	1
63	55.1108.0	BATTERY SUPPLY WIRES, 14AWG	1
64	55.1109.0	MOTOR WIRE, 14AWG	1
65	55.1110.0	MOTOR WIRE, 14AWG	1
66	55.1111.0	RED/BLACK WIRE FOR SWITCH TO Main PCB 24AWG	1
67	02.0029.74/000	BEND END 32MM LONG VERSION ESD	1
68	55.0517.000	HOSE BLACK 32MM 2.5M	1
69	31.0088.000	LOCKING RING SCREW PP+ESD	1
70	31.0086.000	HOSE END CONN 35MM PP+ESD	1
71	22.0034.41	WAND 32X530MM STAINLESS RING INSIDE	2
72	S.02.0031.6/1	UPHOLSTERY TOOL 32MM W/O BRISTLE ESD WITH PRINT	1
73	S.02.0040.6	PLUMEAU ROUND 32MM ESD WITH HAIR	1
74	S.02.0032.6	CREVICE TOOL 32MM ESD WITH PRINT	1
75	22.9045.610_32	FLOOR TOOL ERGO OPS 32MM	1
76	S.119.0100.0	I-CHARGER 5A-4X FOR BATTERY I-POWER8.7/10.5	1
77	55.0144.0	SCREW S/TAP KB50X10 (71025)	4



i-team[®]