

i-drive®

Continuously easy

# User manual



## i-team Professional b.v.

Hoppenkuil 27b, 5626 DD Eindhoven, The Netherlands

Telephone: +31402662400

Email: [hello@i-teamglobal.com](mailto:hello@i-teamglobal.com)

Internet: [www.i-teamglobal.com](http://www.i-teamglobal.com)



**i-team®**



Original user manual, written in the English Language

---

Future Cleaning Technologies B.V.

Hoppenkuil 27b, 5626 DD Eindhoven, The Netherlands

---

Telephone: +31402662400

Email: [hello@i-teamglobal.com](mailto:hello@i-teamglobal.com)

Internet: [www.i-teamglobal.com](http://www.i-teamglobal.com)

---

Model: i-drive®

Date: 29/10/2020

Product code: i-drive

Version: v.4.0



## Preface

Thank you for choosing the i-drive®, the ride-on auto scrubber that cleans faster, cleaner, safer, greener, and is better for everyone. The battery operated i-drive is equipped with two counter-rotating disc brushes that provide a deep scrub and a great cleaning result. The i-drive significantly decreases the amount of water and chemicals needed, which leads to a greener result and reduces the risk of slippery floors.

Please read this manual carefully for important information and operating instructions before using the i-drive. Save this manual for future reference. This i-drive will provide excellent performance. The best results will be obtained when the i-drive is:

- regularly maintained per the i-drive preventive maintenance instructions in this manual;
- regularly serviced per service instructions in the service manual.
- operated with reasonable care and caution;
- maintained with manufacturer supplied parts.

Whenever this manual refers to “the manufacturer”, it means: Future Cleaning Technologies B.V., an affiliate company of i-team in Eindhoven, the Netherlands. Whenever this manual mentions “the partner”, it refers to your local i-team resell and support service partner.

## Purpose of the user manual

The purpose of the user manual is to provide the user with information during the life of the i-drive in such a way that the i-drive is used correctly, efficiently and safely, even in the event of reasonably foreseeable misuse, as described in section 1.2 of this manual.

The user manual contains instructions regarding:

- personal operator safety;
- intended and non-intended use of the i-drive;
- instructions for daily use;
- maintenance instructions;
- storage conditions;
- disposal of the i-drive.

These instructions must be considered to avoid risks that could lead to physical and/or material damage.

## Target audience

This user manual is intended for operators of the i-drive and their supervisors, as well as partners and importers.

## Operators of the i-drive

The i-drive may only be operated by a person who:





- has correctly read and understood the instructions in this manual;
- is trained by an experienced operator who has read and understood the instructions in this manual;
- is trained on an i-drive before using it.



## Reading guide

All forward, backward, front, rear, right, and left indications in this manual refer to the operator sitting in the driving position on the operator's seat.

The following symbols and terms are used throughout this manual to alert the reader regarding safety issues and important information:

Symbol	Term	Explanation
	<b>WARNING</b>	Indicates a hazardous situation which, if the safety instructions are not followed, can lead to injuries of the operator or bystanders and light or moderate damage to the product or the environment.
	<b>CAUTION</b>	Indicates a hazardous situation which, if the safety instructions are not followed, can lead to light and/or moderate damage to the product or the environment.
	<b>ATTENTION</b>	Indicates a liability situation for which the manufacturer or its partners and affiliates cannot be held accountable for damages caused by non-compliance.
	<b>BATTERIES</b>	Indicates a battery-operated machine. Batteries must be charged according to the instructions in the separate class I battery charger user manual. Batteries must be disposed of according to your local laws and regulations.



# Content

Preface.....	3
Purpose of the user manual .....	3
Target audience .....	3
Operators of the i-drive .....	3
Reading guide .....	4
1 Introduction .....	8
1.1 Intended use of the product.....	8
1.2 Non-intended use of the product .....	9
1.3 Lifespan .....	9
1.4 Modifications .....	9
1.5 Specifications .....	10
1.6 Warranty.....	12
1.7 Identification.....	12
2 Description .....	13
2.1 Control panel on the steering wheel .....	14
2.1.1 Multifunctional display .....	15
2.1.2 Codes alarm display .....	16
2.2 Solution level indicator .....	17
2.3 Safety features on the i-drive® .....	17
2.3.1 The emergency stop .....	17
2.3.2 The electromagnetic brake .....	18
2.4 Different types of squeegee blades .....	18
2.5 Disc brushes and pads.....	18
2.6 Cleaning agent .....	18
3 Safety .....	19
3.1 General safety instructions .....	19
3.1.1 Sweep before scrub .....	19
3.1.2 Disc brush condition .....	19
3.1.3 Batteries .....	19
3.2 Risks during operation .....	20
3.2.1 Dress adequately .....	20
3.2.2 Mark the job site.....	20
3.2.3 Careful when parking.....	20
3.3 Risks after operation .....	20
3.3.1 Remove battery packs .....	20
4 Transport and storage .....	21
4.1 General .....	21



4.2	Transport outside.....	21
4.3	Transport in a vehicle.....	21
4.4	Pushing or towing the i-drive .....	22
5	Assembly and installation .....	23
5.1	Unboxing .....	23
5.1.1	Contents of the delivery.....	23
5.1.2	Detaching the i-drive from the pallet .....	24
5.2	Assembly.....	24
5.2.1	Attaching the disc brushes and brush covers .....	24
5.2.2	Attaching the squeegee .....	24
5.2.3	Inserting the batteries .....	24
5.2.4	Attach the i-mop bar.....	24
5.2.5	Load the i-mop® lite.....	24
6	Operation .....	25
6.1	Before you start .....	25
6.1.1	Inserting the batteries .....	25
6.1.2	Filling the detergent tank.....	28
6.1.3	Filling the solution tank.....	29
6.1.4	Adjusting the seat.....	30
6.1.5	Personal locker .....	30
6.2	Operation procedure .....	31
6.2.1	Driving on the jobsite.....	31
6.2.2	Using reverse drive .....	33
6.2.3	Using the horn .....	33
6.2.4	At the job site .....	34
6.2.5	Working in ECO mode .....	35
6.2.6	Checking the solution level .....	35
6.2.7	Making an emergency stop.....	36
7	Maintenance .....	37
7.1	Cleaning.....	37
7.1.1	Clean the machine .....	37
7.2	Checking the machine operating hours .....	38
7.3	Maintenance tasks on the squeegee .....	39
7.3.1	Removing the squeegee body from the squeegee lifting plate .....	39
7.3.2	Placing the squeegee body back on the squeegee lifting plate .....	40
7.3.3	Cleaning, checking and replacing the squeegee blades .....	41
7.4	The disc brushes .....	44
7.4.1	Removing the disc brushes .....	44
7.4.2	Placing back the disc brushes.....	45
7.4.3	Cleaning the disc brushes.....	45
7.4.4	Replacing the disc brushes .....	46
7.4.5	Replacing the pads.....	46
7.5	Cleaning the recovery tank.....	47
7.5.1	Cleaning the separator.....	49
7.5.2	Cleaning the recovery water inlet .....	50
7.6	Cleaning the detergent filter and detergent tank .....	51
7.7	Charging the batteries.....	54



7.8	Unloading, loading and refilling the i-mop® lite.....	56
7.8.1	Unloading and loading .....	56
7.8.2	Refilling the cleaning solution tank of the i-mop lite .....	56
7.9	Cleaning the i-mop® lite plateau .....	57
7.10	Cleaning the suction line .....	58
7.11	Cleaning the water filter.....	60
7.12	Damaged or worn parts .....	61
7.13	Maintenance frequency .....	61
7.13.1	Maintenance frequency table .....	61
7.13.2	Servicing the i-drive.....	62
7.14	Storage .....	62
8	Trouble shooting .....	63
9	Decommissioning and disposal .....	64
10	Attachments.....	65
10.1	CE Certificate .....	65



# 1 Introduction

The i-drive® is an easy and safe machine to use. This manual helps you to get started and explains the operation and maintenance procedure. You will be pleasantly surprised by the fast and effective use of the battery operated i-drive. The battery packs contain the standard Li-ion battery used in various i-team products. When fully charged before use, the i-drive will operate up to 2 hours, depending on the brush pressure, surface and driving speed. Please refer to the user manual of the i-charge 9® for correct procedure.

This manual is intended for those who work with the i-drive and perform daily maintenance. The manual must be read in full before the first actions. This manual describes the correct method of use, safety measures, maintenance and transport.

i-team continuously improves all their products based on user experience and feedback. Any deviations between the texts and/or images from the manual and your i-drive could therefore arise from the difference in model or from possible changes due to continuous development and innovation.

## 1.1 Intended use of the product

The i-drive is a specialized machine for scrubbing hard floor surfaces, in civil and industrial environments, under verified safe conditions, and must be driven by a qualified operator. It is intended for use indoors and in a dry environment only. You must only use foam reduced detergents. Foam from normal scrubbing detergent will damage the vacuum motor.





### CAUTION

Dish washing soap is not suitable as a scrubbing detergent. It creates too much foam and can damage the vacuum motor and voids the warranty.

## 1.2 Non-intended use of the product



### WARNING

Non-intended use can have consequences for the safety of operators and bystanders and will void the warranty on the product.

- do not use the i-drive® to clean carpets or rugs;
- do not fill the i-drive with any flammable detergent. ONLY use water-based cleaning solutions;
- do not use water that exceeds 113° F/45° C. Using water above this temperature will void the tank warranty;
- do not use cleaning solutions with pH below 3 or above 11 in order to prevent damage to sensitive components;
- do not use the i-drive on rough surfaces. The i-drive is designed for smooth, hard surfaces only. rough surfaces will not give the desired result and increase the wear on the disc brushes;
- do not use the i-drive on surfaces exceeding the maximum allowed slope gradient;
- do not operate this i-drive over electrical floor outlets to avoid electrical shock;
- do not use the i-drive to scrub oil, diesel, petrol or other chemical components. While the i-drive wheels are resistant to oil, diesel or petrol chemicals will contaminate the wastewater and the recovery tank, as well as the disc brushes and squeegee. Oil resistant squeegee blades and disc brushes are available;
- do not use the i-drive as stepladder or platform;
- do not carry passengers on top of the i-drive, no riders;
- do not store the i-drive outside in order to avoid damage to electronic components;
- never operate the i-drive® near flammable dusts, liquids or vapors;
- never operate the i-drive when flammable or poisonous liquids like gasoline, oil, acids, or other volatile substances are on the floor;
- keep away from children! The i-drive is a professional cleaning machine to be used by trained adult operators;
- only use manufacturer-supplied parts for maintenance;
- remove the ignition key to prevent unauthorized personnel from using the i-drive;
- do not leave the i-drive unattended without ensuring that it cannot move by itself;
- do not drive the i-drive on public roads;
- do not use the i-drive in insufficiently lit or highly dusty environments.

## 1.3 Lifespan

To ensure proper and safe operation throughout the life of the i-drive, the machine must be checked and serviced by an authorized i-team partner, see also section 7.13.2.

## 1.4 Modifications

It is not permitted to make modifications to the design of the i-drive without consultation and permission from the manufacturer. Doing so affects the warranty, see section 1.6.



## 1.5 Specifications

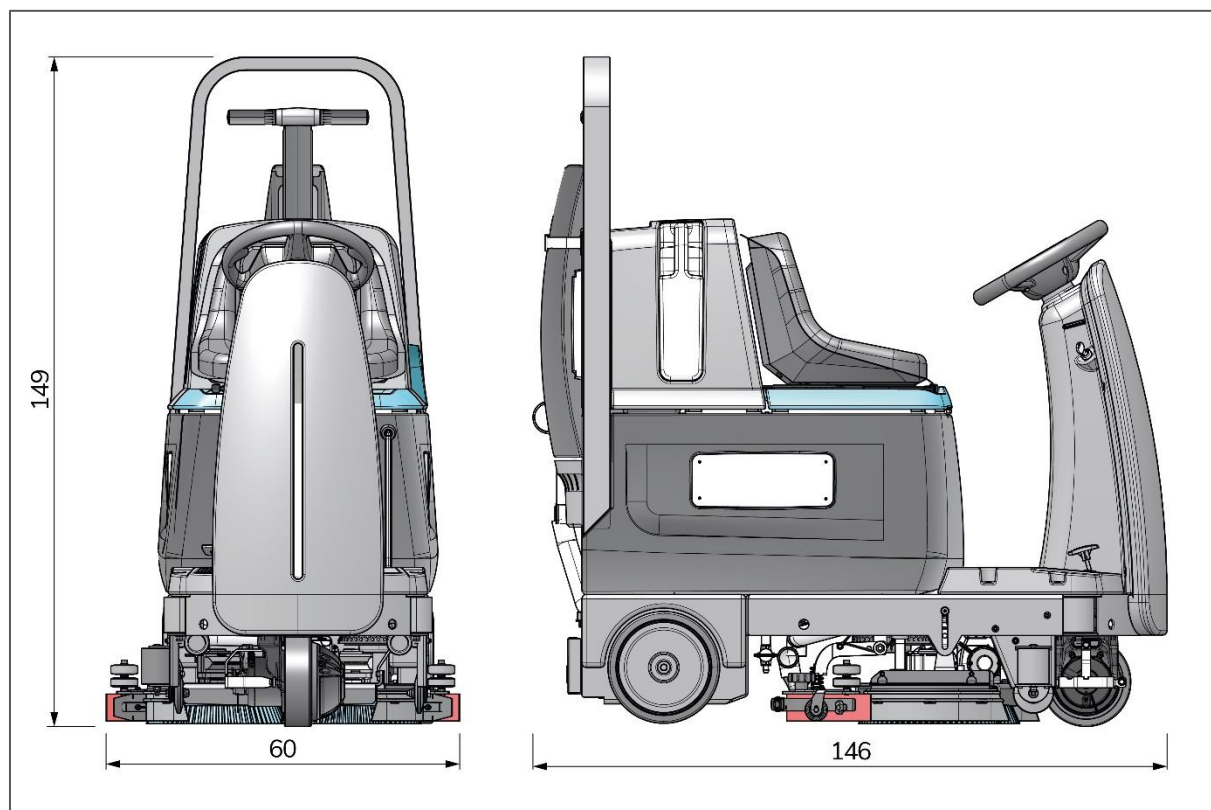


Figure 1

Machine size (L x W x H):	146 x 60 x 149 cm
Working width disc brush deck:	61 cm
Working width squeegee:	79 cm
Typical Operational Weight (GVV) (i-drive with 6 Li-Io batteries + i-mop lite + chemical tank):	208 kg
Gross Vehicle Weight (GVW) (i-drive with 6 Li-Io batteries + i-mop lite + chemical tank full + solution tank full + operator (75kg):	349 kg
Li-on batteries:	DC (25.2V, 14 Ah, 2117 Wh in total)
Battery capacity:	6 batteries
Operation time of batteries:	120 min
Operating temperature:	5° C up to +40° C
Storage temperature:	-20° C up to +70° C
Humidity:	30% up to 90%
Disc brush pressure:	24.8 gr/cm <sup>2</sup>
Disc brush speed:	175 RPM
Solution tank capacity:	58 L
Detergent tank capacity:	5.5 L
Recovery tank capacity:	54 L
Vibration:	Acceleration: 0.299 m/s <sup>2</sup>



Noise levels:	Operators ear when seated: 64,3 dB(A) (Sound pressure) Average around the machine: 68,5 dB(A) (Sound pressure) Sound power (sticker): 84,4 dB(A) (Sound power)
Theoretical performance:	Up to 2745 m <sup>2</sup> per hour
Practical performance:	1400 m <sup>2</sup> per hour
Speed:	Forward: 2.5/4.0/4.5 km/h Reverse: 3 km/h
Turning circle:	Left: 166 cm Right: 215 cm
Maximum slope normal operation:	10%
Maximal truck ramp:	18%
Working lights:	YES
Autobrake:	YES
i-mop lite storage:	YES
Disc brush wear indicator:	YES
Operation timer:	YES



## 1.6 Warranty

The i-drive® should be used as intended and described in this manual. Using the i-drive outdoors will void the warranty on the product.

The i-drive should only be operated with the materials supplied. Using alternative supplies may cause damage to the i-drive and may cause a risk to the operator. The use of alternative supplies voids the manufacturer's warranty. The warranty period is 1 year.

## 1.7 Identification

Each i-drive has a unique serial number that can be found on the platform for the i-mop lite, at the back side of the i-drive. Your i-team partner needs this number when you order parts.

Explanation type plate:



Distributor:

i-team Professional  
Hoppenkuil 27 b  
NL-5626 DD Eindhoven

Product type: SCRUBBER

Model: IDRIVE 65

Serial number: 000040

Figure 2



## 2 Description

The i-drive® consists of the following parts:

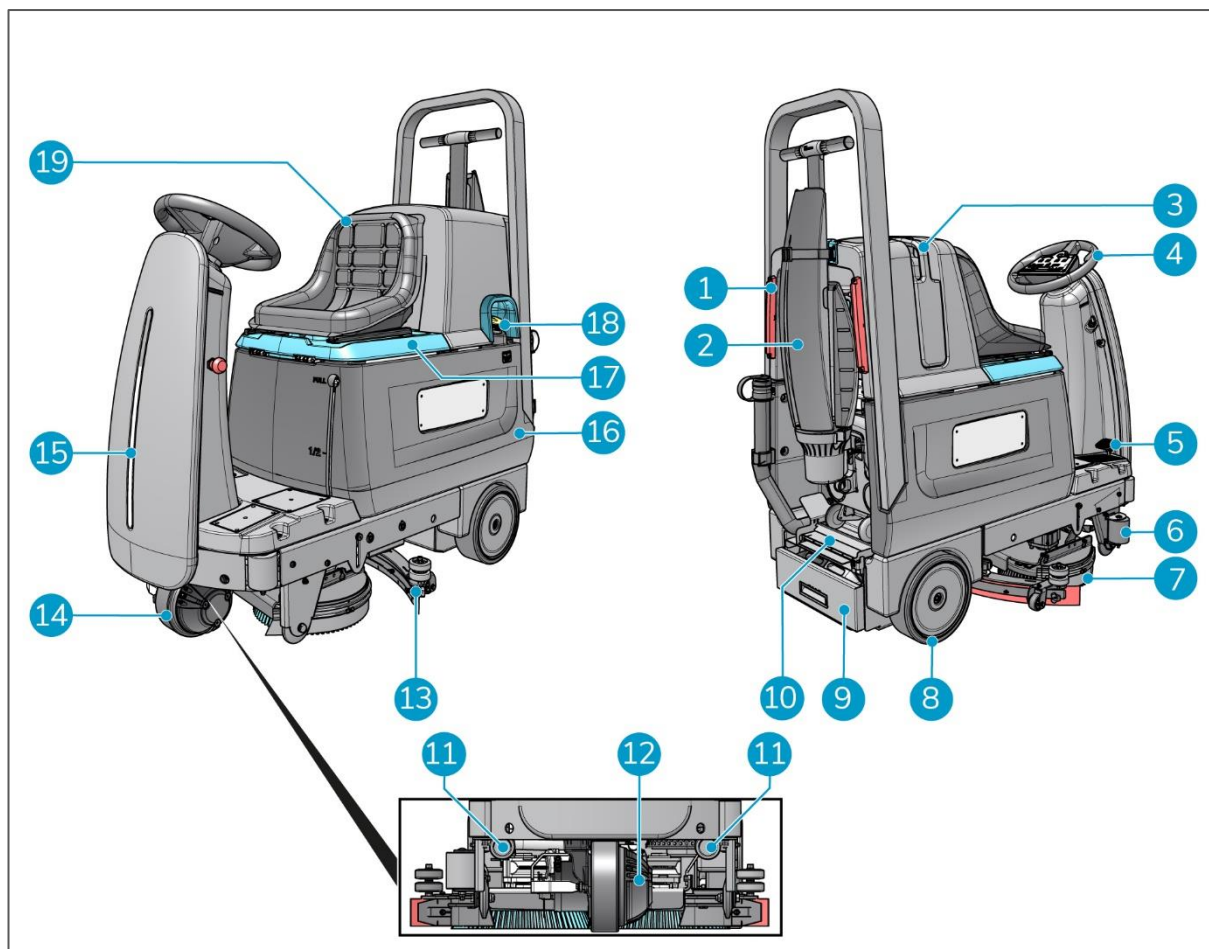


Figure 3

### Legend

- |  |                                      |
|--|--------------------------------------|
| 1. Two tail lights (drive and brake).                | 11. Two work lights.                 |
| 2. An i-mop lite (back view).                        | 12. An electromagnetic autobrake.    |
| 3. A detergent tank.                                 | 13. A squeegee and a vacuum hose.    |
| 4. A steering column and steering wheel.             | 14. A front-wheel (20 x 6 cm) motor. |
| 5. An accelerator pedal.                             | 15. A front-light (drive).           |
| 6. Two deflector rollers and tilt protection wheels. | 16. A main squeegee body.            |
| 7. Two rotating disc brushes.                        | 17. A recovery tank.                 |
| 8. Two back-wheels (25 x 7.5 cm).                    | 18. A solution tank.                 |
| 9. A battery drawer.                                 | 19. An adjustable operator seat.     |
| 10. An i-mop lite ramp.                              |                                      |



## 2.1 Control panel on the steering wheel

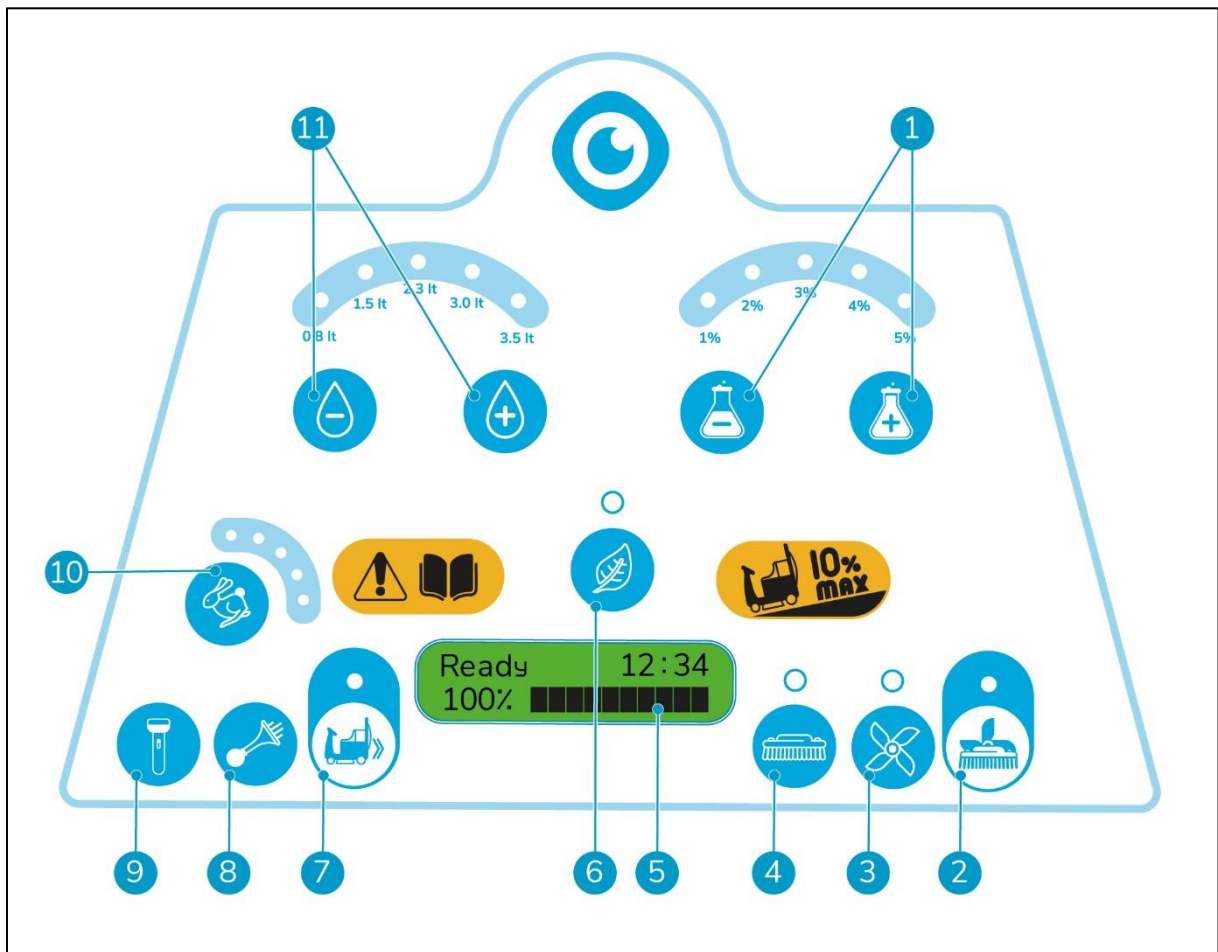


Figure 4

1. Detergent consumption, proportional to water consumption. Push the (-) touch button to diminish the consumption. Push the (+) touch button to increase the detergent consumption. There are five different levels indicated by the LEDs in the blue arch:
  - 1 LED on: 1%
  - 2 LEDs on: 2%
  - 3 LEDs on: 3%
  - 4 LEDs on: 4%
  - 5 LEDs on: 5%
2. Combined squeegee and disc brush ON/OFF touch button.
3. Squeegee and vacuum ON/OFF touch button.
4. Disc brush ON/OFF touch button.
5. Multifunctional display. See section 2.1.1
6. ECO mode ON/OFF touch button. If you switch the ECO mode to "ON", the voltage level on the disc brushes and vacuum motor is decreased by 30%. It does not slow down the speed of the i-drive.
7. Reverse touch button. If reverse is activated, the i-drive produces a sound and it drives at a reduced speed.
8. Horn touch button.
9. Working lights ON/OFF touch button.



10. Speed adjustment touch button. Five different speed levels, indicated by the LEDs in the blue arch. Push the push button to increase/decrease the speed. There are five different speed levels indicated by the LEDs in the blue arch:
  - 1 LED on: Max. 2.5 km/h
  - 2 LEDs on: 2.5 km/h
  - 3 LEDs on:
  - 4 LEDs on:
  - 5 LEDs on: Max. 4.5 km/h
11. Water consumption. Push the (-) button to diminish the water consumption. Push the (+) button to increase the consumption. There are five different levels indicated by the LEDs in the blue arch:
  - Level 1: 0.8 L/min (≈78 minutes using a full tank)
  - Level 2: 1.5 L/min
  - Level 3: 2.3 L/min
  - Level 4: 3,0 L/min
  - Level 5: 3.5 L/min (≈18 minutes using a full tank)

### 2.1.1 Multifunctional display

The multifunctional display has the following functions:

1. Indicate battery level (Figure 5, pos 2).
2. Indicate operation time in hours and minutes (Figure 5, pos 1).
3. Indicate i-drive "Ready" (Figure 5, pos 3).
4. Indicate alarm codes, see also section 2.1.2.
5. Indicate "Schedule service".

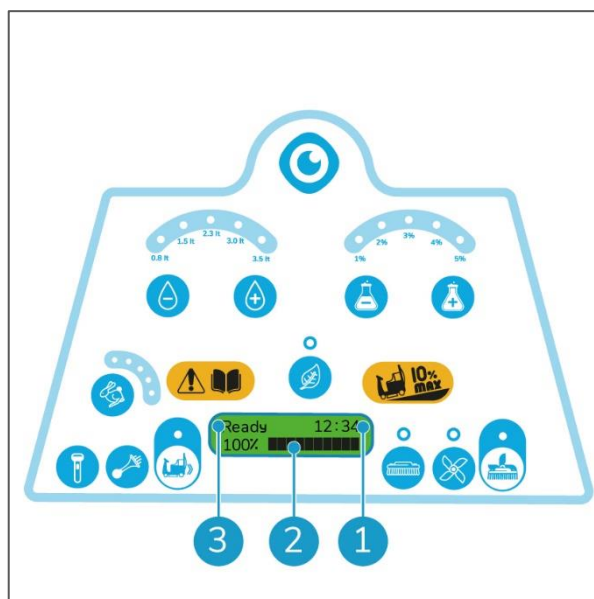


Figure 5



## 2.1.2 Codes alarm display



### ATTENTION

In case an alarm code occurs on the display, please contact service personnel or your i-team partner.

Alarm summary table control panel		
Alarm	Description	Solution
AL_1: Function Brushes Ammeter	Brushes ammeter protection.	Check brushes motor working current. Excessive and continuous working current detected on the brushes motor.
AL_2: Function Vacuum Ammeter	Vacuum ammeter protection.	Check vacuum motor working current. Excessive and continuous working current detected on the brushes motor.
AL_3: Function Power stage Fail	Power circuit damaged.	Brushes or vacuum power circuit damaged: replace the power board. The alarm may also be displayed if the machine is started when being towed or moving.
AL_4: Function Overcurrent	Brushes or vacuum overcurrent.	Short circuit on brushes or vacuum motor detected: check wirings and motors.
AL_5: Function Overtemperature	Brushes or vacuum circuit overtemperature.	Brushes and vacuum circuit power stage overtemperature: check if disc brushes run freely. Measure voltage output.
AL_7: Function Act2 endsw fail	Squeegee actuator limit switch reading failure.	Limit switch setting failure. Check connections and squeegee end switch position.
AL_8: Function Act1 timeout	Brush actuator movement over the time limit (12s):	Check connections and any mechanical obstructions.
AL_9: Function Act2 timeout	Squeegee actuator: end switch position not reached.	Squeegee actuator position not reached within the maximum time set. Check actuator connections and/or any mechanical obstructions.
AL_11: Function Water Level	Recovery water tank full.	Empty recovery tank. Check if the recovery tank floating switch works correctly.
"DRIVE" ALARM SUMMARY TABLE		
Alarm	Description	Solution
AL_13: Traction Pedal Failure	Pedal tear.	Check pedal potentiometer wirings.
AL_14: Traction Release Pedal	Pedal active at power on.	Moving switch active at power on: release the pedal.
AL_15: Traction Overtemperature	Traction circuit overtemperature.	Traction power stage overtemperature: check absorption.
AL_16: Traction Power stage Fail	Traction circuit damaged.	Traction circuit damaged: replace the power board. The alarm may also be displayed if the machine is started when being towed or moving.
AL_17: Traction Overcurrent	Traction overcurrent.	Short circuit on traction motor detected: check wirings and motors.
AL_18: Traction Tract. Ammeter	Traction ammeter protection.	Check traction motor's working current. Traction motor excessive overcurrent detected.
AL_19: Traction Motor Voltage	Internal reading mistake.	If failure persists, replace board.
AL_24: Traction Batt connection	Battery voltage < 10V.	Recharge batteries. If the batteries have been charged and the alarm occurs, check for loose connections between battery and electronic board.
"GENERAL" ALARM SUMMARY TABLE		
Alarm	Description	Solution
AL_20: General EEprom Failure	Internal eeprom reading error.	Replace board.
AL_21: General Key-off failure	Key-reading failure.	Rebound detected on the key signal: check battery-keyboard-function card connections.
AL_22: General Main relay failure	General relay damaged.	The general relay on the board looks damaged: replace the board. The alarm is triggered even in the event of a damaged power fuse.
AL_23: General Overvoltage	Overvoltage.	Function card overvoltage detected. Check battery connections.
AL_25: General Keyboard fail	Display-function card communication error.	Check connections between display and function card.





## 2.2 Solution level indicator

The optical solution level indicator is situated on the solution tank (Figure 6, pos 1) underneath the seat. This ensures that the solution level in the tank can be checked during filling of the tank. The floating switch inside the tank avoids that the pump runs dry. When it is activated, all cleaning functions of the i-drive® stop. You are still able to drive it.

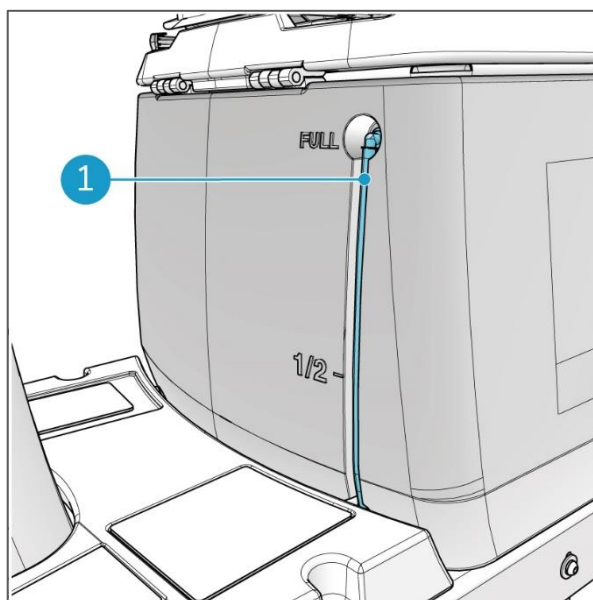


Figure 6

## 2.3 Safety features on the i-drive®

### 2.3.1 The emergency stop

The emergency stop button (Figure 7, pos 1) is positioned on the steering column.

1. To activate it, push it in. The i-drive shuts down completely.
2. To start the i-drive again, pull it out.

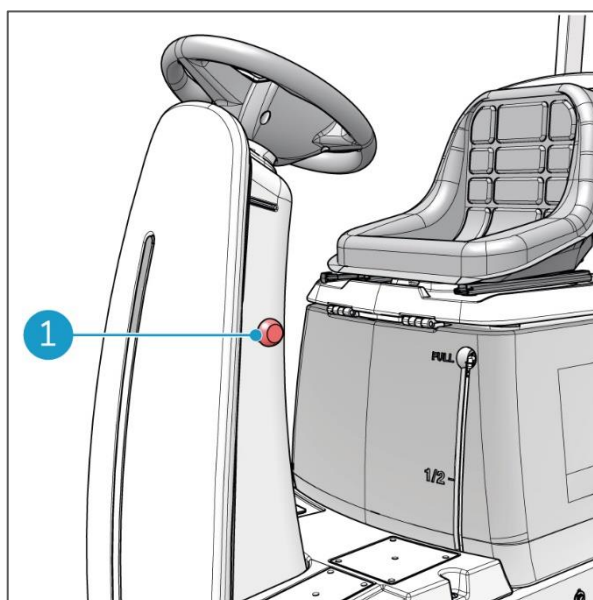


Figure 7



### 2.3.2 The electromagnetic brake

The electromagnetic brake (Figure 8, pos 2) is integrated in the front wheel. It keeps the i-drive® in brake mode when the i-drive is in "OFF" mode or in "ON" mode, but remains stationary (when your foot is not on the accelerator pedal).

In case you need to move the i-drive, push the red lever (Figure 8, pos 1) forward to unlock the brake. See also section 4.4.

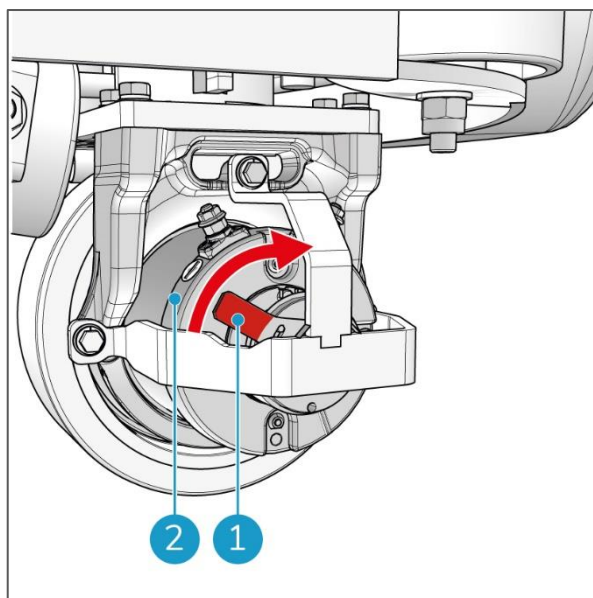


Figure 8

## 2.4 Different types of squeegee blades

You can order rubber blades or polyurethane blades for the squeegee, depending on the type of surface that you are going to clean with the i-drive. For more information please visit [www.i-teamglobal.com](http://www.i-teamglobal.com).

## 2.5 Disc brushes and pads

You can order disc brushes or pads. Brushes can be used to clean most types of surfaces. Pads are used in situations in which a low noise level is required, like offices and hospitals. For more information please visit [www.i-teamglobal.com](http://www.i-teamglobal.com).

## 2.6 Cleaning agent

You can use different foam reducing cleaning agents for different purposes. For instance, to kill bacteria, for non food or for an extra shiny effect. For more information please visit [www.i-teamglobal.com](http://www.i-teamglobal.com).



## 3 Safety

Safety comes first. Therefore, please take time to read and understand these safety instructions. Improper use can cause harm or void the manufacturer's warranty.

### 3.1 General safety instructions

#### 3.1.1 Sweep before scrub

Remove objects from the floor that can be propelled by the rotating disc brushes. In case of fire, use a powder extinguisher instead of water. Keep all protective and safety measures in place.

#### 3.1.2 Disc brush condition

Make sure to check the condition of the disc brush before use. Check the red indicator mark before you start (Figure 9, pos 1). See section 7.4.4. Make sure the machine is completely turned off when replacing the disc brushes.

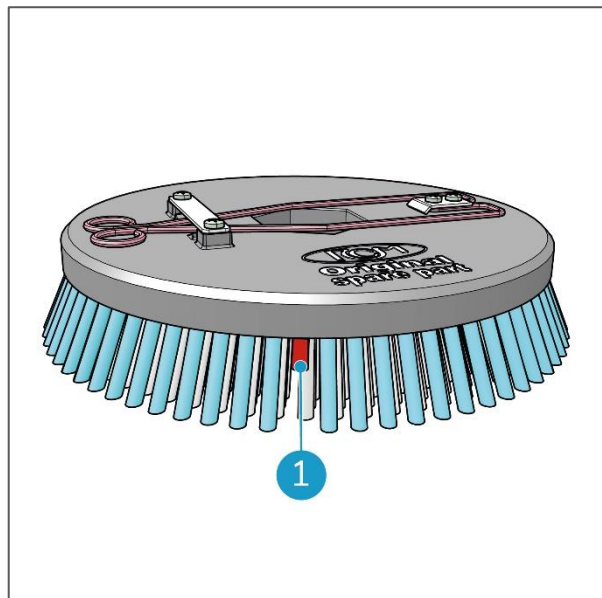


Figure 9

#### 3.1.3 Batteries

To charge the batteries, always use the automatic battery charger provided by the manufacturer.

#### CAUTION

During normal operation, the 24 V batteries in itself cause no safety hazard. Please keep in mind the following safety instructions:



- **DO NOT** crush, pierce or damage in any way;
- **DO NOT** heat or incinerate;
- **DO NOT** short-circuit;
- **DO NOT** dismantle;
- keep the batteries dry;
- keep away from sparks and flames;
- only charge between 5 °C ~ 40 °C/41 °F ~ 104 °F;
- only use between 5 °C ~ 40 °C/41 °F ~ 104 °F.



## 3.2 Risks during operation

### 3.2.1 Dress adequately

Do not wear a necktie, scarf, or any loose or dangling clothing or jewelry while operating the i-drive®. These can tangle in rotating parts, causing serious injury or death.

### 3.2.2 Mark the job site

The i-drive is designed to leave a dry floor without slippery patches, no additional drying is required. When running the i-drive with the vacuum function "OFF", please mark the job site with a wet floor marker.



#### **CAUTION**

Marking the jobsite with a wet floor marker is not required when using the vacuum function of the i-drive, unless this is a mandatory work safety requirement by local law. When unsure, mark the job site to warn passersby.

### 3.2.3 Careful when parking

Do not park the i-drive on ramps or slopes. Always park the i-drive on a level, hard surface.

## 3.3 Risks after operation

### 3.3.1 Remove battery packs

It is best practice removing the batteries before executing any cleaning or maintenance task or before storage. Charge the batteries for next use.



## 4 Transport and storage

### 4.1 General

Before storage or transport, drain and clean the machine.

### 4.2 Transport outside

Make sure you have a clear and even surface to drive on between buildings.



#### CAUTION

The machine can navigate a wheelchair ramp of less than 10%, but cannot turn around tight corners.

### 4.3 Transport in a vehicle



#### WARNING

**DO NOT** use the i-mop bar or plastic parts of the i-drive to secure it during transport. It will damage the i-drive.

You can transport your i-drive using a truck equipped with a loading ramp with a <math><18\%</math> slope. Make sure the machine is safely secured.

1. Make sure both tanks are empty.
2. Drive the machine up the loading ramp.
3. Turn off the machine.
4. Step off the machine.
5. Raise the loading ramp of the truck-bed level.
6. Turn on the machine.
7. Drive the machine into the truck.
8. Turn off the machine.
9. Secure the machine using straps or rope through the 4 holes in the chassis (Figure 10, pos 1).

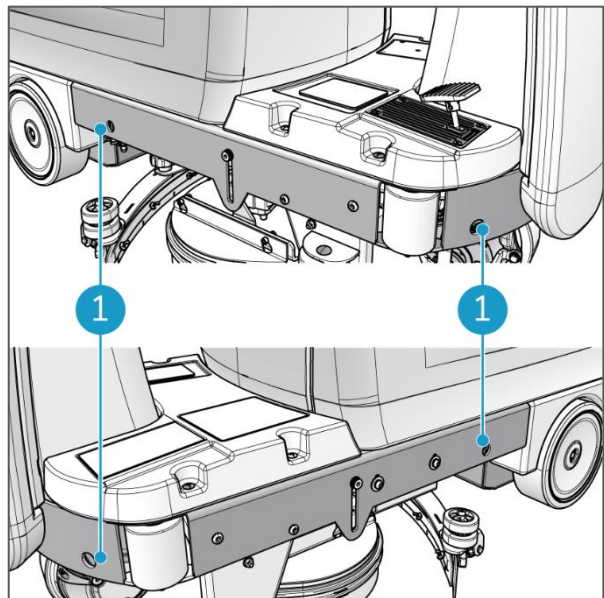


Figure 10



## 4.4 Pushing or towing the i-drive



### **WARNING**

- **DO NOT** exceed a speed of 3 km/h when pushing the i-drive.
- after manually moving the i-drive and with the electromagnetic brake engaged again, push the machine to check that the brake is actually enabled and properly functioning.
- never turn on the i-drive during the time the electromagnetic brake is released.

The electromagnetic brake must be released when the i-drive cannot be used due to low battery level or because there are no batteries or other causes. See section 2.3.2.



## 5 Assembly and installation

The i-drive® comes fully assembled. Most importantly, you will have to:

1. Attach the disc brushes and brush covers.
2. Attach the squeegee.
3. Insert the batteries.
4. Attach the i-mop bar.
5. Load the i-mop® lite. Please refer to the i-mop lite manual for assembly instructions.

### 5.1 Unboxing

The i-drive comes in a single delivery. The i-mop® lite is delivered separately in a box. The batteries and the charger are also delivered separately as they can also be used for other i-team products.

#### 5.1.1 Contents of the delivery

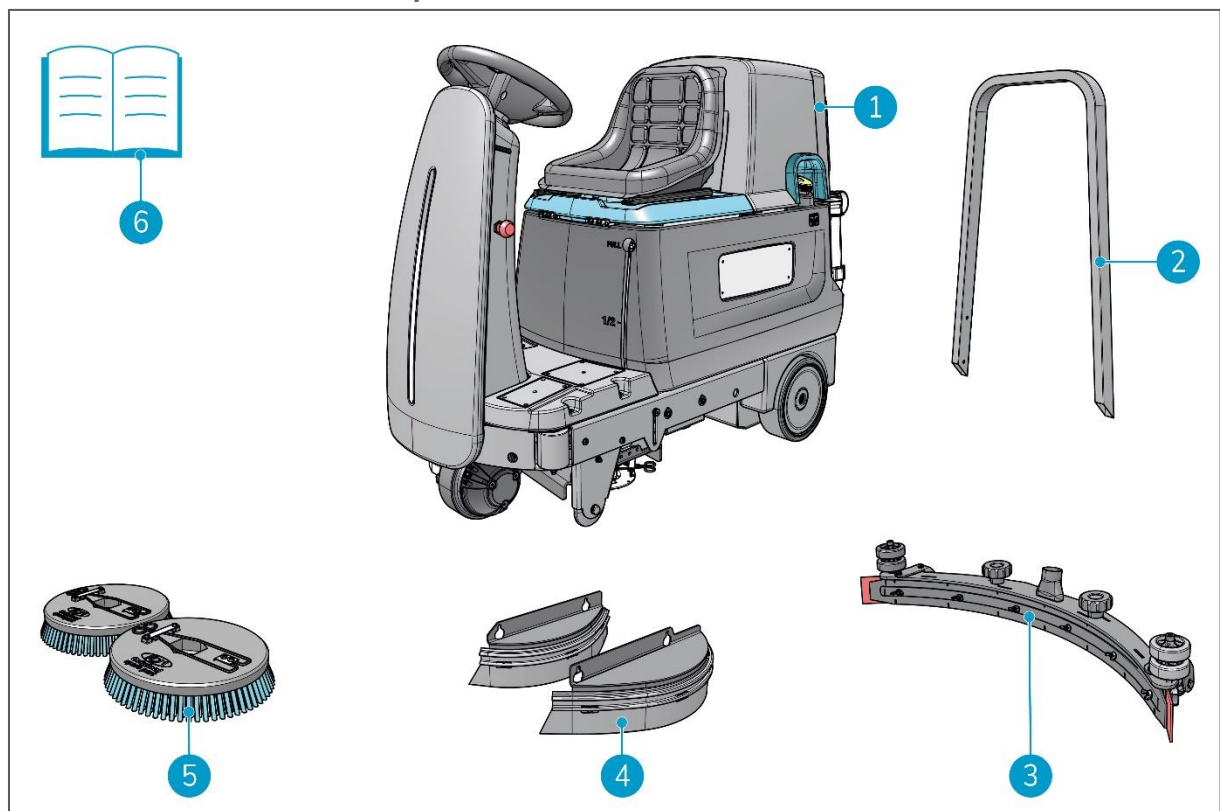


Figure 11

#### Legend

- |                         |                    |
|-------------------------|--------------------|
| 1. 1x i-drive           | 4. 2x brush covers |
| 2. 1x i-mop bar         | 5. 2x disc brushes |
| 3. 1x squeegee assembly | 6. 1x this manual  |



### 5.1.2 Detaching the i-drive from the pallet

The i-drive is mounted on the pallet for transport security.

1. Loosen the metal brackets at the front left and right side (Figure 12, pos 2).
2. Remove the two wooden planks that secure the rear wheels (Figure 12, pos 1). The i-drive is now free to be moved from the pallet.

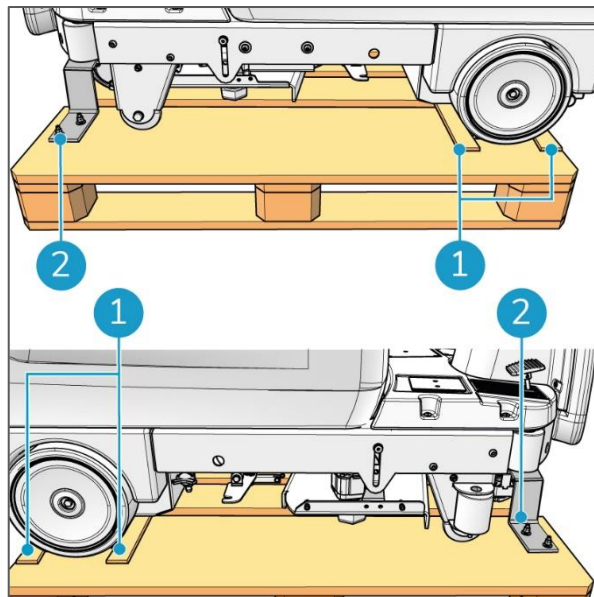


Figure 12

## 5.2 Assembly

### 5.2.1 Attaching the disc brushes and brush covers

Please see section 7.4.2.

### 5.2.2 Attaching the squeegee

Please see section 7.3.2.

### 5.2.3 Inserting the batteries

Please see section 6.1.1.

### 5.2.4 Attach the i-mop bar

1. Place the i-mop bar on the backside of the i-drive (Figure 13).
2. Tighten the 4 bolts (Figure 13, pos 1) (Torque is 15 Nm).

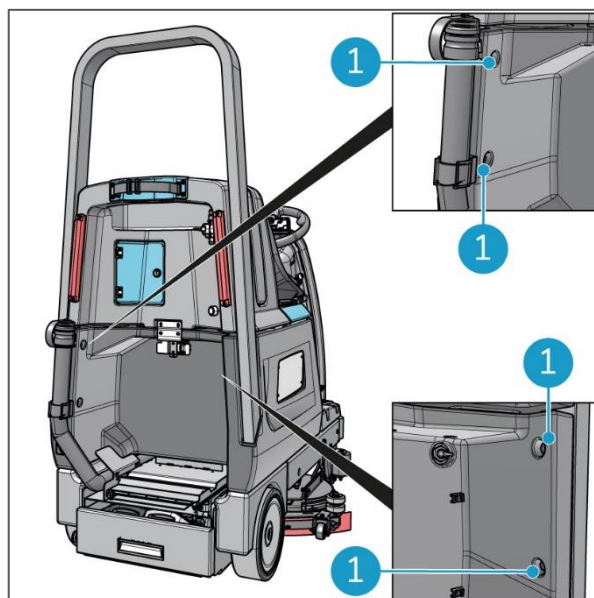


Figure 13

### 5.2.5 Load the i-mop® lite

Please see section 7.8.1.





## 6 Operation



### ATTENTION

Although the tanks in the i-drive® have been carefully cleaned before it is packed, small amounts of plastic debris could be found during the first hours of operation.

### 6.1 Before you start

Check the disc brushes (see section 7.4.4) and squeegee (see section 7.3.3) for wear and tear.

#### 6.1.1 Inserting the batteries

The battery drawer is located at the back of the i-drive.



### ATTENTION

It is recommended to fully charge the batteries before inserting them into the i-drive. How to charge the batteries, see User Manual i-charge® 9.



### ATTENTION

The batteries with the blue clips are all placed on the left side and the batteries with the grey clips are all placed on the right side.

1. Turn the ignition key to position "0" and keep the key with you.
2. Pull out the locking pin on the left side (Figure 14, pos 2) of the battery drawer.
3. Pull out the battery drawer by the black handle (Figure 14, pos 1), until it locks into place.

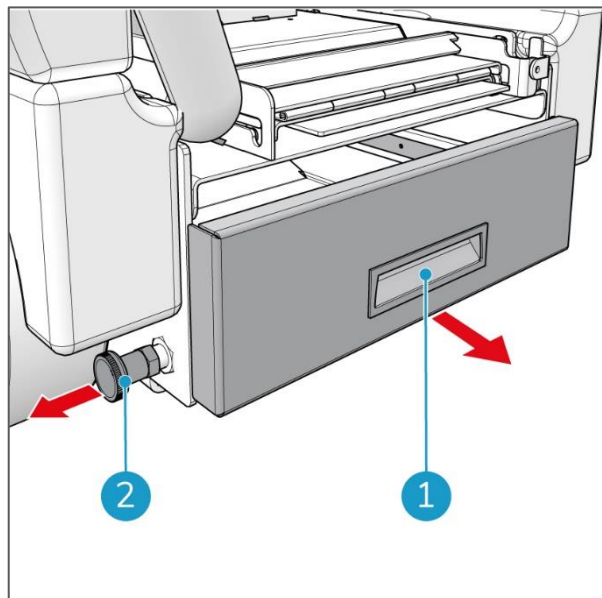


Figure 14

4. Place the batteries in the battery drawer. When they "click", they are locked into place (Figure 15, pos 1).

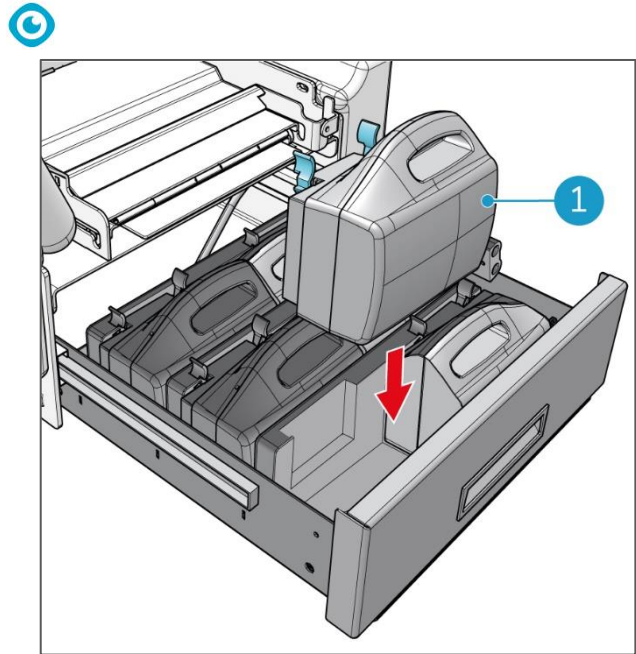


Figure 15

5. Pull out the locking pin on the left side (Figure 16, pos 2) of the battery drawer.
6. Push the battery drawer into the i-drive<sup>®</sup> by the black handle (Figure 16, pos 1) until it locks into place.

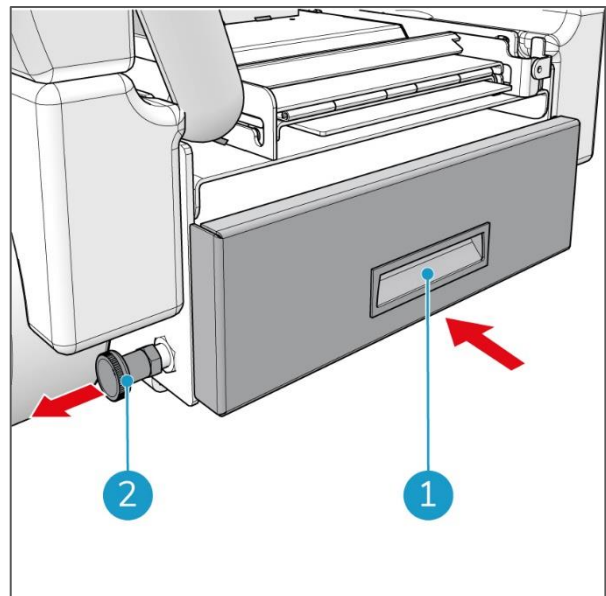


Figure 16

7. Turn the ignition key to position "I".
8. Wait a few seconds. The display should indicate 100% and all 10 bars of the battery level display should be visible (Figure 17, pos 1).

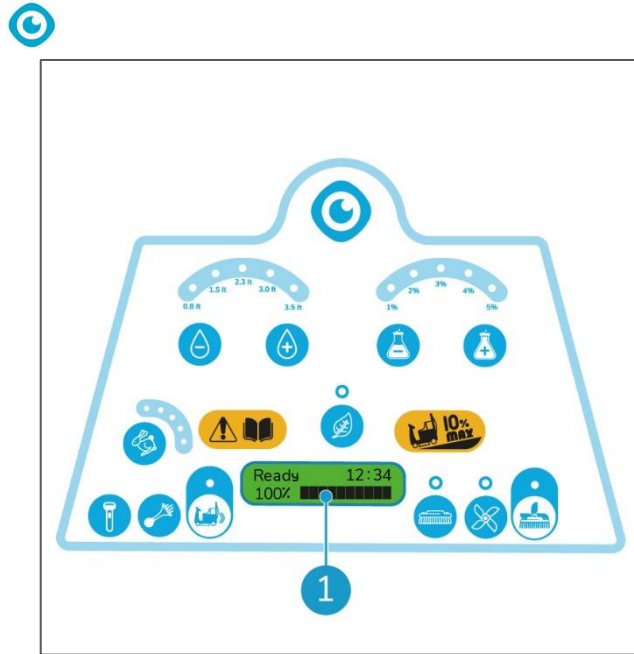


Figure 17



### 6.1.2 Filling the detergent tank



#### CAUTION

Wear protective gloves and protective glasses when filling the detergent tank.



#### ATTENTION

For specific cleaning tasks there are different cleaning agents. See section 2.6.

1. Remove the detergent tank and put it on a flat surface.
2. Open the yellow filler cap (Figure 18, pos 1).
3. While holding the handle and filler cap, pour in a maximum of 5.5 L of cleaning agent, using a funnel.
4. Replace the filler cap and make sure it seals tight.
5. Put the detergent tank back in the i-drive®, valve first and the handle facing towards you.
6. Clean your hands afterwards.

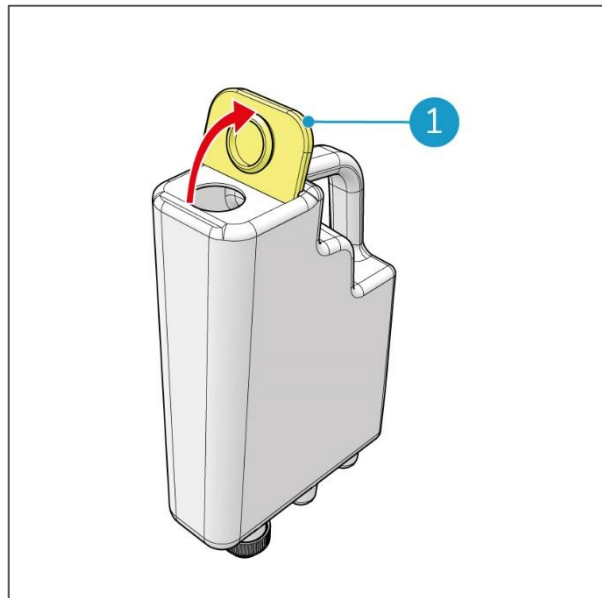


Figure 18



### 6.1.3 Filling the solution tank

1. Remove the yellow filler cap (Figure 19, pos 1).

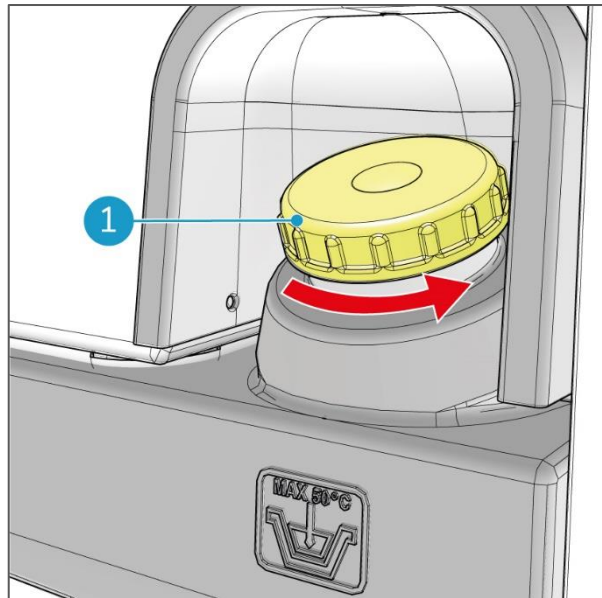


Figure 19

2. Place a water hose in the opening (Figure 20, pos 2).
3. While keeping an eye on the solution level indicator (Figure 20, pos 1), fill the tank with a maximum of 58 L of water.
4. Replace the yellow filler cap and make sure it seals tight.

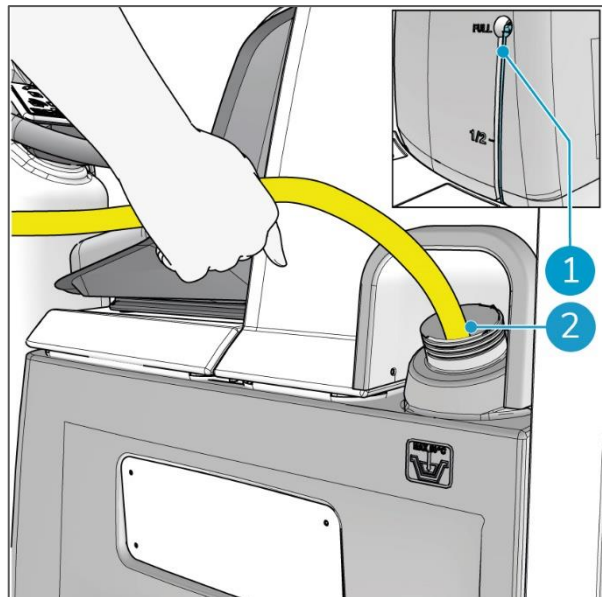


Figure 20



#### 6.1.4 Adjusting the seat

1. Take place on the seat behind the steering wheel.
2. Pull the seat lever sideways (Figure 21, pos 1).
3. Move the seat (Figure 21, pos 2) backward- or forward until you are comfortable behind the steering wheel.

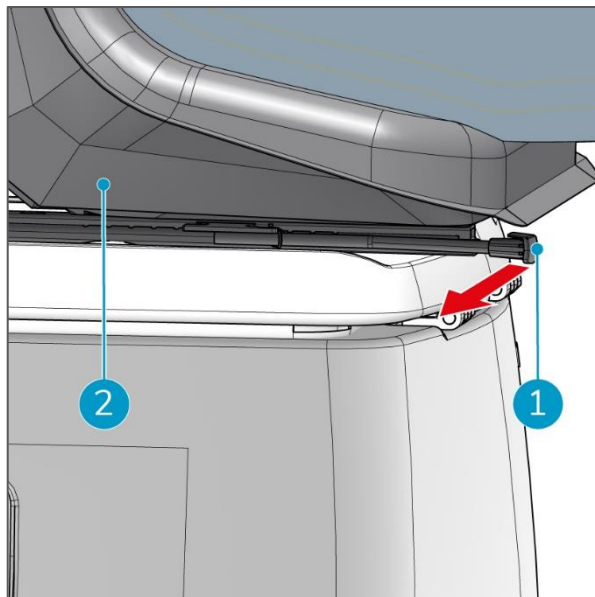


Figure 21

#### 6.1.5 Personal locker

Behind the i-mop lite you can find a personal locker (Figure 22, pos 1) where you can store personal belongings. It can be locked with a key supplied with the i-drive.

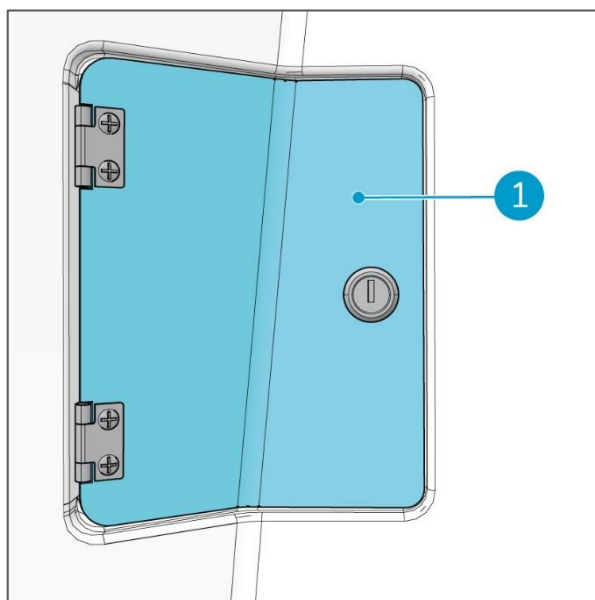


Figure 22



## 6.2 Operation procedure

### 6.2.1 Driving on the jobsite

1. Take place on the seat behind the steering wheel. The i-drive® is designed to run only when an operator is sitting on the seat.
2. Place the ignition key in the key hole (Figure 23, pos 1).
3. Turn the ignition key to position "I". The dashboard lights up.
4. Check the display for the start-up sequence to finish, it will show "Ready" (Figure 23, pos 4).
5. Check the battery level.



#### **CAUTION**

Make sure you have enough capacity left for the job to do. At 20% capacity, alarm level 1 will be activated and shuts down the squeegee and disc brush function.



#### **CAUTION**

**DO NOT** push the accelerator pedal before start-up sequence is finished.



6. Choose the desired driving speed: 1 (up to 2.5 km/h), 2 to 5 (2.5 to 4.5 km/h) (Figure 23, pos 2).
7. Gently push the accelerator pedal down (Figure 23, pos 3) to move forward.
8. Lift your feet off the accelerator pedal to brake, the automatic break will stop the machine.



### CAUTION

Take some time to get acquainted with the handling of the machine, note the smaller left turning circle compared to turning right.

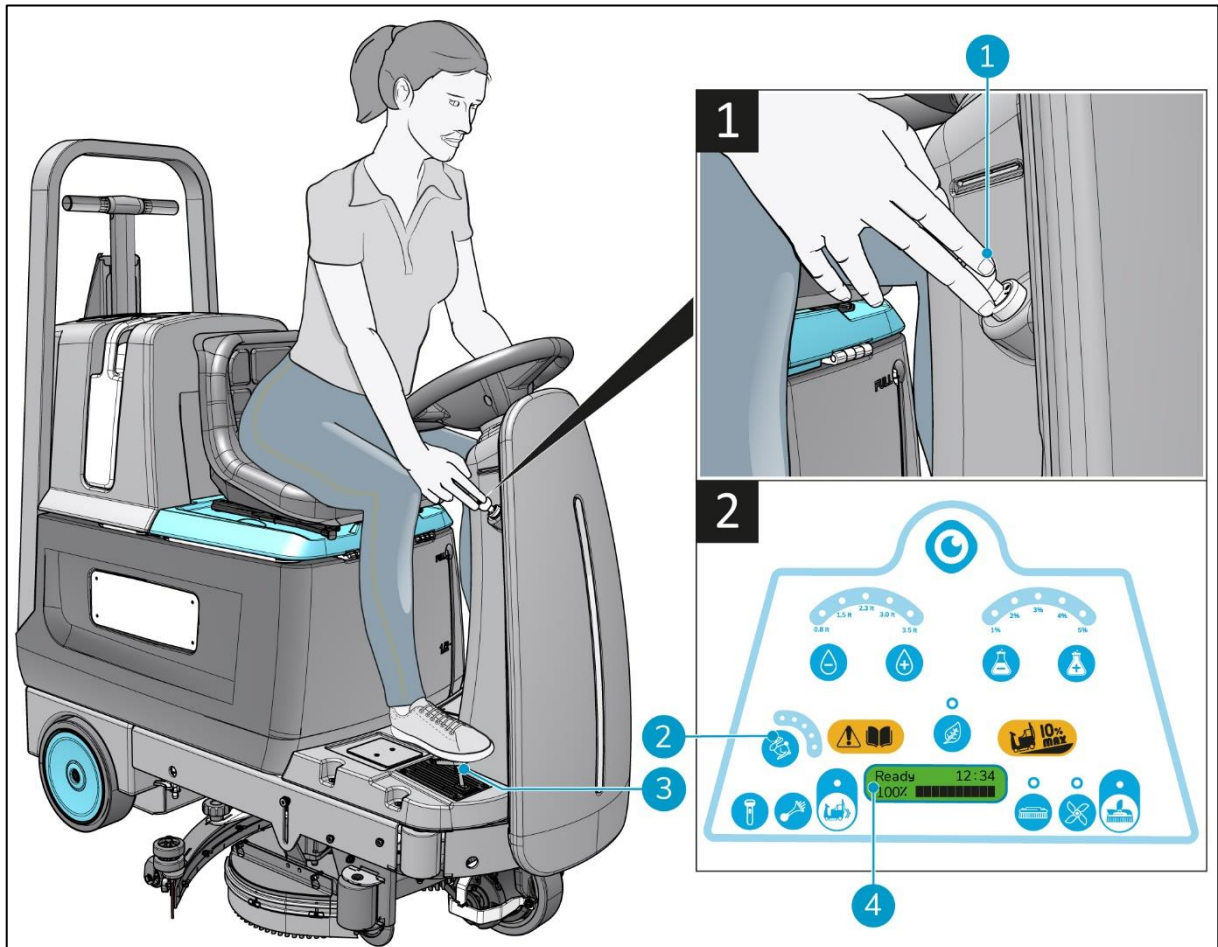


Figure 23





## 6.2.2 Using reverse drive



### ATTENTION

When the machine drives in reverse, a reverse signal is given.

1. Make sure the i-drive® is stopped and your foot is off the accelerator pedal.
2. Press push button (Figure 24, pos 1) to select reverse drive.
3. Gently push the accelerator pedal to move backwards.

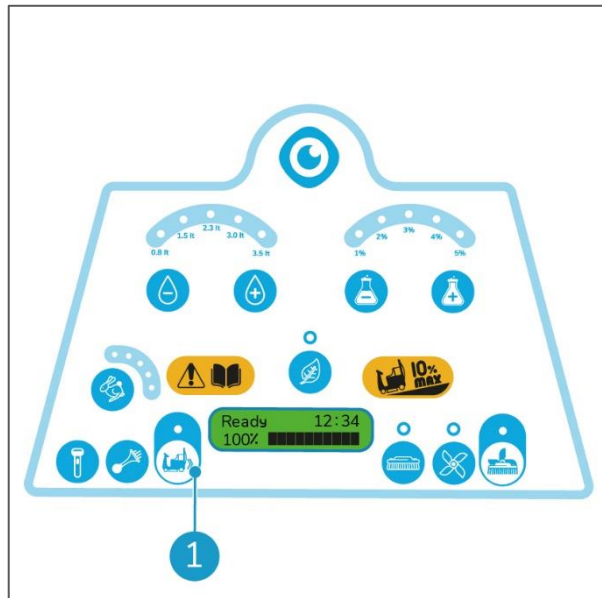


Figure 24

## 6.2.3 Using the horn

1. Push the horn button (Figure 25, pos 1) to sound the horn.

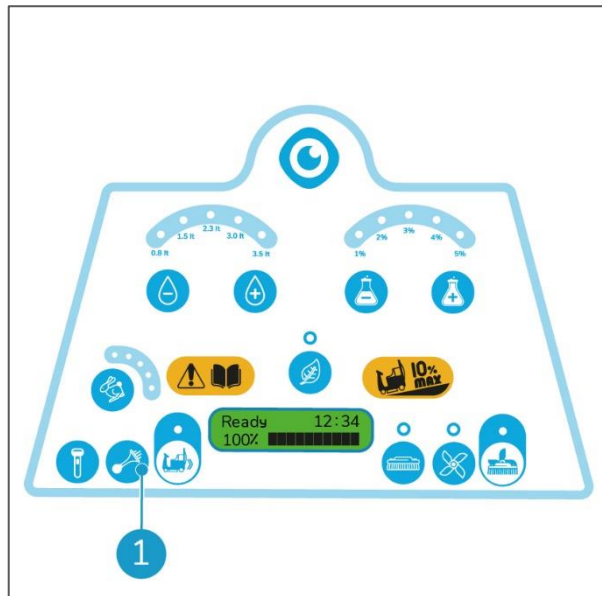


Figure 25



## 6.2.4 At the job site

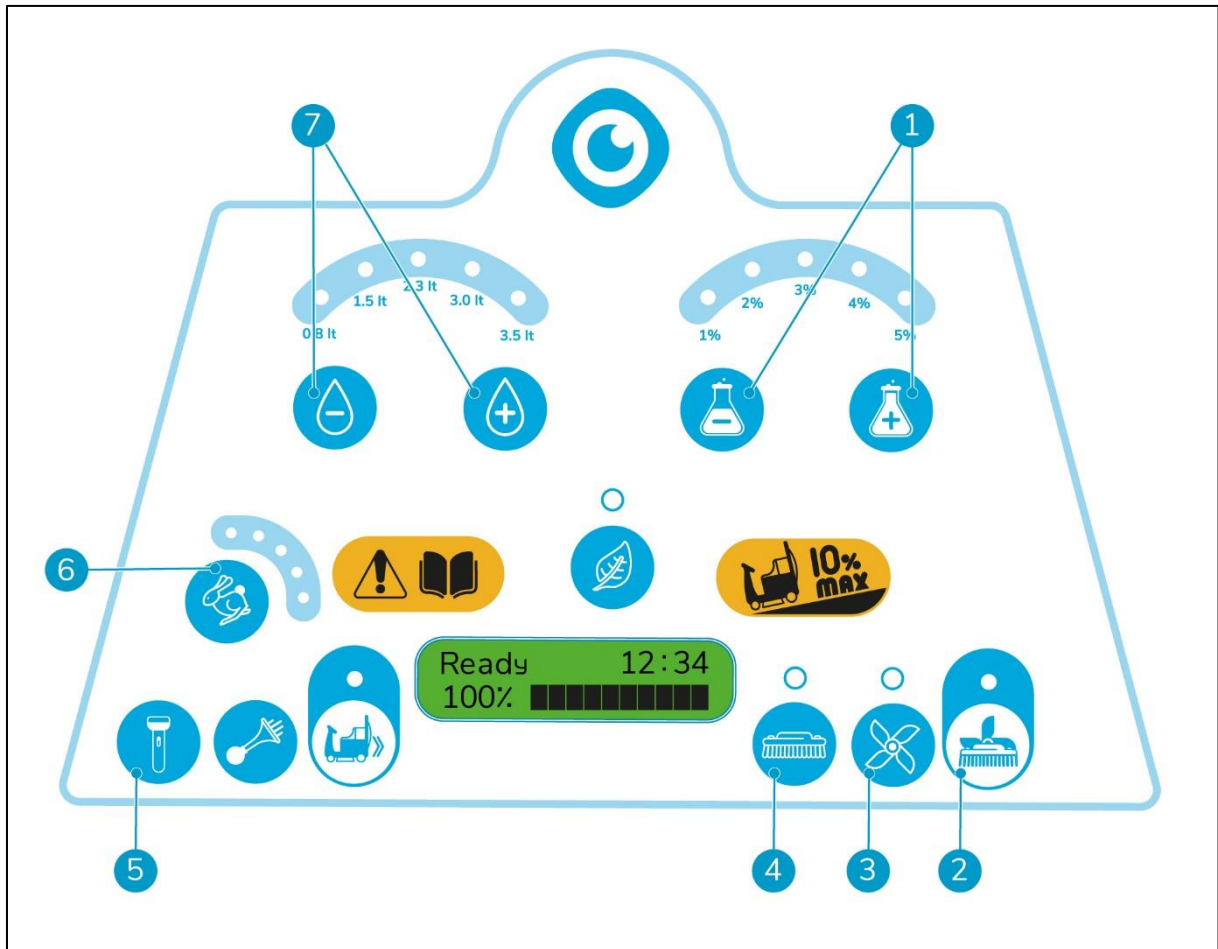


Figure 26

1. Choose the amount of water to use. Push the water touch buttons (Figure 26, pos 7) for more or less water. There are five different levels, see section 2.1.
2. Choose the amount of detergent to use, the level is always proportional to the amount of water.
3. Push the detergent touch buttons (Figure 26, pos 1) for more or less detergent. There are five different levels, see section 2.1.
4. Choose the operating mode;
  - disc brush motor ON/OFF (Figure 26, pos 4) or;
  - vacuum motor ON/OFF (Figure 26, pos 3) or;
  - disc brush and vacuum motor ON/OFF (Figure 26, pos 2).
5. Turn on the working lights (Figure 26, pos 5).
6. Choose your speed (Figure 26, pos 6).



### ATTENTION

The water level/detergent level and speed depend on the amount of dirt and smoothness of the floor. Driving at slow speed will improve cleaning performance using less detergent and water.

7. Gently press the accelerator pedal to start cleaning.



### 6.2.5 Working in ECO mode

The ECO mode (Figure 27, pos 1) will slow down the machine as well as reduce the usage of water and solution. See section 2.1.

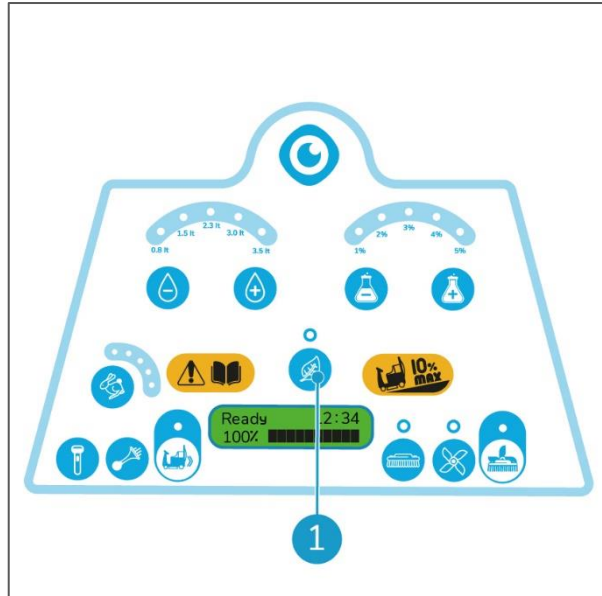


Figure 27

### 6.2.6 Checking the solution level



#### ATTENTION

It is important to check the solution level regularly as the i-drive® will shut down the squeegee and disc brushes if the solution level gets to 20%.

The solution level can be checked visually on the solution level indicator, which is situated on the solution tank (Figure 28, pos 1) underneath the seat. See section 2.2.

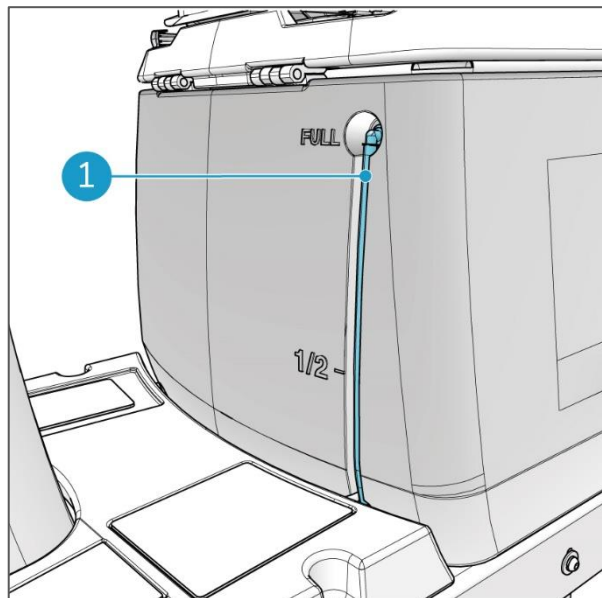


Figure 28



### 6.2.7 Making an emergency stop

In case of an emergency, push the emergency stop button (Figure 29, pos 1). It shuts down the machine completely. See section 2.3.1.

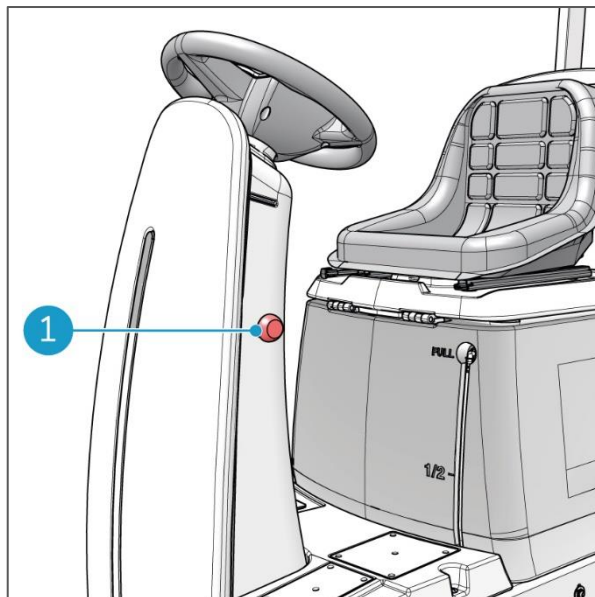


Figure 29



## 7 Maintenance



### WARNING

Before you start maintenance or replace parts, **make sure to turn off the i-drive® with the ignition key and keep the ignition key with you during maintenance, unless instructed otherwise.**

For a proper functioning and a long lifespan of the i-drive, it is important to follow the recommended maintenance intervals mentioned in this manual.

Maintenance that is not described in this manual should be performed by your i-drive partner. Please make sure to have the model, serial number and the amount of operating hours of the i-drive available when you call a partner. For more information please fill out the contact form on [www.i-teamglobal.com](http://www.i-teamglobal.com).

Maintenance and assembling or disassembling of the i-drive must only be done by a person who:

- has correctly read and understood the instructions in this manual;
- is qualified;
- is trained by an experienced operator who has read and understood the instructions in this manual;
- is an adult person;
- is a supervisor (for specific maintenance tasks).

### 7.1 Cleaning



### WARNING

**DO NOT** clean the i-drive with a high-pressure cleaner or with corrosive substances. This can cause damage to the electronical parts of the i-drive.

#### 7.1.1 Clean the machine

Clean the exterior of the machine using a damp cloth after operating it and before storing it.



## 7.2 Checking the machine operating hours



### ATTENTION

This maintenance task should only be done by a supervisor.

1. Take place on the seat behind the steering wheel.
1. Place the ignition key in the keyhole (Figure 30, pos 1).
2. Turn the ignition key to position "I". The dashboard on the steering wheel lights up.

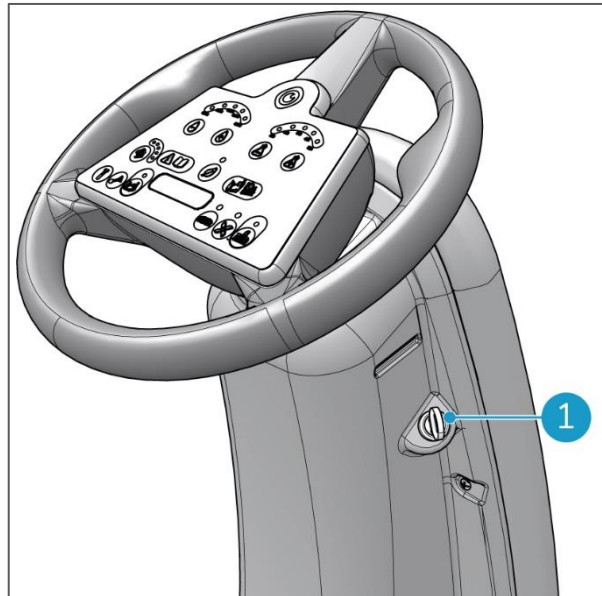


Figure 30

3. Wait until "Ready" (Figure 31, pos 2) appears on the display.
4. The amount of operating hours and minutes spent is shown in the top right corner of the display (Figure 31, pos 1).
5. Check the maintenance frequency table in section 7.13 to see which actions should be taken.
6. Turn the ignition key to "0" to switch off the i-drive®.

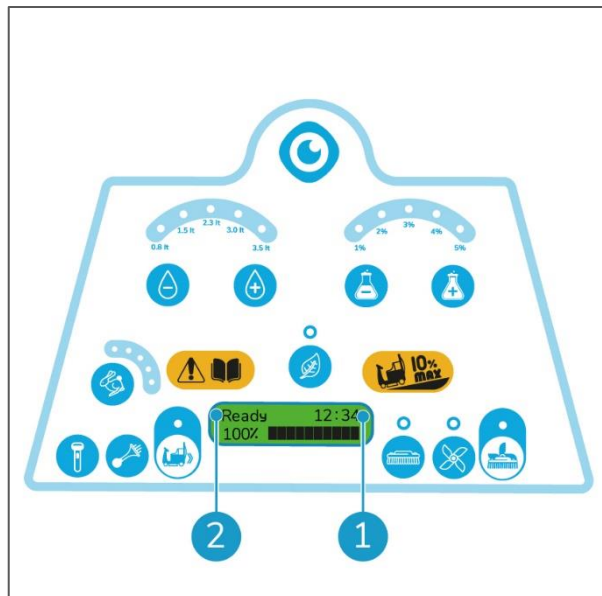


Figure 31



## 7.3 Maintenance tasks on the squeegee

### 7.3.1 Removing the squeegee body from the squeegee lifting plate



#### CAUTION

Be careful with your hands, a strong spring pushes the squeegee lifting plate down!

1. Take place on the seat behind the steering wheel.
2. Turn the ignition key to position "I". After a few seconds the text "Ready" appears on the display (Figure 32, pos 2).
3. Press the push button (Figure 32, pos 1). The squeegee moves to its lowest position.
4. Turn the ignition key to position "0" and remove it. Keep the key with you during maintenance.

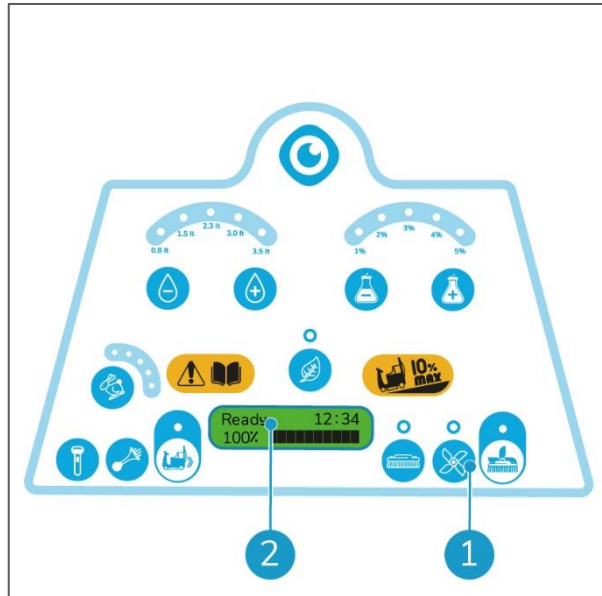


Figure 32

5. Go to the right side of the i-drive®.
6. Remove the vacuum hose from the hose connector (Figure 33, pos 1).
7. Loosen the two rotary knobs (Figure 33, pos 2).
8. Pull the squeegee body backwards, out of the squeegee lifting plate (Figure 33, pos 3).
9. Carefully remove the squeegee body from underneath the i-drive.
10. Place the squeegee body on an even surface or on the floor. It is now ready to be cleaned or maintained.

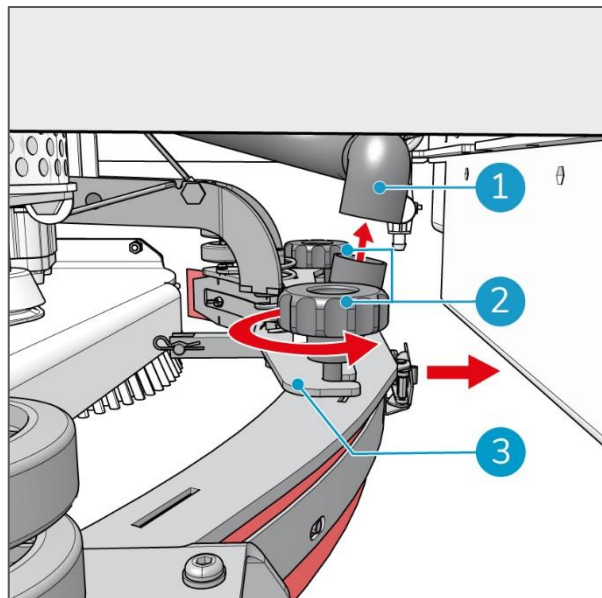


Figure 33



### 7.3.2 Placing the squeegee body back on the squeegee lifting plate

1. Position the squeegee body under the i-drive®, line up the rotary knobs with the cutouts in the squeegee lifting plate.
2. Lift the squeegee lifting plate.
3. Slide the rotary knob of the squeegee body, the furthest away from you (Figure 34, pos 1), into the cutout of the squeegee lifting plate (Figure 34, pos 3). Make sure to push it fully into the cutout.
4. Tighten the rotary knob hand tight (Figure 34, pos 1).
5. Repeat for the rotary knob closest to you (Figure 34, pos 2).
6. Push the vacuum hose onto the hose connector of the squeegee (Figure 35, pos 1).
7. Check that the vacuum hose fits tightly.
8. Take place on the seat, behind the steering wheel.
9. Place the ignition key back in the keyhole. Turn the ignition key to position "I". The squeegee will move to its highest position.
10. After a few seconds the text "Ready" appears on the display (Figure 32, pos 2).

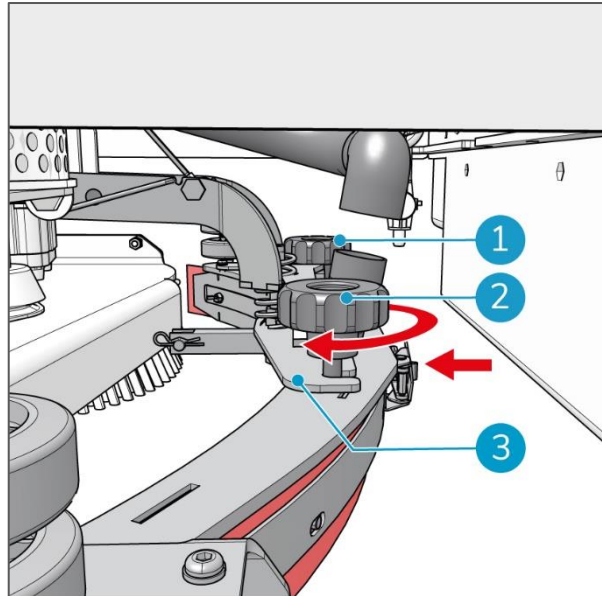


Figure 34

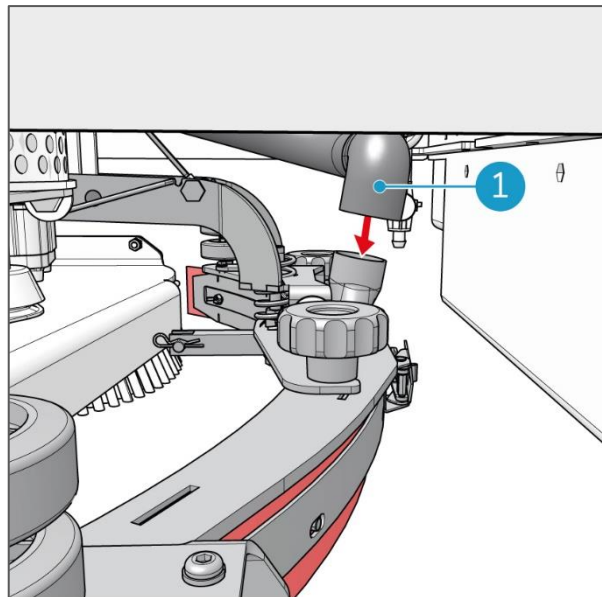


Figure 35





### 7.3.3 Cleaning, checking and replacing the squeegee blades



#### CAUTION

Wear protective gloves when cleaning the squeegee, as sharp debris may be attached to it.



#### ATTENTION

In order to dry the floor properly, the squeegee must be clean and the blades in good condition. The rear blade must have a square angle for effective cleaning.

#### TIP:

**Daily cleaning can be done with the blades in the squeegee body. Clean the edges of the blades with a damp cloth. Only step 1 and step 15 need to be done.**

1. To remove the squeegee body from the squeegee lifting plate of the i-drive®, please see section 7.3.1.

Removing the back blade (no holes).

2. Loosen the small rotary knobs at both ends of the squeegee (Figure 36, pos 1).
3. Remove the clamping plate (Figure 36, pos 2) of the back blade.
4. Remove the back blade from the squeegee frame (Figure 36, pos 3).

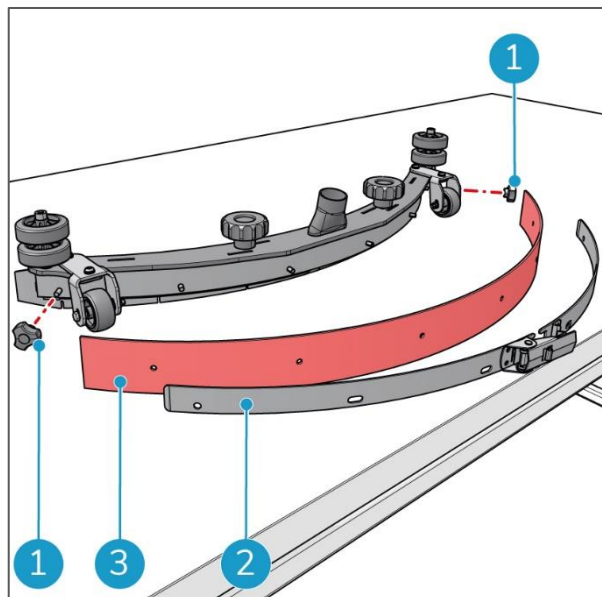


Figure 36

Removing the front blade (with holes).

5. Loosen the six wing nuts of the front blade (Figure 37, pos 2).
6. Remove the clamping plate of the front blade (Figure 37, pos 3).
7. Remove the front blade (Figure 37, pos 1) from the squeegee body.

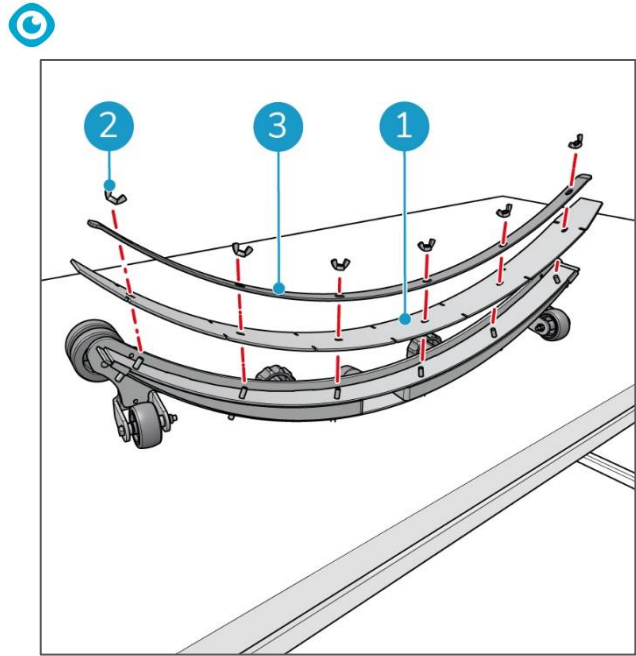


Figure 37

8. Clean the squeegee blades with tap water in a sink.
9. Carefully remove debris from the recovery water inlet (Figure 38, pos 1) by hand.

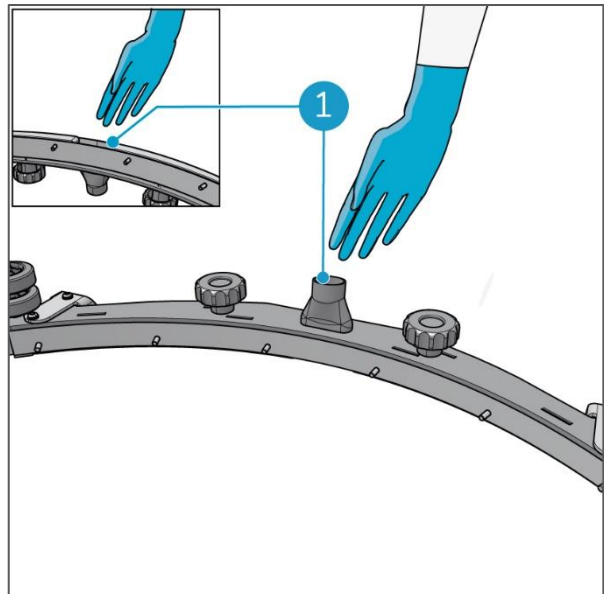


Figure 38

10. Check the back blade.  
The working edge of the back blade (Figure 39, pos a) must have a square angle ( $90^\circ$ ), otherwise it does not scrape efficiently. If it is worn, you can use one of the other edges (Figure 39, pos b, c, d). If all four edges are round or the back blade is damaged or torn on the top and bottom, replace it by a new one.

11. Check the front blade.  
If it is damaged or torn on the top and bottom, replace it by a new one.

Placing back the back blade. See Figure 36.

12. Place the back blade and the clamping plate on the squeegee body.

13. Hold the clamping plate into place with the two small rotary knobs.

14. Lock the clamping plate.

Placing back the front blade. See Figure 37.

15. Do step 5 to 7 in reverse order, start tightening the wing nuts on one side and work to the other side.

16. To replace the squeegee body on the squeegee lifting plate of the i-drive®, please see section 7.3.2.

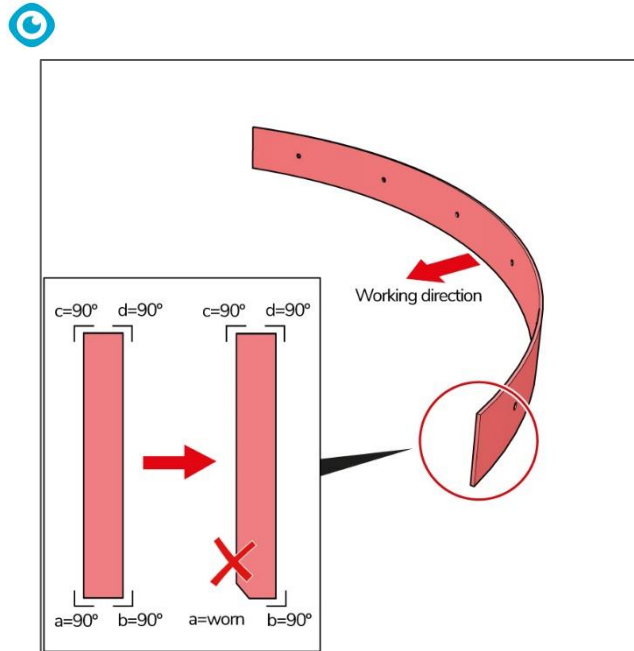


Figure 39



## 7.4 The disc brushes

### 7.4.1 Removing the disc brushes



#### ATTENTION

The supporting bolts are fixed for transportation, please check them and loosen them if they are fixed.

1. Make sure that the ignition key is in position "0" and remove it. Keep it with you during maintenance.
2. Lift the grey brush cover a little.
3. Pull it from its supporting bolts (Figure 40, pos 1) to remove it.
4. Carefully place it on the floor or a level surface.

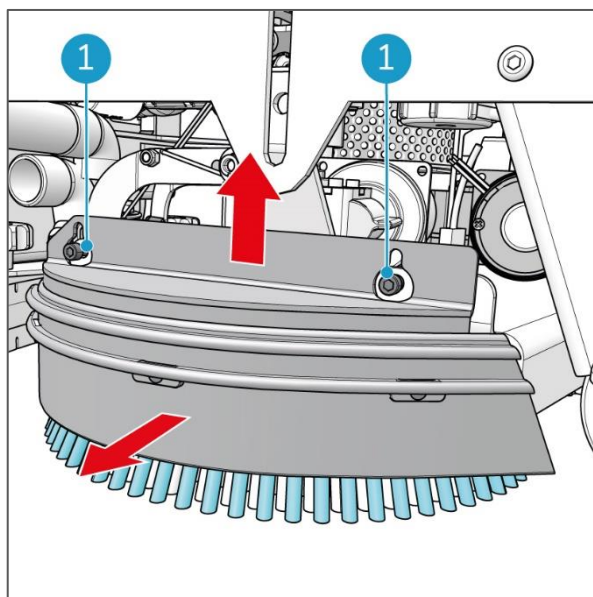


Figure 40

5. Push the two springs (Figure 41, pos 1) fully outward until they lock into place, behind the cams. The clamp is now released.
6. Carefully remove the disc brush (Figure 41, pos 2).
7. Place it on the floor or on a level surface.
5. Repeat this sequence for the second disc brush.

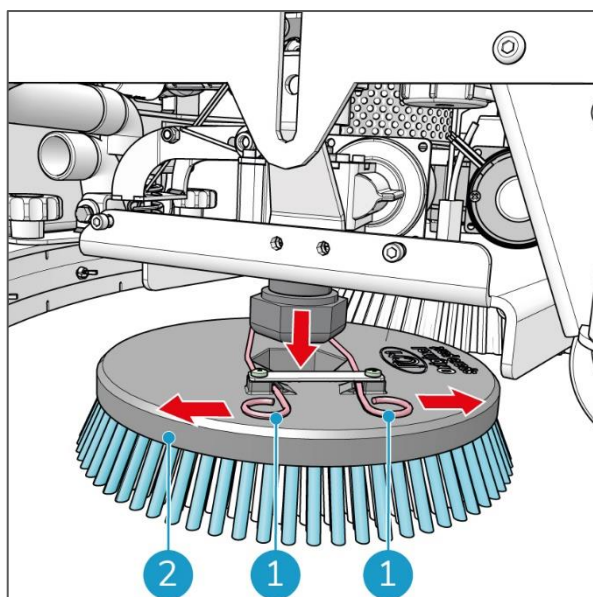


Figure 41



### 7.4.2 Placing back the disc brushes

1. Make sure that the springs (Figure 42, pos 1) are locked into place behind the cams (Figure 42, pos 2).
2. Push the disc brush on the hexagonal nut of the drive shaft (Figure 42, pos 3) and wiggle it until you feel it is in place.
3. Release the springs to lock the clamp on the hexagonal nut (Figure 42, pos 3).
4. Align the holes of the grey brush cover (Figure 40) with the supporting bolts (Figure 42, pos 4).
5. Place the grey brush cover on the support bolts, push it down to lock it.
6. Repeat this sequence for the second brush.

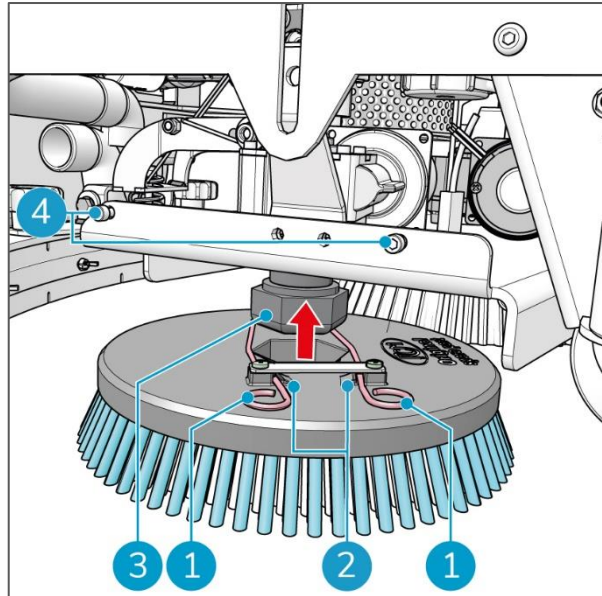


Figure 42



#### WARNING

After replacing the disc brush, check that it is secured as the disc brush rotates at high speed and a loose disc brush can cause serious harm.

### 7.4.3 Cleaning the disc brushes



#### CAUTION

Wear protective gloves when cleaning the disc brushes as sharp debris may be attached to it.

1. To remove the disc brushes, please see section 7.4.1.
2. Check both disc brushes for metal parts, debris that can damage the surface of the floor or cigarettes.
3. Carefully remove the debris from each disc brush by hand (Figure 43, pos 1).
4. To place the disc brushes back, please see section 7.4.2.

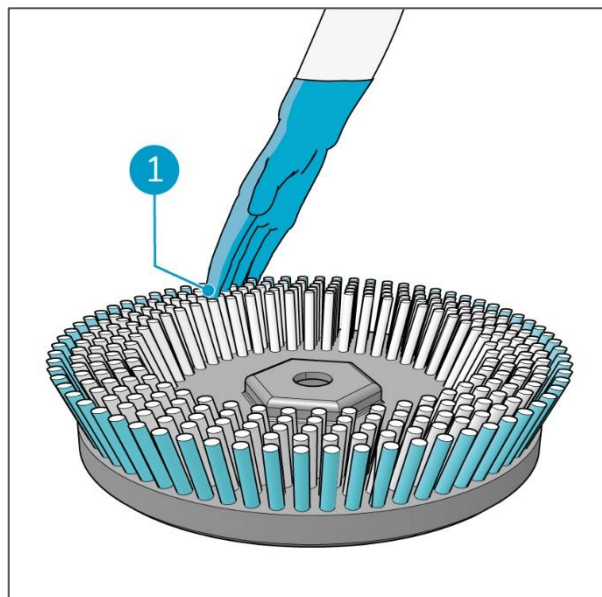


Figure 43



## 7.4.4 Replacing the disc brushes



### ATTENTION

Each disc brush has a wear indicator. This is the red bristle group. If the disc brush is worn near to the length of the red bristle group, it needs to be replaced.

1. To remove the disc brushes, please see section 7.4.1.
2. Check the condition of the disc brushes. If the bristle length is near the length of the red bristle group (Figure 44, pos 1), it needs to be replaced.
3. To place the disc brushes back, please see section 7.4.2.

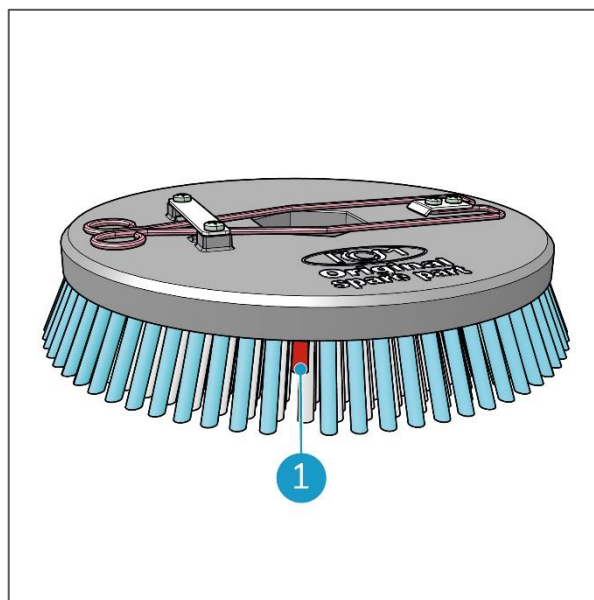


Figure 44

## 7.4.5 Replacing the pads

1. To remove the pad drivers, please follow the same procedure as for removing the disc brushes, see section 7.4.1.
2. Check the condition of the pads (Figure 45, pos 1). If they look compressed, they lose their function and they need to be replaced.
3. Pull the pad out of the three locking tabs (Figure 45, pos 2) and remove the pad from the pad driver (Figure 45, pos 3).
4. Lock the new pad to the pad driver by pushing it with your thumbs behind the three locking tabs.
5. Repeat for the second pad.
6. To place the pad drivers back, please see section 7.4.2.

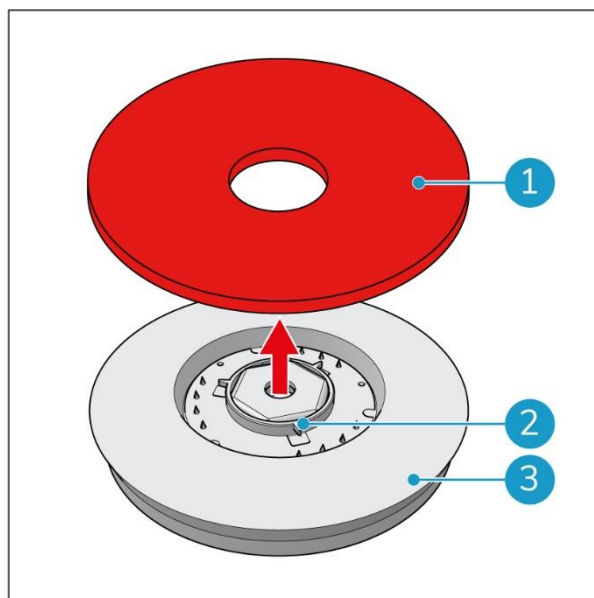


Figure 45



## 7.5 Cleaning the recovery tank

### WARNING



- **DO NOT** pour water in the suction inlet (covered by the rubber flap) as this will damage the vacuum motor;
- wear protective gloves;
- the maximum temperature of any fluid in the recovery tank is 50 gr. Celsius;
- make sure that you follow your local regulations with regard to wastewater.

1. Position the backside of the i-drive® in a recovery water disposal area.
2. Turn the ignition key to "0" and keep the key with you during maintenance.
3. Open the lid of the recovery tank (Figure 46, pos 4).
4. Check the rubber seal (Figure 46, pos 3), if it is polluted, clean it with a damp cloth.

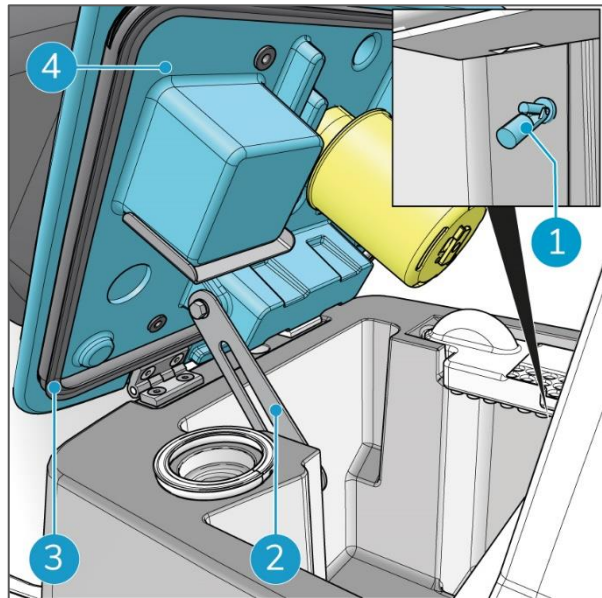


Figure 46

5. Release the recovery tank wastewater tube (Figure 47, pos 2) from the clamp (Figure 47, pos 4).
6. Fold the tube so you create a blockage (Figure 47, pos 3).
7. Place the recovery tank wastewater tube above the recovery water disposal drain.
8. Loosen the lid (Figure 47, pos 1) of the recovery tank wastewater tube.
9. Carefully unfold the tube so the wastewater is released into the drain in a controlled way.
10. When the recovery tank is empty, hose down the tank with water (Figure 46).
11. Clean the underside of the lid with water (Figure 46).
12. Clean the float switch (Figure 46, pos 1) with water to avoid that it sticks.
13. When the recovery tank is clean, place the recovery tank wastewater tube in the clamp (Figure 47, pos 4).
14. Tighten the lid of the recovery tank wastewater tube (Figure 47, pos 1). Make sure it seals correctly to avoid false air being sucked in.

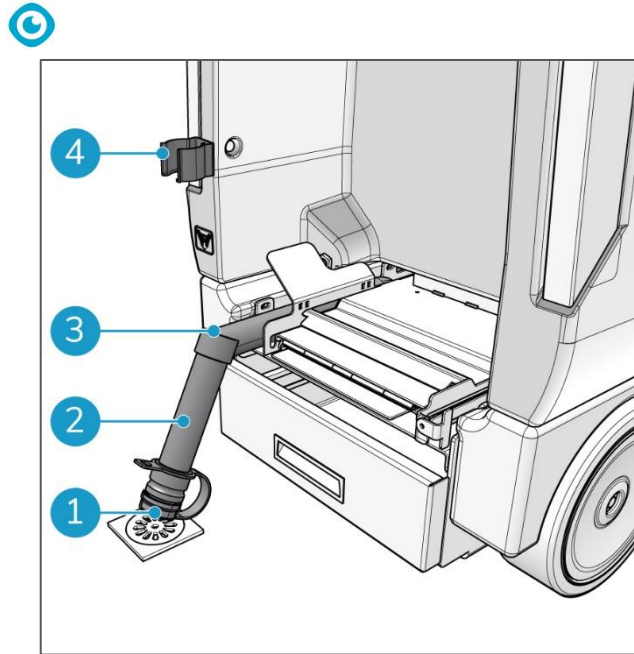


Figure 47



### ATTENTION

For easy use and good sealing, clean and grease the sealant ring in the lid of the recovery tank wastewater tube daily.





### 7.5.1 Cleaning the separator

1. Turn the yellow cup (Figure 48, pos 2) from the separator (Figure 48, pos 1) anti clockwise to remove it.

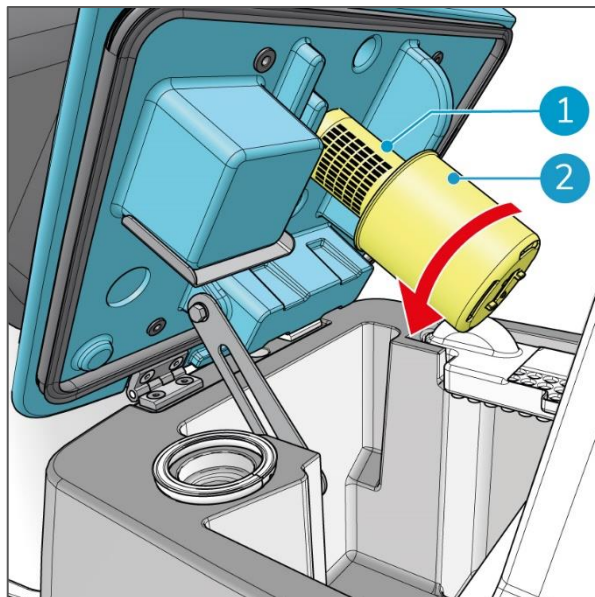


Figure 48

2. Clean the yellow cup with tap water, above a sink (Figure 49, pos 1).
3. Clean the separator with a hose (Figure 49, pos 2).
4. Turn the yellow cup clockwise to tighten it.

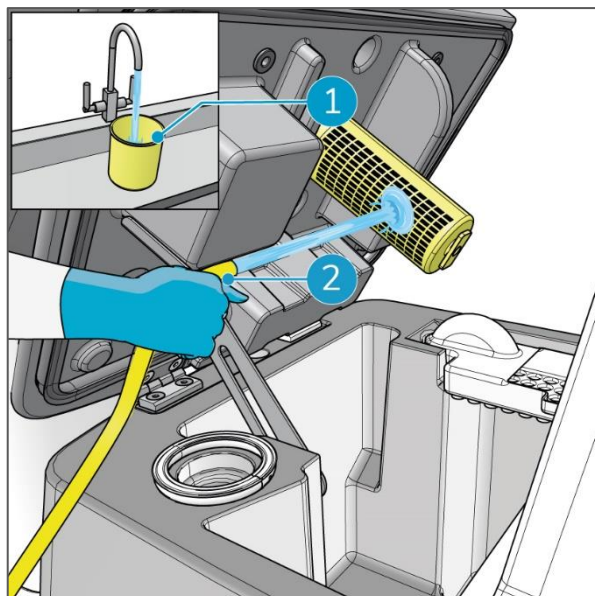


Figure 49



## 7.5.2 Cleaning the recovery water inlet



### CAUTION

Wear protective gloves when cleaning the recovery water inlet as sharp debris may be attached to it.

1. Remove the recovery water inlet (Figure 50, pos 1).

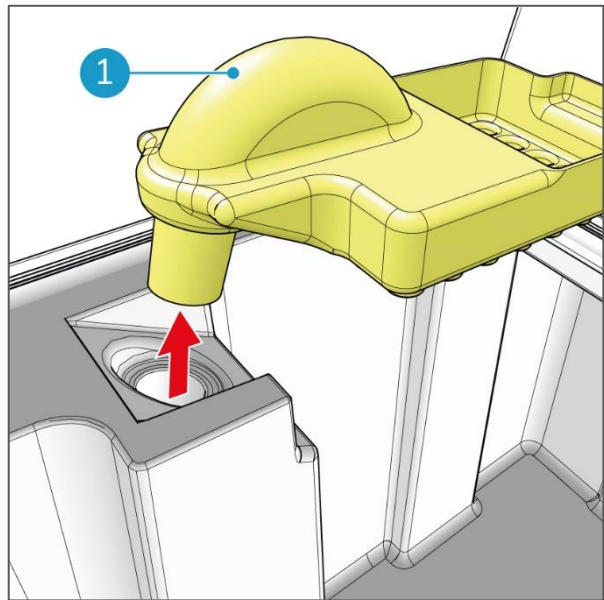


Figure 50

2. Remove the debris by hand and clean it with tap water and a brush (Figure 51, pos 2) above a sink.
3. Rinse it with tap water (Figure 51, pos 1).
4. Replace the recovery water inlet.
5. Unlock the safety hook (Figure 46, pos 2) and close the lid of the recovery tank

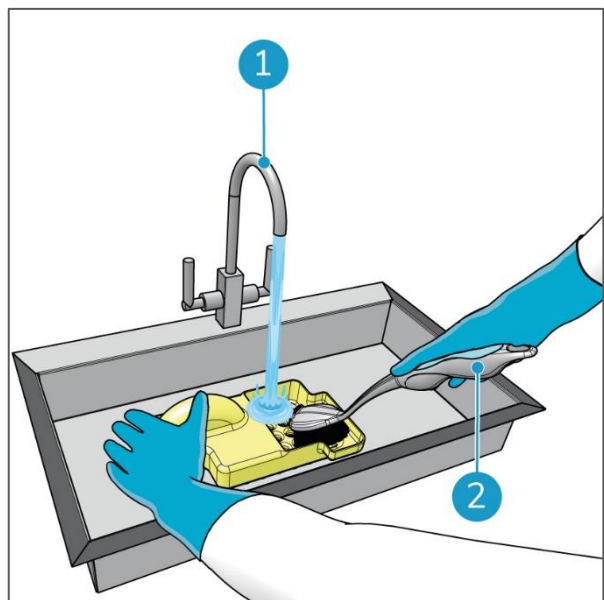


Figure 51



## 7.6 Cleaning the detergent filter and detergent tank



### WARNING

Make sure that you follow your local regulations with regard to wastewater.

1. Remove the detergent tank by the handle (Figure 52, pos 2) and put it on a level surface.
2. Open the yellow filler cap (Figure 52, pos 1).

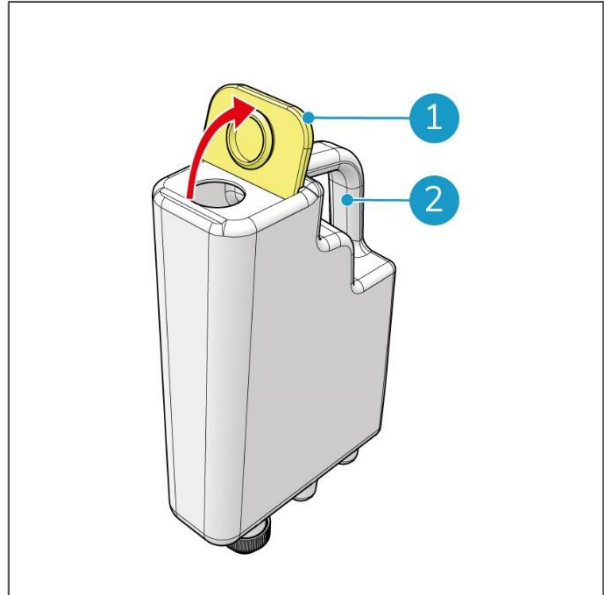


Figure 52

3. Hold the detergent tank by the handle and pour in approx. 2 liters of water, use a funnel. Shake it. Pour the contents into the recovery tank (Figure 53, pos 1).

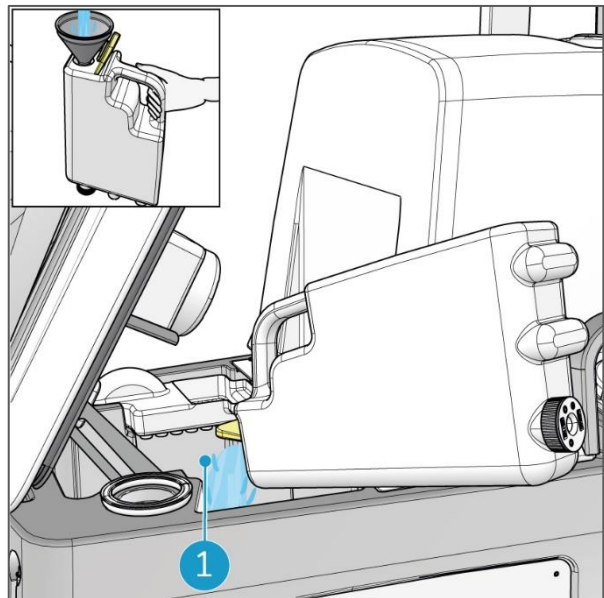


Figure 53

4. Turn the detergent tank upside down.
5. Unscrew the white cap (Figure 54, pos 1), it holds the detergent filter (Figure 54, pos 2) in place.

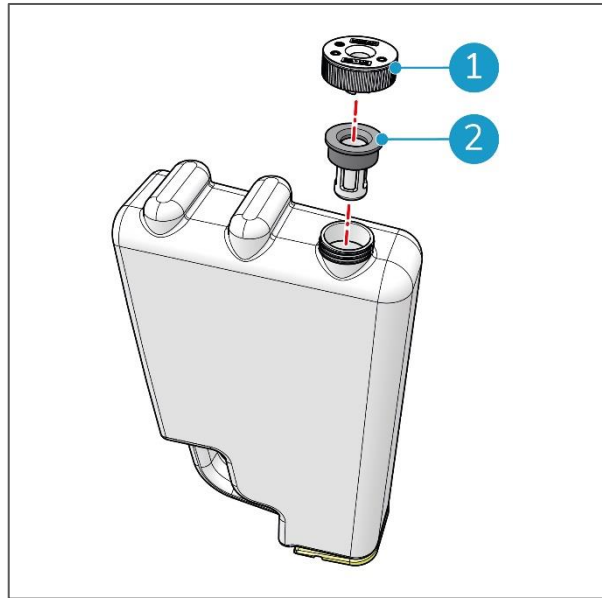


Figure 54

6. Take of the cap and the filter and rinse both with tap water above a sink (Figure 55, pos 1).
7. Place the filter in the cap (Figure 54).
8. Screw the cap into the bottom of the detergent tank (Figure 54) and make sure it seals tight.

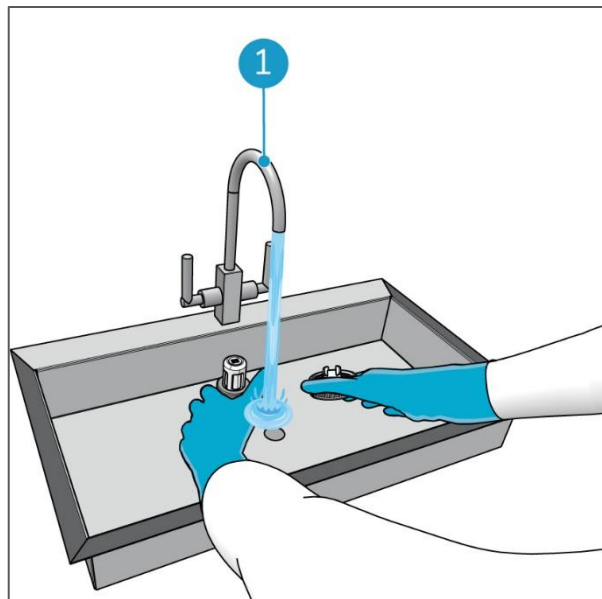


Figure 55



9. Fill the detergent tank with detergent and close the yellow filler cap. Make sure it seals tight.
10. Place the detergent tank back on the i-drive®.
11. Press the tank downward to make sure that the valve (Figure 56, pos 2) is locked onto the detergent tank connector (Figure 56, pos 1).
12. Wash your hands with tap water.

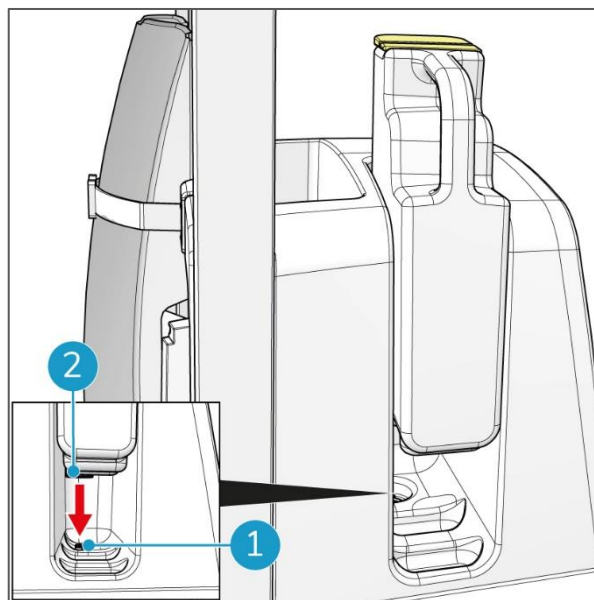


Figure 56



## 7.7 Charging the batteries



### ATTENTION

The batteries with the blue clips are all placed on the left side and the batteries with the grey clips are all placed on the right side.

1. Turn the ignition key to position "0" and keep the key with you during maintenance (Figure 57, pos 1).

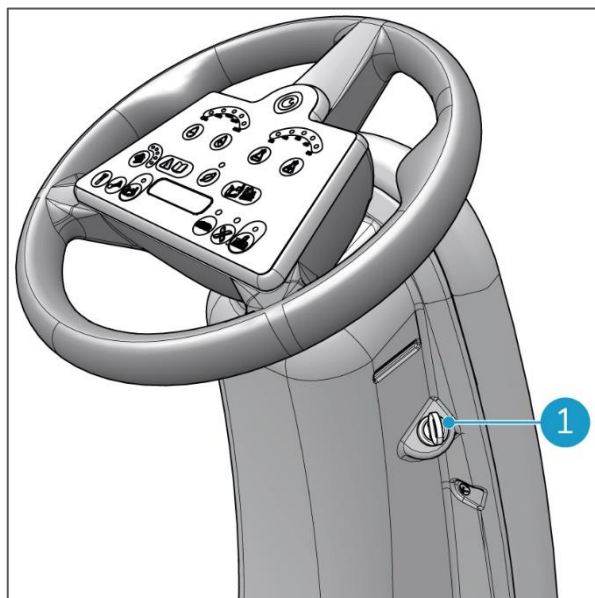


Figure 57

2. Pull out the locking pin on the left side (Figure 58, pos 2) of the battery drawer.
3. Pull out the battery drawer using the black handle (Figure 58, pos 1) until it locks into place.

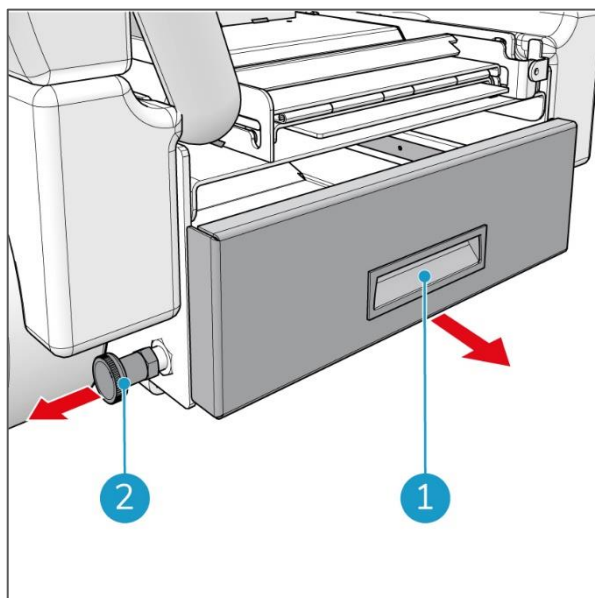


Figure 58

4. Press the clips (Figure 59, pos 1) of each i-power® 14 battery pack slightly towards each other and lift it out.
5. Charge the i-power 14 battery packs in the i-charge® 9 battery charger. Please refer to the user manual of the i-charge 9.
6. Replace back the fully charged batteries. When they "click" they are locked into place.
7. Pull out the locking pin on the left side (Figure 58, pos 2) of the battery drawer.
8. Push the battery drawer into the i-drive® by the black handle (Figure 58, pos 1) until it locks into place.
9. Turn the ignition key to position "I".
10. Wait a few seconds. The display should indicate 100% and all 10 bars of the battery level display should be visible (Figure 60, pos 1). The i-drive is ready for a new working cycle.

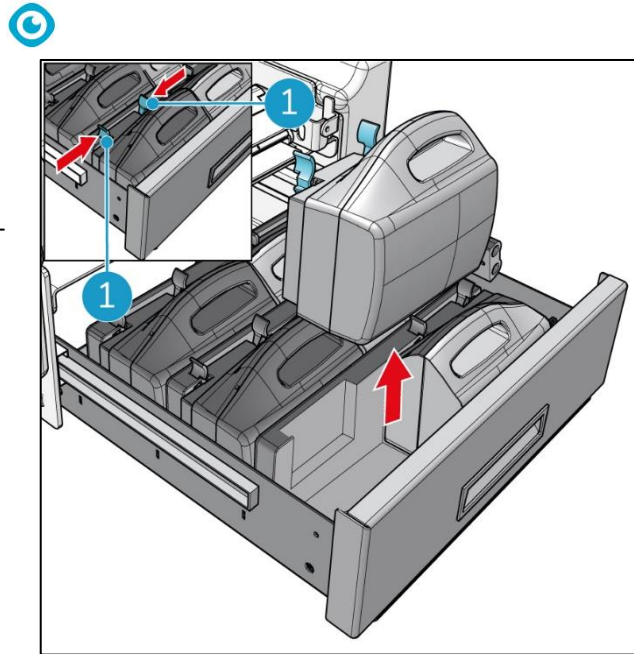


Figure 59

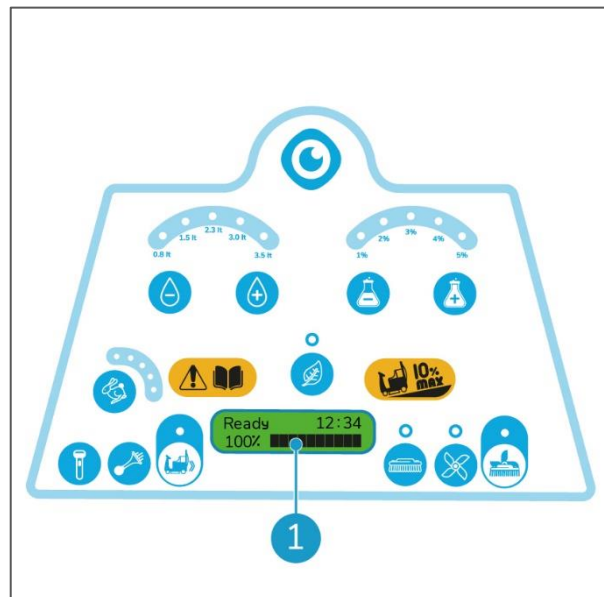


Figure 60



## 7.8 Unloading, loading and refilling the i-mop® lite

### 7.8.1 Unloading and loading

1. Loosen the strap holding the i-mop® lite (Figure 61, pos 1).
2. Unlock the blue lock (Figure 61, pos 2).
3. Pull out the ramp and unfold it (Figure 61, pos 3).
4. Unload the i-mop lite.

To load the i-mop lite, perform steps 1 to 4 in reversed order.

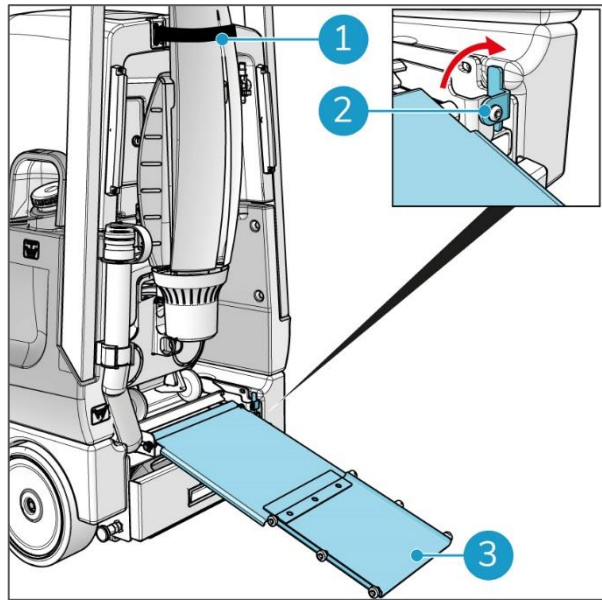


Figure 61

### 7.8.2 Refilling the cleaning solution tank of the i-mop lite



#### ATTENTION

Make sure you have the user manual of the i-mop lite by hand.

1. Remove the cleaning solution tank from the i-mop lite, please refer to the user manual of the i-mop lite.
2. Take the filling tube out of the clamps (Figure 62, pos 1).
3. Open the stopper of the i-mop lite (Figure 62, pos 4).
4. Place the filling tube into the tank (Figure 62, pos 5).
5. Open the red valve (Figure 62, pos 3).
6. Push the yellow button (Figure 62, pos 2). The solution will be pumped into the i-mop lite tank.
7. Push the yellow button again to stop.
8. Perform step 2 to 5 in reversed order.

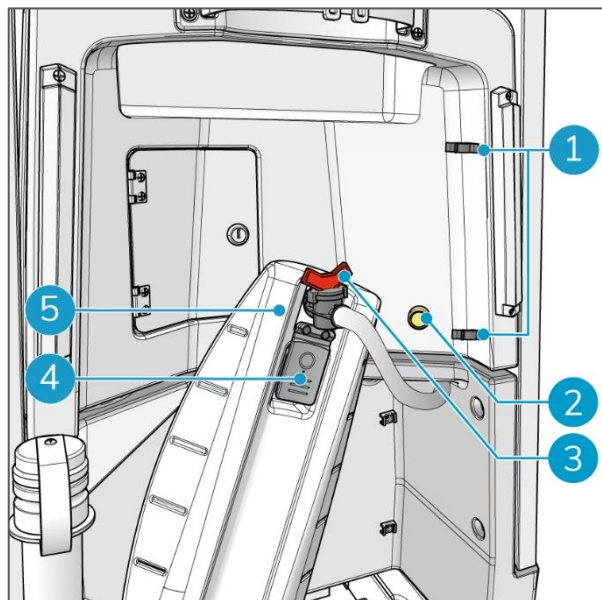


Figure 62





9. Place the i-mop solution tank back on the i-mop lite. Please refer to the user manual of the i-mop lite.

## 7.9 Cleaning the i-mop® lite plateau

First unload the i-mop lite, see section 7.8.1.  
Wipe the plateau on which the wheels of the i-mop lite rest (Figure 63, pos 1) with a damp cloth.

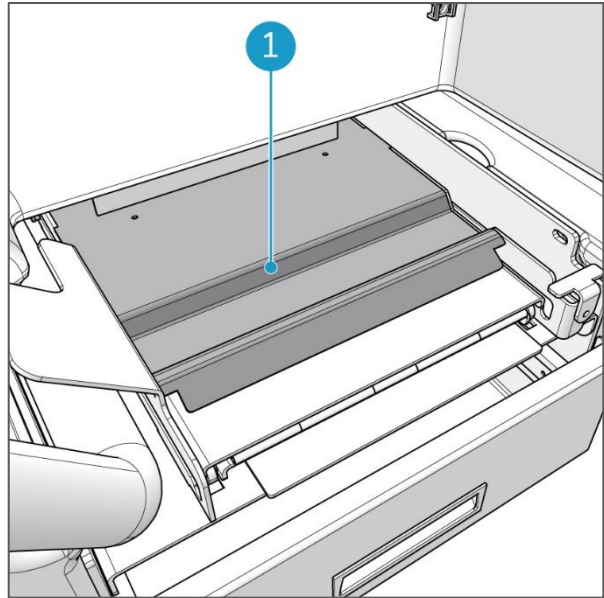


Figure 63



## 7.10 Cleaning the suction line

1. Take place on the seat behind the steering wheel.
2. Turn the ignition key to position "I". After a few seconds the text "Ready" appears on the display (Figure 64, pos 2).
3. Press the push button (Figure 64, pos 1). The squeegee moves to its lowest position.
4. Turn the ignition key to position "0" and remove it. Keep the key with you during maintenance.

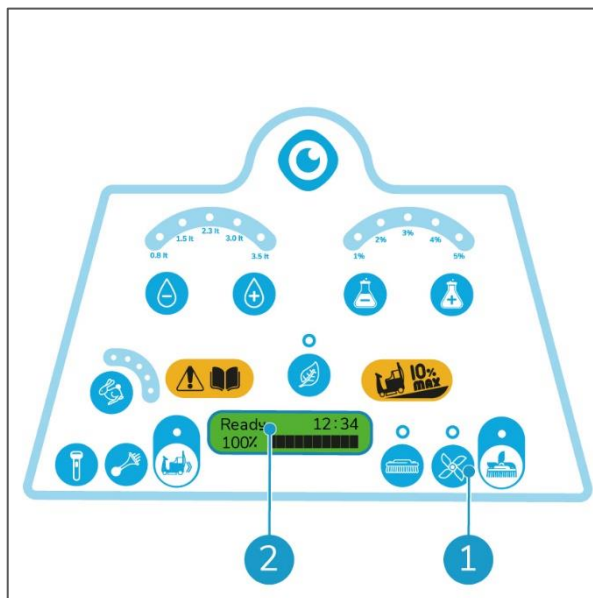


Figure 64

5. Remove the vacuum hose from the hose connector of the squeegee (Figure 65, pos 1).
6. Place the vacuum hose end above a recovery water disposal drain (Figure 65, pos 2).

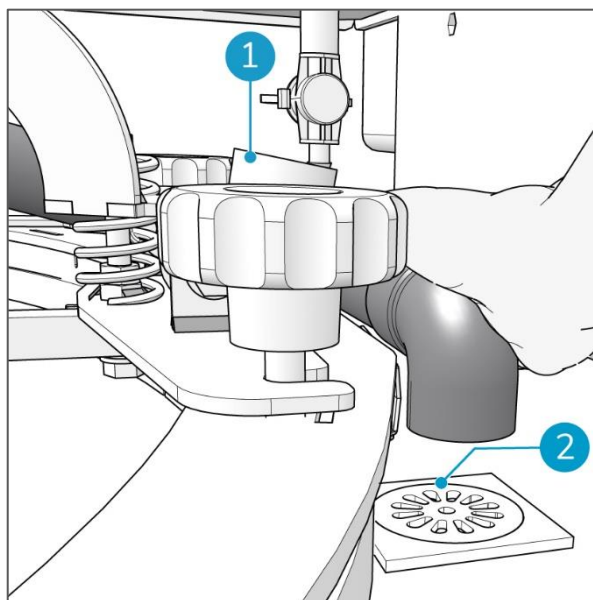


Figure 65

7. Open the lid of the recovery tank.
8. Remove the recovery water inlet (Figure 66, pos 1).
9. Place the water hose in the recovery water inlet and flush the suction line.
10. When the suction line is clean, replace the vacuum hose on the hose connector of the squeegee (Figure 65, pos 1).
11. Replace the recovery water inlet.
12. Close the lid of the recovery tank.

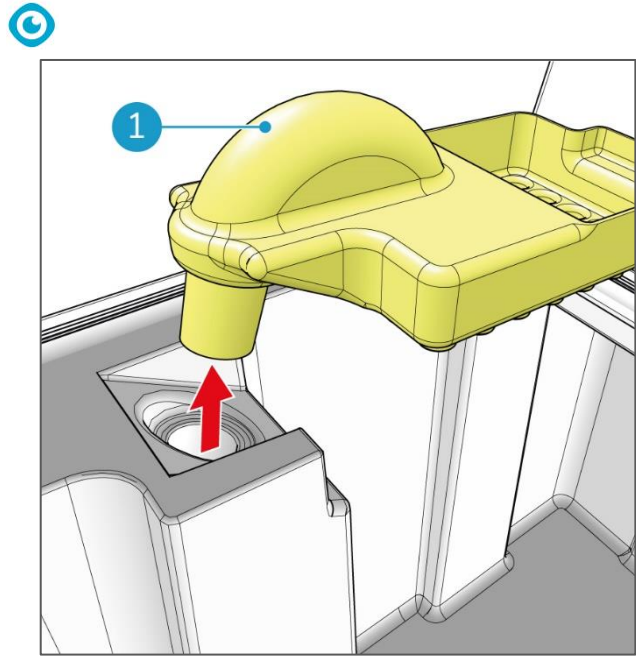


Figure 66

13. Take place on the seat behind the steering wheel.
14. Turn the ignition key to position "I". After a few seconds the text "Ready" appears on the display ( Figure 64, pos 2).



## 7.11 Cleaning the water filter

1. Turn the ignition key to position "0" and keep the key with you during maintenance.
2. The water filter is positioned under the right front side of the i-drive® (Figure 67, pos 1).
3. Turn the cover of the water filter (Figure 67, pos 2) anti-clockwise to remove it. The water filter has an integrated valve that avoids water running when the filter is open.
4. Remove the water filter (Figure 67, pos 3) from the cover.

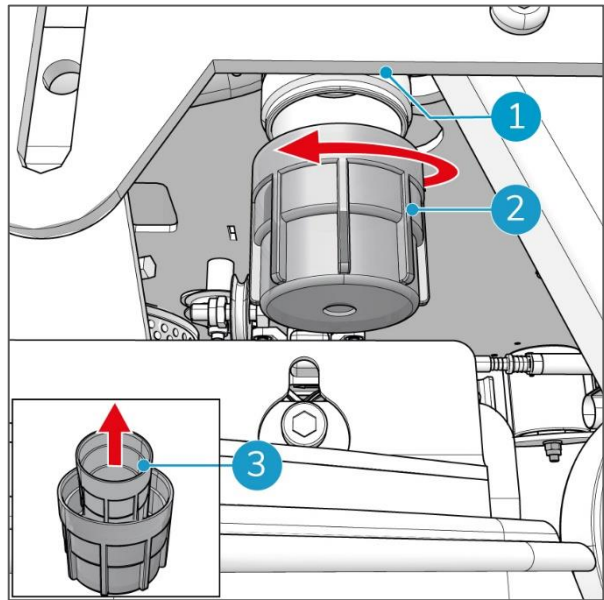


Figure 67

5. Clean the water filter with tap water from the inside outwards. Clean the cover with tap water. Clean both in a sink (Figure 68, pos 1).
6. Replace the water filter in the cover.
7. Turn the cover clockwise onto its mount.

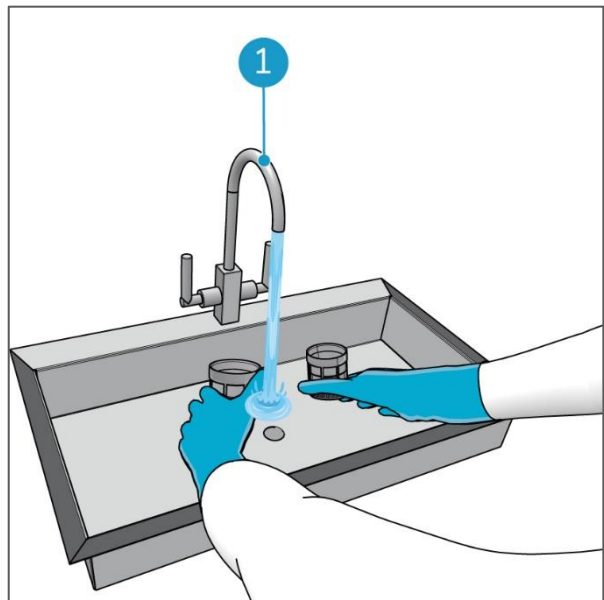


Figure 68



## 7.12 Damaged or worn parts

Damaged or worn parts need to be replaced immediately. Contact your local i-team partner or visit [www.i-teamglobal.com](http://www.i-teamglobal.com) for more information. Always use original spare parts.

## 7.13 Maintenance frequency

Make sure that routine and preventive maintenance are carried out periodically to ensure safe operation. The schedule may vary depending on the type of cleaning work carried out. Failure to carry out maintenance as required may cause damage to the i-drive® and may cause a risk for the operator. We offer service packs. For more information please visit [www.i-teamglobal.com](http://www.i-teamglobal.com).

### 7.13.1 Maintenance frequency table

<b>Daily</b>		
Action	Chapter	Frequency
Checking the front and rear squeegee blades	7.3.3	Daily
Cleaning the disc brushes	7.4.3	Daily
Cleaning the recovery tank	7.5	Daily
Cleaning the separator	7.5.1	Daily
<b>Daily or weekly</b>		
Action	Chapter	Frequency
Cleaning the squeegee blades	7.3.3	Daily/weekly *
<b>Monthly</b>		
Cleaning the detergent filter and detergent tank	7.6	Monthly
<b>Depending on frequency of usage</b>		
Action	Chapter	Frequency
Clean the machine	7.1.1	After each use.
Replacing the front and rear squeegee blades	7.3.3	When worn out or damaged.
Replacing the disc brushes	7.4.4	Depending on the intensity of usage combined with the roughness of the surface.
Replacing the pads	7.4.5	When worn out.
Cleaning the recovery water inlet	7.5.2	After emptying the recovery tank.
Charging the batteries	7.7	When battery levels are low.
Cleaning the i-mop® lite plateau	7.9	When dirty.
Cleaning the suction line	7.10	With poor suction.
Cleaning the water filter	7.11	When the waterflow is blocked.
Checking the machine operating hours	7.2	Depending on the intensity of use. After 250 hours, the following message appears on the display "service required". See 7.13.2.

\* daily: only wipe squeegee, weekly remove blades and clean.



### 7.13.2 Servicing the i-drive



#### **WARNING**

Service tasks on the i-drive may only be performed by a trained expert of an authorized i-team workshop by reference to the machine-specific system maintenance.

Service frequency table	
Every 125 hours	See Service Manual.
Every 250 hours	
Every 500 hours	

### 7.14 Storage

- before you store the i-drive, drain and clean the machine;
- before you store the i-drive open all filler caps to let the tanks air out;
- remove the batteries before storage and charge the batteries for next use;
- store the i-drive indoors;
- always park the i-drive on a level, hard surface;
- the storage temperature must be between 0 and +40 degree °C.



## 8 Trouble shooting

Problem	Cause	Solution
<b>No indicator lights up on the panel; the motors do not work.</b>	Battery connector disconnected.	Connect the connector.
	Batteries are flat.	Charge the batteries.
	The emergency stop button is still pressed.	Release it.
	No batteries.	Insert batteries.
<b>The recovery water suction is insufficient.</b>	The squeegee is dirty or the blades are worn out or damaged.	Clean the squeegee or turn/replace the blades.
	The tank lid is not closed properly or the gasket is not working.	Close the lid properly. Clean/replace the gasket.
	Lid of the recovery tank wastewater tube is not sealed.	Close lid properly.
	The suction line is blocked.	Clean the suction line.
<b>There is no recovery water suction.</b>	The recovery water tank is full.	Empty the tank.
	The vacuum hose is disconnected from the squeegee.	Connect the vacuum hose.
	Vacuum motor not working.	Contact service department.
<b>No/insufficient flow of detergent solution (or washing water) to the disc brush.</b>	The detergent solution (or water) filter is dirty.	Clean the filter.
	The detergent solution (or water) tank is dirty.	Clean the tank.
	Detergent tank filter dirty.	Clean detergent tank filter.
	Service valve not closed correctly.	Check the service valve.
<b>The squeegee leaves dirty marks on the floor.</b>	There is debris under the squeegee blades.	Clean the squeegee.
	The squeegee blades are worn out, chipped or torn.	Reverse the blades or replace them.
	The height of the squeegee is not correct.	Contact service department.
<b>The disc brushes or the pads are not cleaning.</b>	The disc brushes are excessively worn out and do not touch the floor.	Check the wear indicator on the disc brushes. Replace the disc brushes.
	The pads are excessively worn out and do not touch the floor.	Check the wear on the pads. Replace the disc brushes or the pads.



## 9 Decommissioning and disposal



### ATTENTION

It is the responsibility of the i-drive® owner to dispose of the product.

At the end of life, the i-drive still contains valuable resources and needs to be disposed of according to your local laws and regulations regarding recycling of electrical equipment.

Before disposal, please make sure to:



1. Remove the batteries for separate disposal (see section 7.7).

#### TIP:

**Alternatively, keep the batteries for use in another piece of i-team equipment.**

2. Remove all loose components such as the disc brush, squeegees, plastic parts and hoses.
3. Dispose all items according to your local laws and regulations.

#### TIP:

**Contact you local i-team partner to explore all possibilities of returning components at the end of life of your i-drive.**





## 10 Attachments

### 10.1 CE Certificate



#### EG/EC DECLARATION OF CONFORMITY

We: **i-team Professional, Hoppenkuil 27b, 5626 DD Eindhoven, Netherlands**

Declare under our sole responsibility that the product: Scrubber-dryer

**I-DRIVE**

(Type of machine)

**I-DRIVE and following**

(Model – serial number, year of production)

to which this declaration relates is in conformity with the following standards:

**EN 60355-1; EN 60335-2-72; EN 55012:2010-04; EN61000-6-2:2019; EN 62233:2008-11;  
VDE 0700-366:2008-11**

(Title and/or number and data of issue of the standard(s) or other normative document(s))

follow the provision of directives: **2014/30/EU**      **2006/42/CE**      **2014/35/EU**

Eindhoven, 03.08.2020

Frank van de Ven  
Director

(Place and Date of issue)

(name and signature or equivalent marking  
or authorized person)



This document is part of the technical file of the i-drive® and will be available upon request.