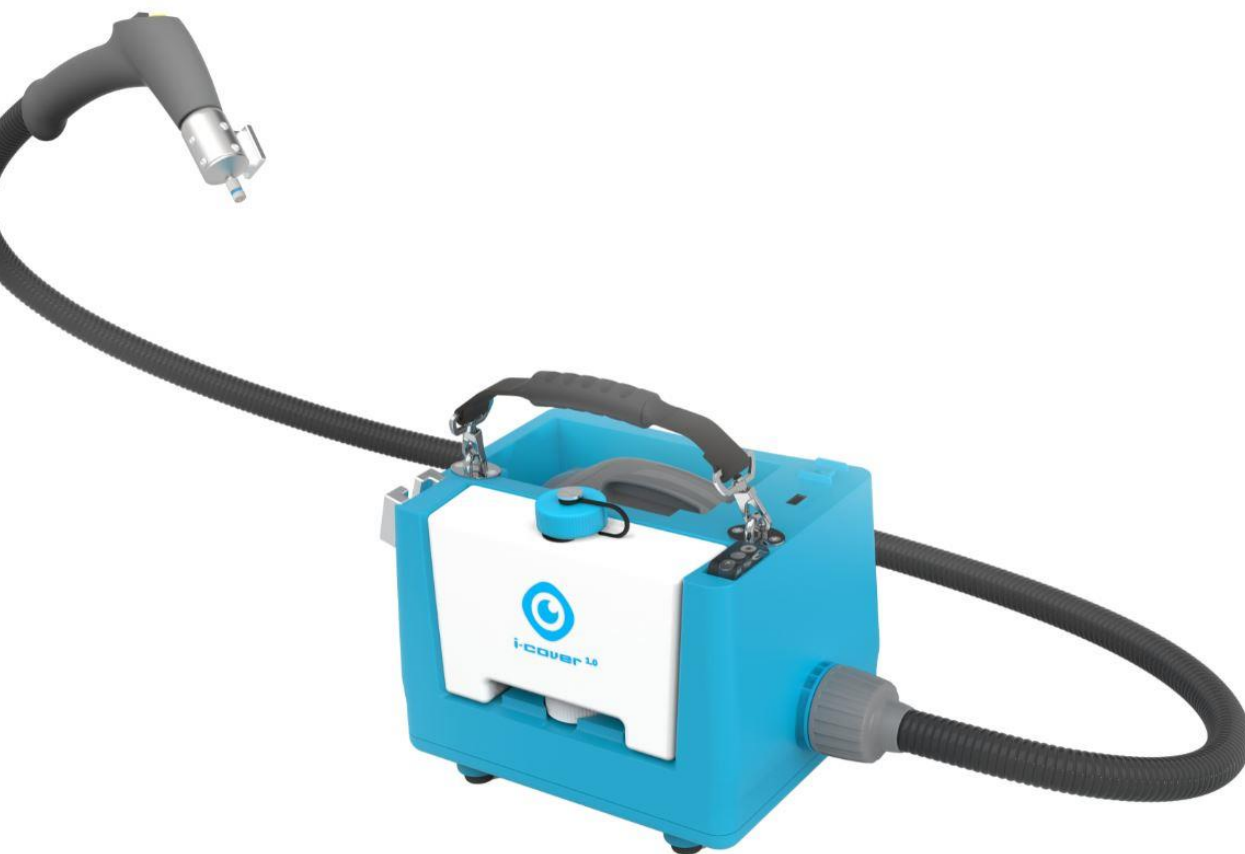


i-cover[®] 1.0

Disinfectant sprayer

User manual



i-team Professional b.v.

Hoppenkuil 27b, 5626 DD Eindhoven, The Netherlands

Telephone: +31402662400

Email: hello@i-teamglobal.com

Internet: www.i-teamglobal.com





Original user manual, written in the English Language
Future Cleaning Technologies B.V.
Hoppenkuil 27b, 5626 DD Eindhoven, The Netherlands

Telephone: +31402662400

Email: hello@i-teamglobal.com
Internet: www.i-teamglobal.com

Model: i-cover 1.0

Date: 28/10/2020

Product code: IM10.FCT.0000.B

Version: v.1.0



Preface

Thank you for purchasing the i-cover® 1.0 cold spray misting system. The powerful, easy to use system that can cover your surfaces in seconds. We have made disinfecting surfaces easy when you combine your favorite disinfectant (please read section 1.1 and 1.2 carefully) and our simple color coded spray nozzle system. Thanks to the 24 V Li-Ion battery and exchangeable tanks, you can keep disinfecting all day long. The i-cover 1.0 is easy to use when you follow the instructions.

Please read this manual carefully for important information and operating instructions before using the i-cover 1.0. Save this manual for future reference. The manual is an essential part of the i-cover 1.0 and must be handed over to the new owner upon resale or exchange. This i-cover 1.0 will provide excellent performance. The best results will be obtained when the i-cover 1.0 is:

- regularly maintained per the i-cover 1.0 preventive maintenance instructions in this manual;
- operated with reasonable care and caution;
- maintained with manufacturer-supplied parts.

When this manual refers to “the manufacturer” this means: Future Cleaning Technologies B.V, an affiliate company of i-team in Eindhoven, the Netherlands. When this manual mentions “the partner” your local i-team resell and support service partner is referred to.

Purpose of the user manual

The purpose of the user manual is to provide the user with information in such a way that during the life of the i-cover 1.0 the machine is used correctly, efficiently and safely, even in the event of reasonably foreseeable misuse, as described in section 1.2 of this manual.

The user manual contains instructions regarding:

- personal operator safety;
- intended and non-intended use of the i-cover 1.0;
- instructions for daily use;
- maintenance instructions;
- storage conditions;
- disposal of the i-cover 1.0.

These instructions must be considered to avoid risks that could lead to physical and/or material damage.

Target audience

This user manual is intended for operators of the i-cover 1.0 and their supervisors, as well as partners and importers.







Operators of the i-cover 1.0

The i-cover 1.0 may only be operated by a person who has correctly read and understood the instructions in this manual or is trained by an experienced operator who has read and understood the instructions in this manual.



Reading guide

The following symbols and terms are used throughout this manual to alert the reader to safety issues and important information:

Symbol	Term	Explanation
	WARNING	Indicates a hazardous situation which, if the safety instructions are not followed, can lead to injuries of the operator or bystanders, light and/or moderate damage to the product or the environment.
	CAUTION	Indicates a hazardous situation which, if the safety instructions are not followed, can lead to light and/or moderate damage to the product or the environment.
	BATTERIES	Indicates a battery-operated machine, batteries must be charged according to the instructions in this manual and the instructions at the charger.
	CORROSIVE	Can cause severe burns and damage to the eyes.
	PROTECTIVE EYEWEAR	Indicates protective eyewear is advised, for instance when filling the machine with cleaning solution.
	WASH HANDS	Indicates the operator is advised to wash their hands, for instance after filling and/or draining the cleaning solution.



Content

Preface.....	3
Purpose of the user manual	3
Target audience	3
Operators of the i-cover 1.0.....	3
Reading guide	4
Content.....	5
1 Introduction	7
1.1 Intended use of the product.....	8
1.2 Non-intended use of the product.....	9
1.3 Lifespan	9
1.4 Modifications.....	9
1.5 Specifications.....	10
1.6 Warranty.....	10
1.7 Identification.....	11
2 Description.....	12
2.1 Control panel	13
2.2 Control panel on the spay gun	13
2.3 Spray nozzles and nozzle filter.....	13
3 Safety.....	14
3.1 General safety instructions	14
3.2 Risks during operation	14
3.2.1 The disinfectant	14
3.2.2 The battery	14
3.2.3 Personal protection	15
4 Transport and storage	16
5 Assembly and installation	17
5.1 Unboxing	17
5.2 Assembly.....	18
5.2.1 Attaching the right spray nozzle for the job	19
6 Operation	20
6.1 Before you start	20
6.1.1 Checking and topping up the disinfectant level.....	20
6.2 Operation procedure	21
6.2.1 After operation.....	22
6.2.2 Removing the disinfectant tank	22



6.2.3	Removing the spray nozzle	22
6.3	Cleaning and storage.....	23
6.3.1	Flushing the spray nozzle	23
6.3.2	Flushing the disinfectant tank and cleaning the exterior	24
6.3.3	Storage	24
7	Maintenance	25
8	Troubleshooting	26
9	Decommissioning and disposal.....	27
10	Attachments.....	28
10.1	CE Certificate	28



1 Introduction

The i-cover® 1.0 is an easy and safe machine to use, this manual helps you get started and explains the operation and maintenance procedure.

The i-cover 1.0 is battery operated. The battery used in the i-cover 1.0 is the same as a variety of battery powered i-team products. The battery must be fully charged before use. Please refer to the user manual of the i-charge® 9 or the i-charge® 14 for the correct procedure.

This manual is intended for those who work with the i-cover 1.0 and perform daily maintenance. The manual must be read in full before the first actions. This manual describes the correct method of use, safety measures, maintenance and transport. And finally, the manual contains information about the consumables:

- the disinfectant;
- the color coded spray nozzles.

i-team continuously improves all their products based on user experience and feedback. Any deviations between the texts and/or images from the manual and your i-cover 1.0 can therefore arise from the difference in model or from possible changes due to continuous development and innovation.



1.1 Intended use of the product

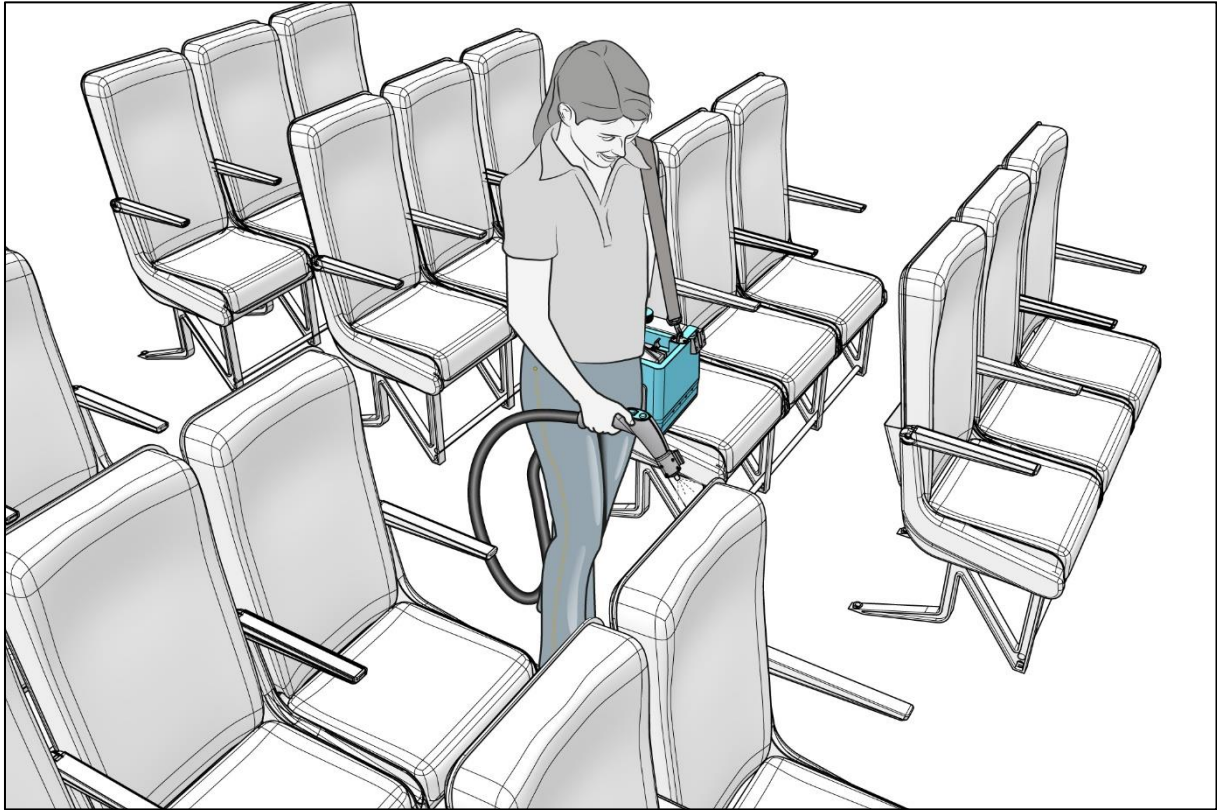


Figure 1

The i-cover® 1.0 is a specialized machine to disinfect surfaces only. You can hold the i-cover 1.0 in your hand using the handle, or hang it on your shoulder using the belt, see Figure 1.

In order to use the i-cover 1.0 for different applications, four sizes of spray nozzles are provided, each with their unique color code. These spray nozzles are easy to replace. Select the right spray nozzle for each job, see section 2.3.

Keep the spray nozzle away from your face as the disinfectant can blow out vapors that can cause irritation.

Always check the recommendations written on the packaging of the disinfectant that you use.

Use your favourite disinfectant solution at the appropriate dilution specified on the product label (if applicable). Disinfectants for which a dilution is needed and carries a corrosive pictogram (GHS05) or the hazard statements H290 “May be corrosive to metals” or H314 “Causes severe skin burns and eye damage” should generally be avoided. Refer to the product’s in-use concentration SDS sheet.

Follow the recommended safety rules and guidelines as indicated by the manufacturer of your disinfectant.



1.2 Non-intended use of the product



WARNING

DO NOT fill the i-cover® 1.0 with disinfectants for which a dilution is needed and carries a corrosive pictogram (GHS05) or the hazard statements H290 “May be corrosive to metals” or H314 “Causes severe skin burns and eye damage”. The use of these type of disinfectants should generally be avoided. Refer to the product’s in-use concentration SDS sheet. Alternative products will void the manufacturer’s warranty, more importantly they may also cause serious harm to the operator.



WARNING

Non-intended use can have consequences for the safety of operators and bystanders and will void the warranty on the product.

The i-cover 1.0 is not intended to disinfect anything else than surfaces.

1.3 Lifespan



CAUTION

To ensure proper and safe operation throughout the life of the i-cover®, it is recommended to have an authorised i-team partner check the machine after the first 50 hours of use and then every 125 hours afterwards. To check the used operating hours, please check the hour meter on the main control panel. See section 2.1

1.4 Modifications

It is not permitted to make modifications to the design of the i-cover 1.0 without consultation and permission from the manufacturer. This affects the warranty, refer to section 1.6 of this manual.



1.5 Specifications

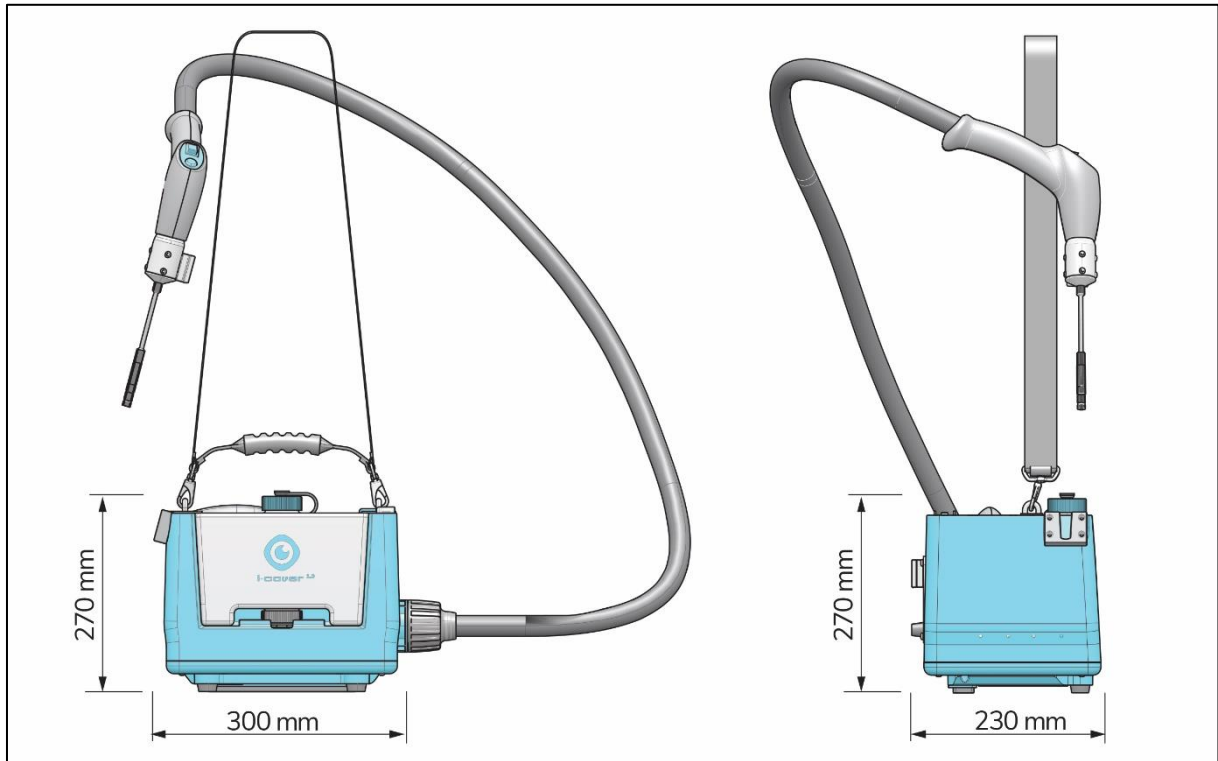


Figure 2

Body size:	300 x 230 x 270 mm
Weight (including 1 battery):	7.5 kg
Hose length:	144 cm
Extension tube length:	10 cm
Tank capacity:	1 l
Work reach:	150 m ² /L
Application:	Surfaces
Power source:	i-power® 9 or 14 battery
Battery spec i-power 9:	24 V 8.8 Ah
Battery spec i-power 14:	25.2 V, 14 Ah
Run time i-power 9:	≈ 12 hours
Run time i-power 14:	≈ 18 hours
Material:	PP
Vibration (main body/handle):	Amplitude: 0.047 / 0.024 mm Velocity: 1.7/1.6 m/s Acceleration: 2.0/0.7 m/s ²
Flow speeds:	0.2 mm spray nozzle: 25 ml/min 0.3 mm spray nozzle: 35 ml/min 0.5 mm spray nozzle: 70 ml/min 0.8 mm spray nozzle: 100 ml/min
Sound level:	65.2 – 67.4 dB(A)

1.6 Warranty

The i-cover® 1.0 should only be operated with the materials supplied. Using alternative supplies may cause damage to the i-cover 1.0 and may cause a risk to the operator. The use of alternative supplies voids manufacturer's warranty.



1.7 Identification

Each i-cover® 1.0 has a unique identification number that can be found on the bottom of the main body. Your i-team dealer needs this number when you order parts.

Explanation type plate:



Model: i-cover 1.0

Serial number:

Figure 3



2 Description

The compact lightweight i-cover® 1.0 consists of two main parts:

- the body, that contains the disinfectant tank, can be carried on the back or by hand;
- the spay gun with the spray nozzle.

The i-cover 1.0 consists of:

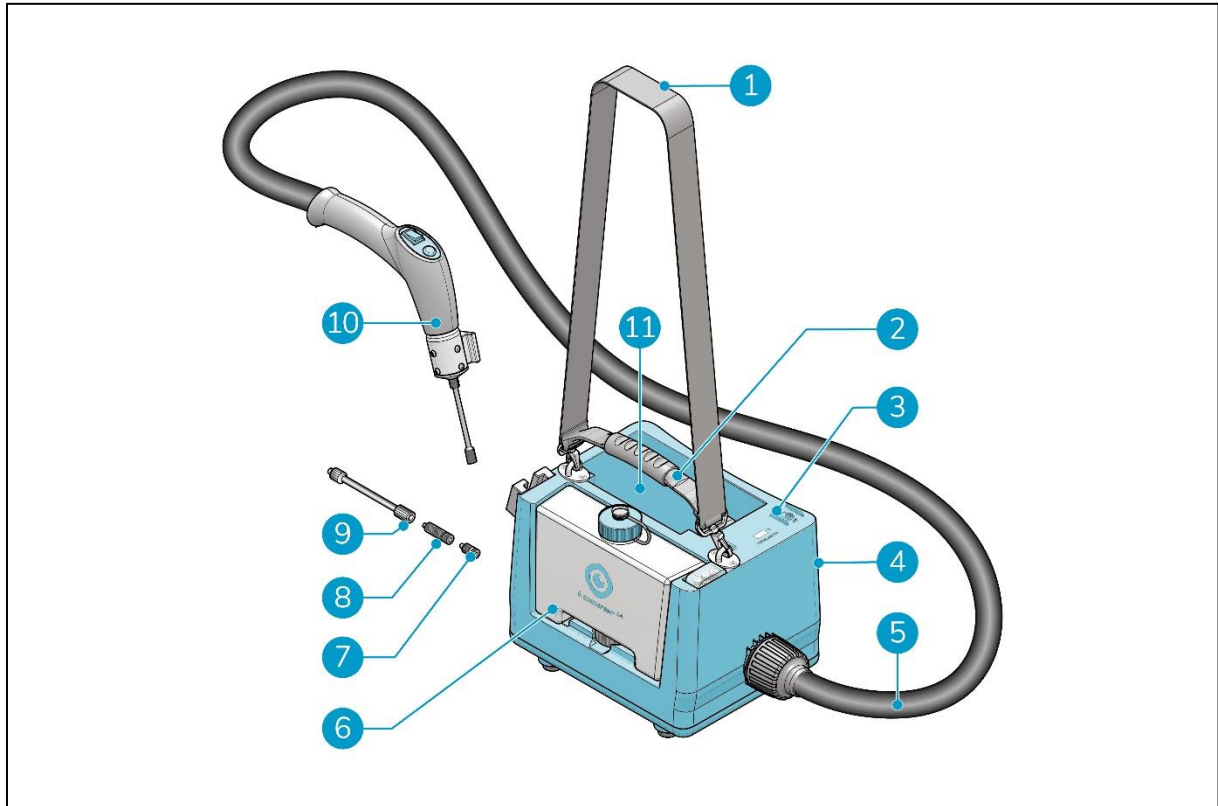


Figure 4

Legend

- | | |
|-------------------------|-----------------------|
| 1. A belt. | 7. A spray nozzle. |
| 2. A carrying handle. | 8. A nozzle filter. |
| 3. A control panel. | 9. An extension tube. |
| 4. A main body. | 10. A spray gun. |
| 5. A hose. | 11. A battery slot. |
| 6. A disinfectant tank. | |



2.1 Control panel

1. Battery power status display. The green battery power status LEDs are on during normal use. When the battery is full all green LEDs are on, when the batteries get empty the green LEDs will go off one by one.
2. Hour meter. The counter on the right (Figure 5, pos B) counts in 6 minute cycles. This means that if the display shows an “1”, the i-cover® 1.0 has run for 6 minutes. After 10 cycles, the second counter from the right (Figure 5, pos A) will show an “1”, this indicates 1 hour. The counter on the right (Figure 5, pos B) starts again at “1”.
3. The ON/OFF switch.

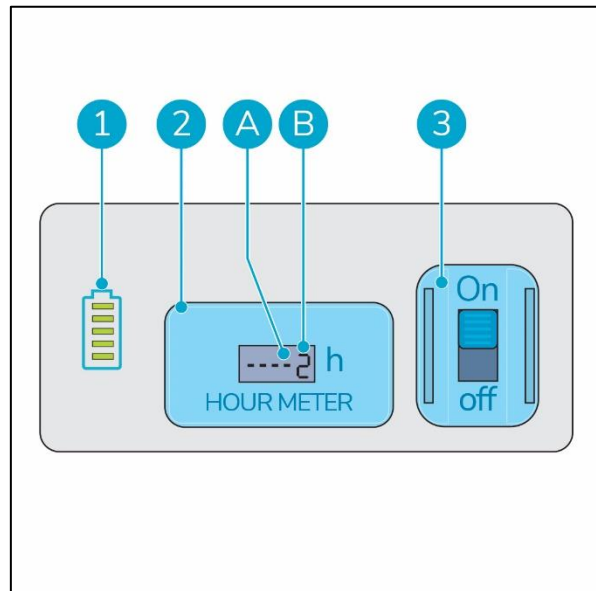


Figure 5

2.2 Control panel on the spray gun

1. The ON/OFF switch on the spray gun.

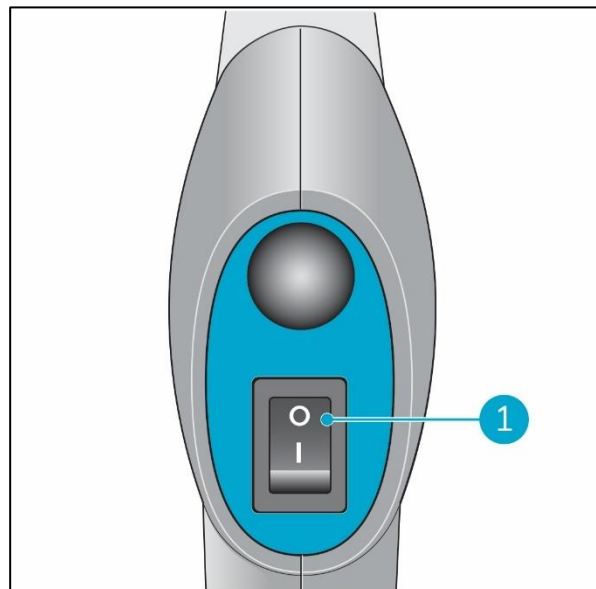


Figure 6

2.3 Spray nozzles and nozzle filter

Spray nozzle diameter and color	Intended spaces
0.2 mm x 1 yellow ring	Fragile or sensitive objects
0.3 mm x 1 green ring	Indoor applications
0.5 mm x 1 orange ring	Food preparation areas
0.8 mm x 1 blue ring	Outdoors and walls

If the nozzle becomes clogged due to a particular disinfectant, the nozzle filter can help to prevent clogging by attaching it in front of the spray nozzle.



3 Safety

Safety comes first. Therefore, please take your time to read and understand these safety instructions. Improper use can cause harm or void the manufacturer's warranty.

3.1 General safety instructions



WARNING

Always keep the body of the i-cover® 1.0 in an upright position when the disinfectant or the battery is inserted.

3.2 Risks during operation

3.2.1 The disinfectant



WARNING

DO NOT fill the i-cover 1.0 with disinfectants for which a dilution is needed and carries a corrosive pictogram (GHS05) or the hazard statements H290 "May be corrosive to metals" or H314 "Causes severe skin burns and eye damage". The use of these type of disinfectants should generally be avoided. Refer to the product's in-use concentration SDS sheet.



WARNING

General safety rules:

- keep locked up and out of reach of children;
- keep away from food, drink and animal feed;
- when ingested, seek medical advice immediately and show the bottle. **DO NOT** induce vomiting.

3.2.2 The battery



BATTERY

During normal operation the 24 V battery cause no safety hazard on their own. Please keep in mind the following safety instructions:

- do not crush, pierce or damage in any way;
- do not heat or incinerate;
- do not short-circuit;
- do not dismantle;
- keep the battery dry;
- only charge between 5 °C ~ 40 °C / 41 °F ~ 104 °F;
- only use between 5 °C ~ 45 °C / 41 °F ~ 113 °F;
- only use the original battery from the manufacturer.



3.2.3 Personal protection



ATTENTION

The disinfectant can be irritating to the eyes. Wear eye protection and use caution when filling. Always keep the spray nozzle pointed away from your face.



ATTENTION

Clean your hands immediately after filling or draining the disinfectant tank.



4 Transport and storage

- do not store the i-cover® 1.0 outdoors;
- store the i-cover 1.0 in an upright position and in a dry place;
- in case the i-cover 1.0 is stored for a longer period, remove the battery. See section 6.2.1;
- before you transport the i-cover 1.0, remove the battery. See section 6.2.1;
- before you store or transport the i-cover 1.0, it is recommended to drain it;
- before you store the i-cover 1.0, it is recommended to clean the it with a damp cloth.



5 Assembly and installation

The i-cover® 1.0 does not require much assembly, you need to attach the handle, the belt and the tank. A battery and a battery charger can be ordered separately.

5.1 Unboxing

The i-cover 1.0 is packed in 1 box.

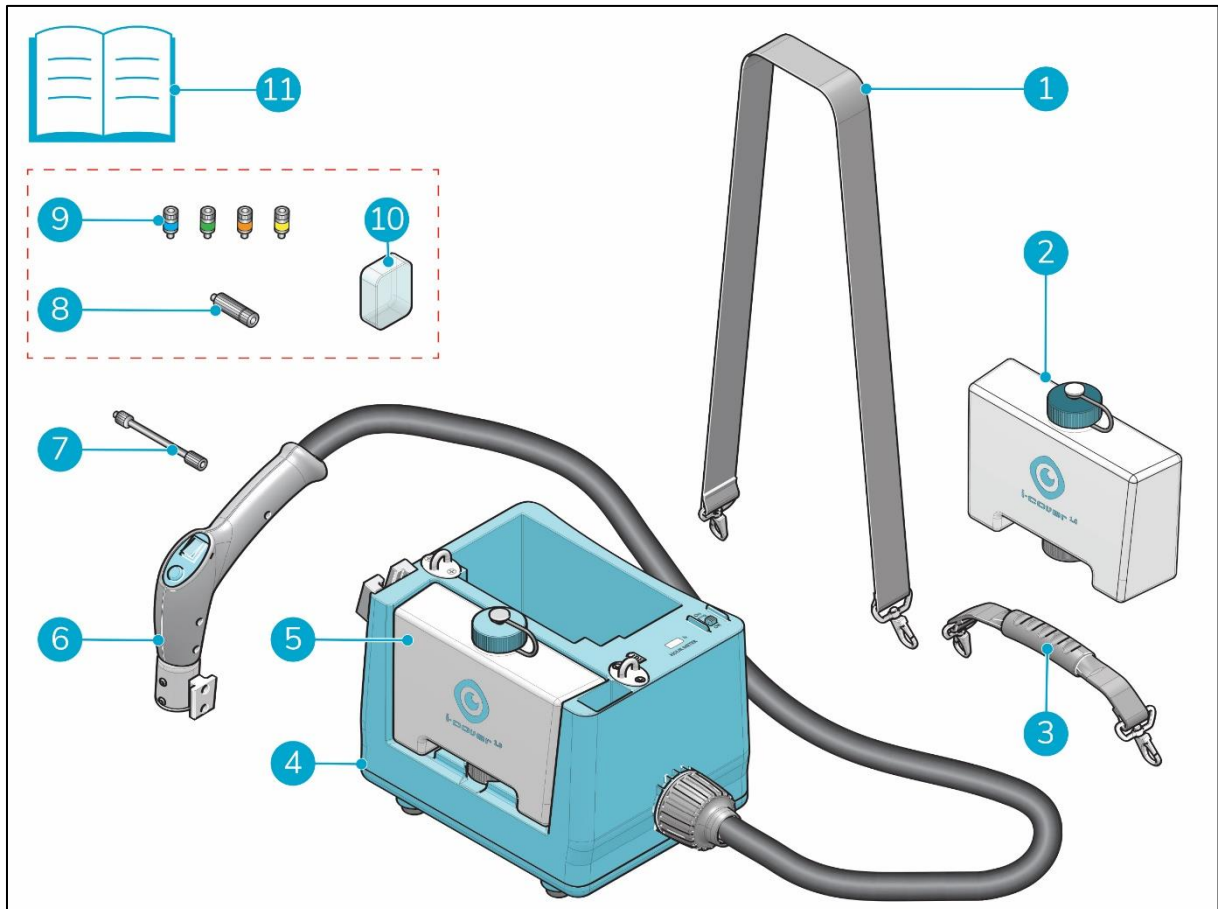


Figure 7

Legend

- | | |
|-------------------------------|----------------------|
| 1. 1x shoulder belt | 7. 1x extension tube |
| 2. 1x extra disinfectant tank | 8. 1x nozzle filter |
| 3. 1x carrying handle | 9. 4x spray nozzle |
| 4. 1x i-cover 1.0 main body | 10. 1x accessory box |
| 5. 1x disinfectant tank | 11. 1x this manual |
| 6. 1x hose with spray gun | |



5.2 Assembly

1. Place the i-cover® 1.0 on a level surface.
2. Place the disinfectant tank (Figure 8, pos 1) on the i-cover 1.0. Press it downwards to make sure that the valve is secured onto the valve stem in the i-cover 1.0 body (Figure 8, pos 4).
3. Attach the carrying handle (Figure 8, pos 3) or shoulder belt (Figure 8, pos 2) with the spring hooks, depending on your preference.

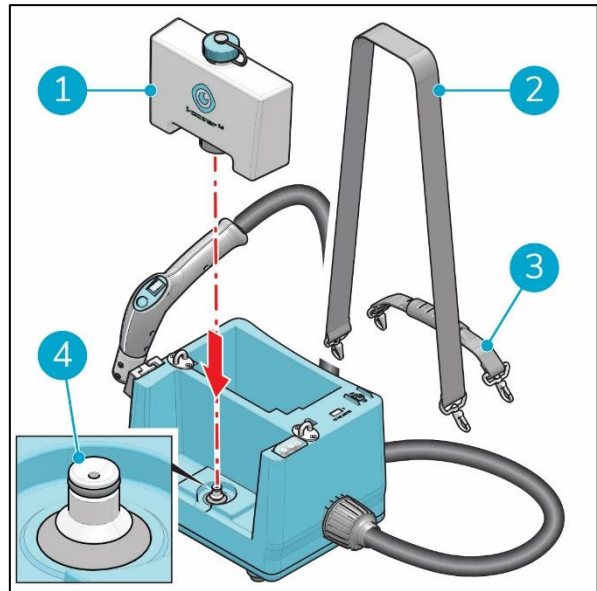


Figure 8

4. Insert the battery (Figure 9, pos 1) in the battery slot (Figure 9, pos 2), until you hear a "click". The battery is now fixated.

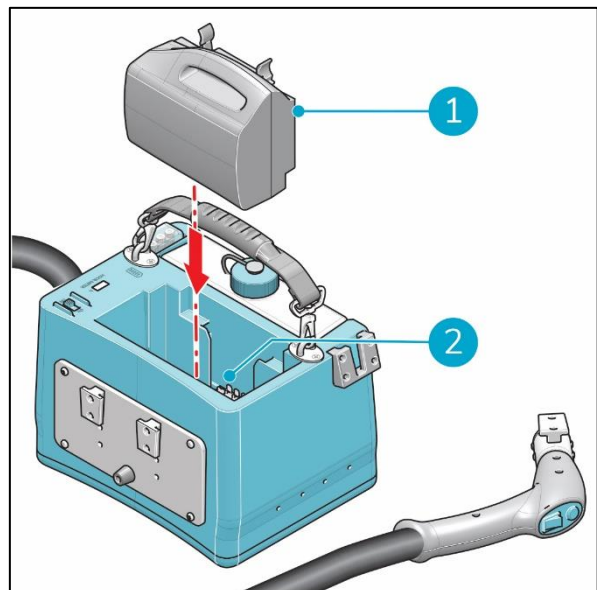


Figure 9



5.2.1 Attaching the right spray nozzle for the job



ATTENTION

- There are 4 different spray nozzles with each its specific application . Choose the right spray nozzle for the specific job. Please see section 2.3.
- All spray nozzles can be used in combination with the nozzle filter.

Normal use.

1. Turn the spray nozzle clockwise to attach it to the spray gun (Figure 10, pos 1).

Extended reach.

1. Turn the extension tube clockwise to attach it to the spray gun (Figure 10, pos 3).
2. Turn the spray nozzle clockwise (Figure 10, pos 2) to attach it to the extension tube.

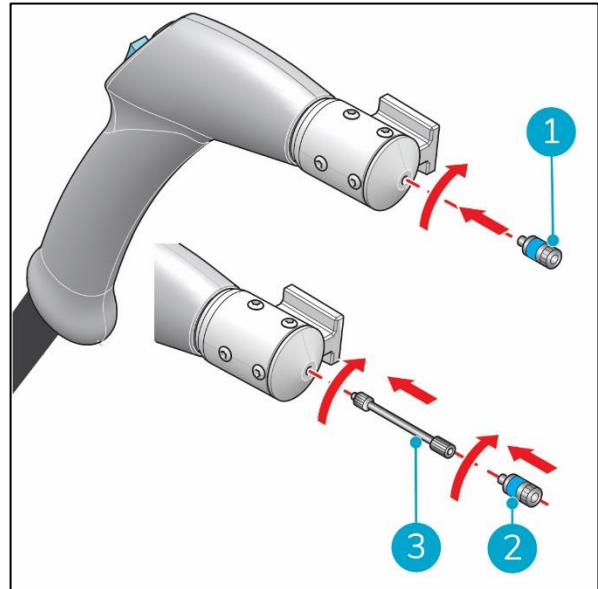


Figure 10



6 Operation

6.1 Before you start



ATTENTION

Make sure that the battery is fully charged before you start. Please refer to the user manual of the i-charge® 9 or the i-charge® 14.

6.1.1 Checking and topping up the disinfectant level

1. Place the i-cover® 1.0 on a level surface.
2. Visually check the level of disinfectant in the tank. If the level is low, pour in extra disinfectant.
3. Turn the filler cap (Figure 11, pos 1) of the disinfectant tank anti clockwise to remove it.
4. Pour in the disinfectant.
5. Turn the filler cap of the disinfectant tank clockwise to lock it. Make sure it seals tight.

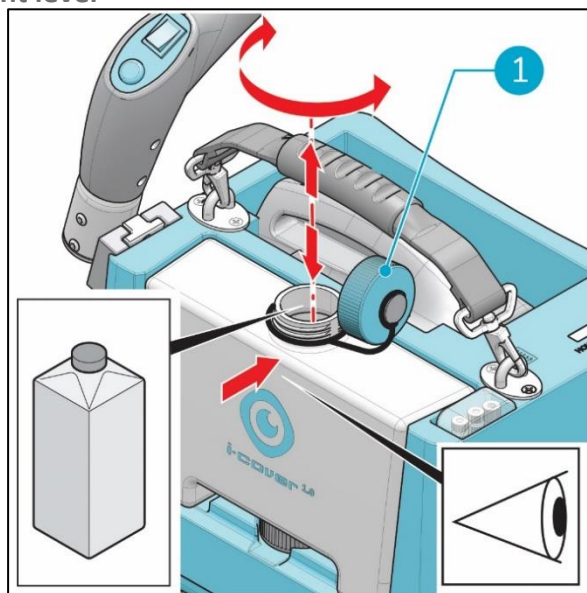


Figure 11



6.2 Operation procedure

1. Place the i-cover® 1.0 on a level surface.
2. Ensure that the i-cover 1.0 is turned off. To do this check the ON/OFF switch on the i-cover 1.0 body (Figure 12, pos 1) and on the spray gun (Figure 12, pos 4).
3. Insert the battery in the slot (Figure 12, pos 2), until you hear a "click". The battery is now fixated.
4. Ensure that the disinfectant tank (Figure 12, pos 3) is in place.
5. Press the ON/OFF switch (Figure 12, pos 1) to turn on the i-cover 1.0. The hour meter and the battery power status display light up. See also section 2.1.
6. Walk to the location where you want to spray.
7. Press the ON/OFF switch on the spray gun (Figure 12, pos 4).
8. Start working with the i-cover 1.0.

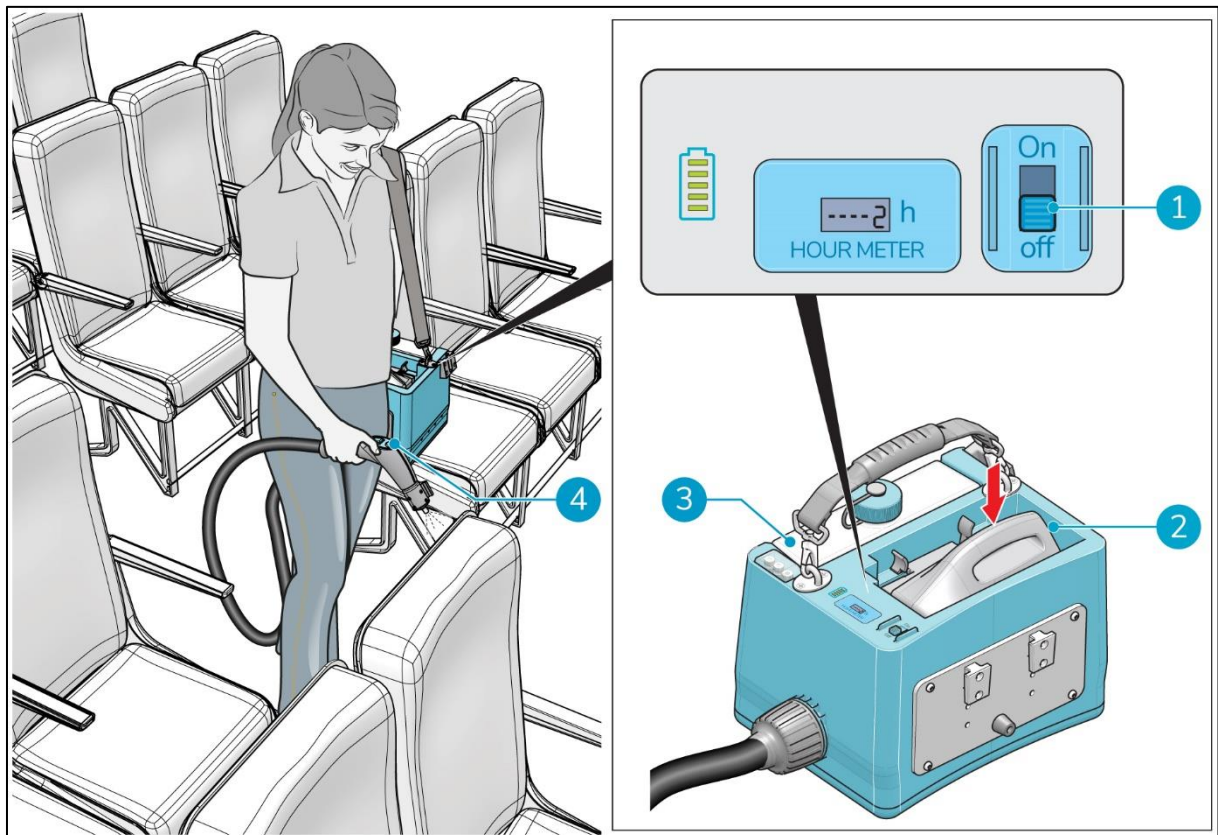


Figure 12



6.2.1 After operation

1. Press the ON/OFF switch on the spray gun (Figure 13, pos 1) to stop spraying.
2. Press the ON/OFF switch (Figure 13, pos 3) to turn off the i-cover® 1.0.
3. Slightly press the plastic clips of the battery (Figure 13, pos 2) towards each other.
4. Pull out the battery.
5. Charge the battery for next use, please refer to the user manual of the i-charge® 9 or i-charge® 14.

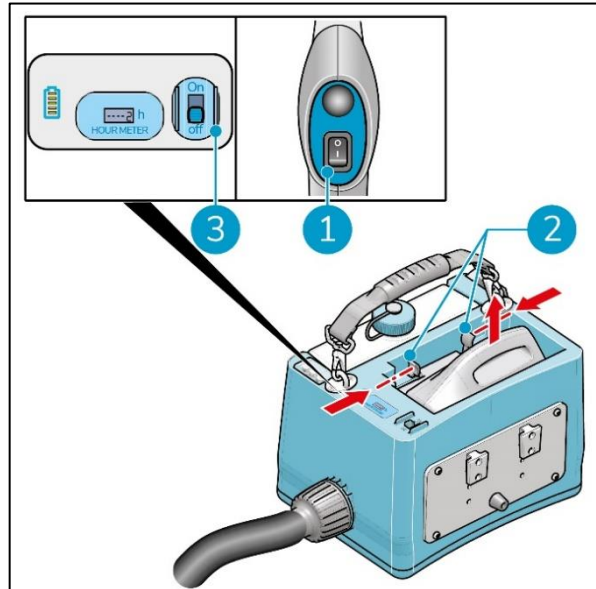


Figure 13

6.2.2 Removing the disinfectant tank

You can remove the disinfectant tank by following the procedure shown in section 5.2 in reversed order.

6.2.3 Removing the spray nozzle

You can remove the spray nozzle by following the procedure shown in section 5.2.1 in reversed order.



6.3 Cleaning and storage

WARNING



- **DO NOT** clean the i-cover® 1.0 with a high pressure cleaner;
- **DO NOT** submerge the i-cover 1.0 in water;
- turn off the i-cover 1.0 and remove the battery.

6.3.1 Flushing the spray nozzle

To prevent blockage of the spray nozzle, it is recommended to flush the spray nozzle with tap water after each use.

1. Remove the spray nozzle, see section 6.2.3.
2. Flush the spray nozzle (Figure 14, pos 1) with tap water.
3. Place the spray nozzle back in the spray gun or extension tube, see section 5.2.1.
4. Wipe the spray gun with a damp cloth.

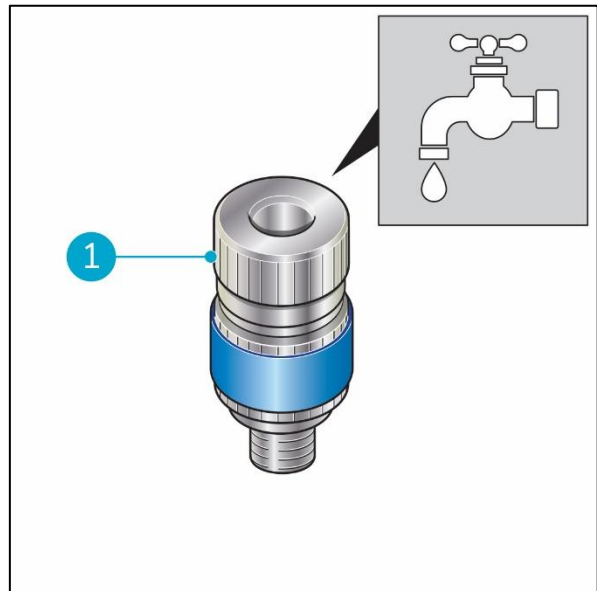


Figure 14



6.3.2 Flushing the disinfectant tank and cleaning the exterior

It is recommended to flush the disinfectant tank of the i-cover® 1.0 daily to prevent it from being clogged. It is also recommended to clean the outside of the i-cover 1.0 once a week or after intensive use, as certain chemicals from the disinfectant may discolor parts of it.

1. Remove the disinfectant tank (Figure 15, pos 1) by pulling it up.

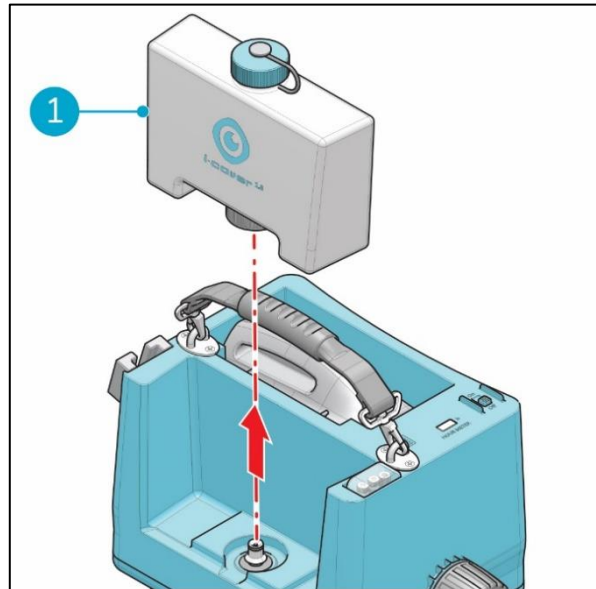


Figure 15

2. Fill the disinfectant tank with tap water (Figure 16, pos 1).
3. Carefully shake the disinfectant tank and dispose of the waste water properly.
4. Place the disinfectant tank back on the i-cover 1.0. Press it downwards to make sure that it sits tight.
5. Wipe down the i-cover 1.0 with a damp cloth.

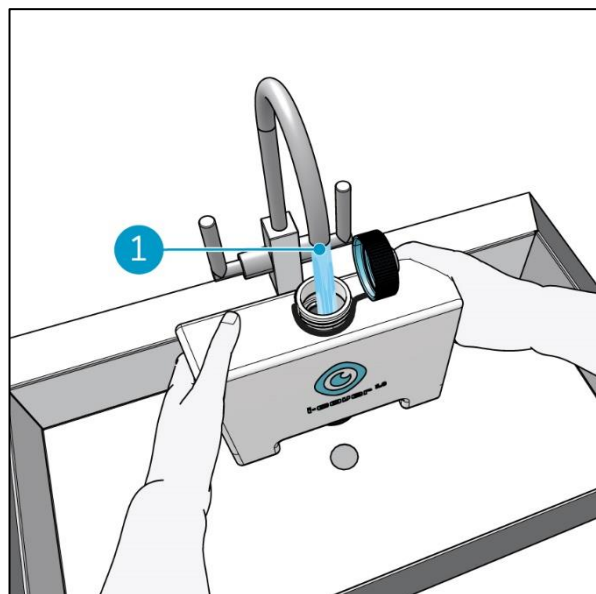


Figure 16

6.3.3 Storage

See section 4.



7 Maintenance

To ensure proper and safe operation throughout the life of the i-cover®, it is recommended to have an authorized i-team partner check the machine after the first 50 hours of use and then every 125 hours afterwards.



8 Troubleshooting

i-cover® 1.0 does not work	Main power switch and/or switch on the spray gun are turned off	Turn on the main power switch and/or switch on the spray gun.
	Empty battery	Charge the battery.
	Battery not correctly inserted	Make sure to reinsert the battery correctly, until you hear a click.
	Disinfectant is low	Turn-off the i-cover 1.0. Fill the tank with disinfectant.
Fluid leakage	Filler cap is not put back correctly	Check and replace the filler cap correctly.
	Drain connector cap is not put back correctly	Check and replace the drain connector cap correctly.
	Detergent tank might not be inserted properly	Remove and reinsert detergent tank.
	i-cover 1.0 was stored or transported lying down without draining the tank first	Place the i-cover 1.0 upright.
Battery not charging	Battery is end of life	Replace battery.



9 Decommissioning and disposal



ATTENTION

It is the responsibility of the i-cover® 1.0 owner to dispose of the product responsibly.

At the end-of-life the i-cover 1.0 still contains valuable resources and needs to be disposed of according to your local laws and regulations regarding recycling of electrical equipment.



Before disposal please:

1. Remove the battery for separate disposal.

TIP:

Alternatively, keep the battery for use in another piece of i-team equipment.

2. Empty the disinfectant tank.
3. Remove all loose components, like spray nozzles, the belt and carrying handle.
4. Dispose all items according to your local laws and regulations.

TIP:

Contact your local i-team partner to explore all possibilities of returning components at the end-of-life of your i-cover 1.0.



10 Attachments

10.1 CE Certificate



EG/EC
KONFORMITÄTSERKLÄRUNG
DECLARATION OF CONFORMITY

Wir:

We: **Future Cleaning Technologies B.V., Hoppenkuil 27b, 5626 DD Eindhoven, Netherlands**

Erklären in alleiniger Verantwortung, das das Produkt: Nebelgerät
Declare under our sole responsibility that the product: Fogger

I-COVER

(Art der Maschine / Type of machine)

I-COVER 1.0
und folgende / and following

(Modell – Seriennummer, Baujahr / Model – serial number, year of production)

auf das sich diese Erklärung bezieht, mit den folgenden Normen übereinstimmt,
to which this declaration relates is in conformity with the following standards,

EN 55014-1:2017, EN 55014-2:2015

(Titel und/oder Nummer sowie Aufgabedatum der Norm(en) oder der anderen normativen Dokument(e)
(Title and/or number and data of issue of the standard(s) or other normative document(s))

gemäß die Bestimmungen der Richtlinien: follow the provision of directives:

EMC 2014/30/EU, Machinery 2006/42/EU, LVC 2014/35/EU, ROHS 2011/65/EU, EU 2015/836 Annex II

Eindhoven, 30.04.2020

Frank van de Ven
Director

(Ort und Datum der Ausstellung)

(Place and Date of issue)

(Name und Unterschrift oder gleichwertige
Kennzeichnung des Befugten)
(name and signature or equivalent marking or
authorized person)



This document is part of the technical file of the i-cover® 1.0 and will be available upon request.