


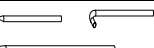



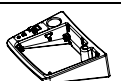

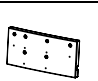
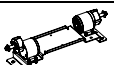
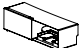

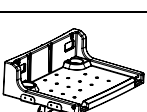
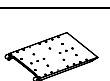
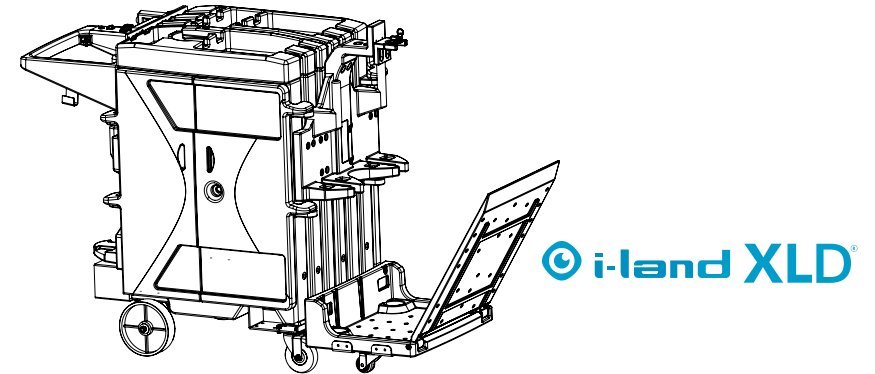


Packing List

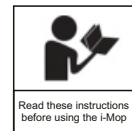
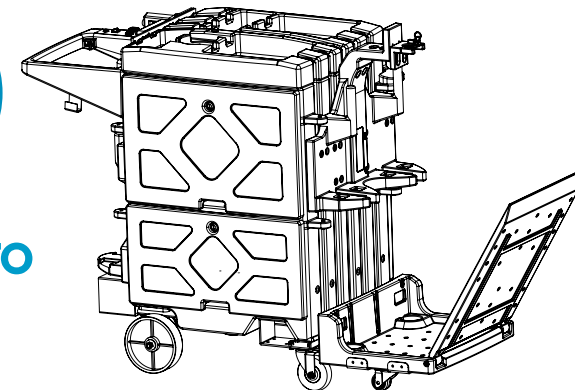
I land XLD drawer packing list				
Item	Name	Photos	Quantity	Note
1	Main body component		1	cable hook with screw are fixed with cable
2	I Land wash bag		1	on the top of main body
3	Small tank holder component		1	on the top of main body 6pcs screw(103.0018.8) in bag - for fix it on main body
4	Tools		1	together in one box in upper drawer
	Strap with clip 1060x38mm		1	
	Keys		3	
5	Middle castor		2	together with 8 PCS screws(103.0018.4) in box OPS161 in upper drawer
6	Handle with control panel		1	include safe ty sign, fix screw in lower drawer
7	Rear wheel		1	together with 2 flat keys in OPS41 in lower drawer
8	Front converter		1	together with 6 PCS screw (103.0018.10) for fix on main body
9	Motor Assy		1	"Right"&"Left" mark on it. screws (103.0018.4) for fix it on main body
10	Control housing		1	together with 2pcs screws(103.0018.4) for fix it on main body
11	Big tank holder		1	together with 8 pcs screws(103.0018.8) for fix it on main body
12	Flat shelf with castor		1	together with 6 pcs screws(103.0018.8) for fix shelf on front convertor 2 pcs screws (103.0018.8) for fix bridge on it
13	Long bridge		2	packed on the side of main body

INSTRUCTION MANUAL



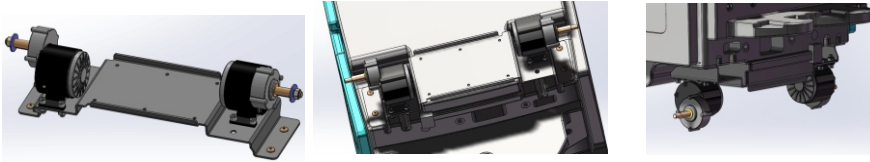
PRO
SERIES
WITH
DRAWERS

i-land XLD Pro



Installation

1. Install motor assy on body with 4 PCS screws (103.0018.4, 0.7" length)
Notice the direction of the plate, there is a mark "RIGHT" on the plate which should be fixed on the right side of main body.

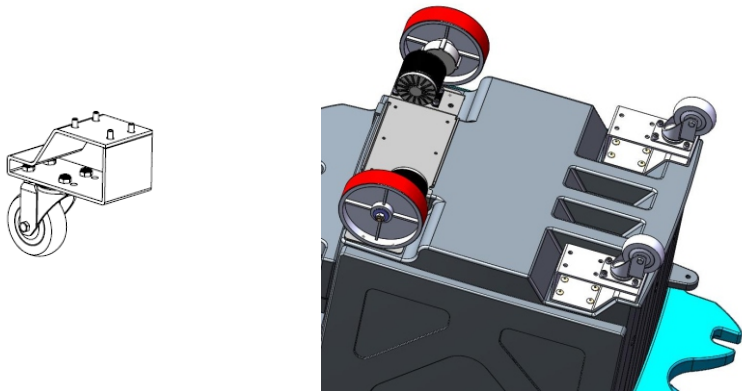


2. Install rear wheel in motor shaft

1. Unscrew nut, spring washer, flat washer out from motor shaft
2. Put the flat key in the slot of motor shaft
3. Assemble the wheel in shaft



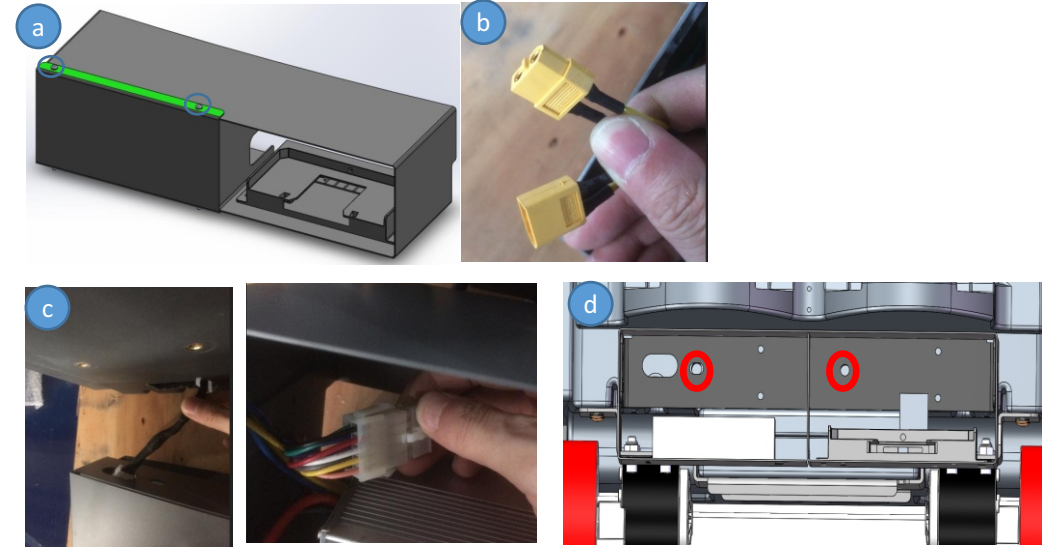
3. Install middle castor as below picture with screw (103.0018.4, 0.7")



Installation

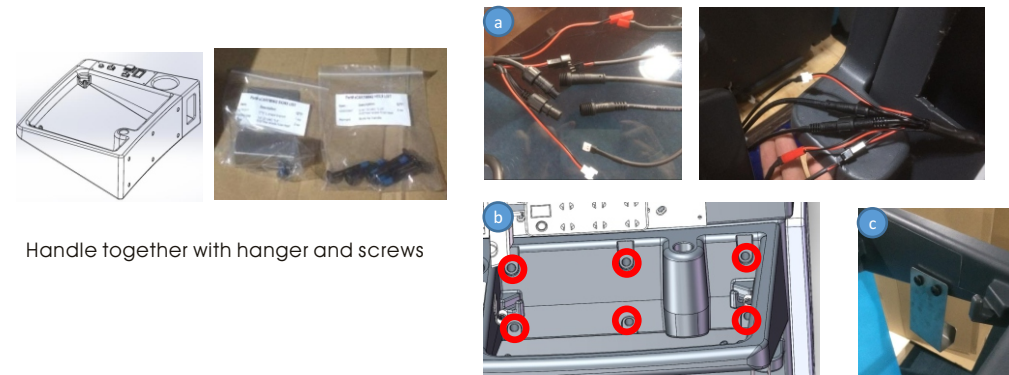
4. Install control module metal housing.

- a. Tear off film, unscrew the screws to take cover off
- b. Insert the motor wire from back house and connect it with control module
- c. Insert control wire into the hose as below, connect it as below picture
- d. Use 2pcs 103.0018.4(0.7") to fix it on body
- e. Install cover of metal housing with screws and nuts.



5. Install handle on body, install safety sign hanger on handle

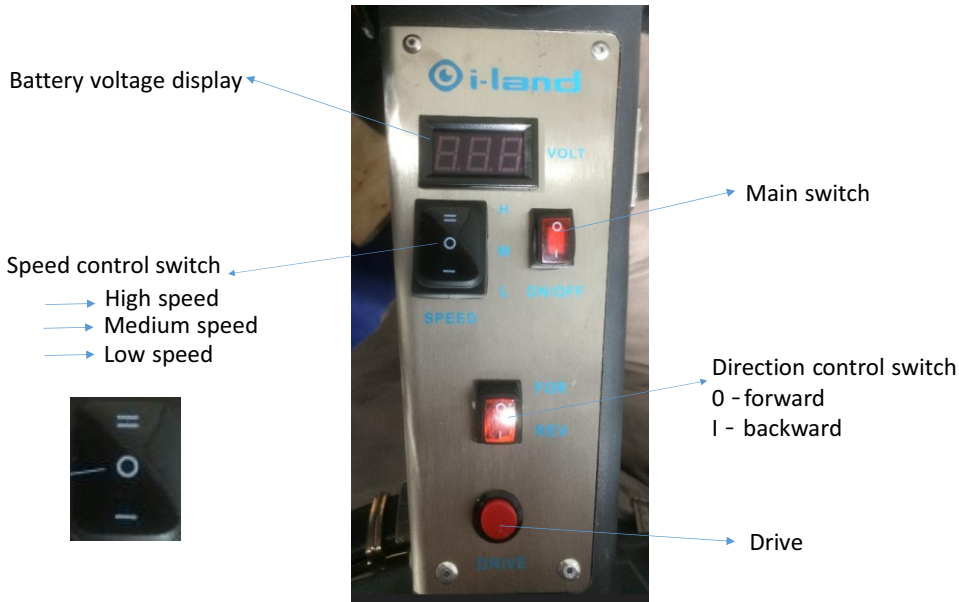
- a. Connector control wire as below picture, and insert wires into hole on handle.
- b. Then use 6 pcs 103.0018.0(2.25") to fix handle on body
- c. Use 2 pcs 103.0018.2 to fix safety sign hanger on handle as below



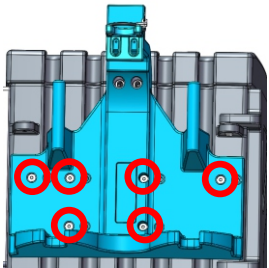
Handle together with hanger and screws

Installation

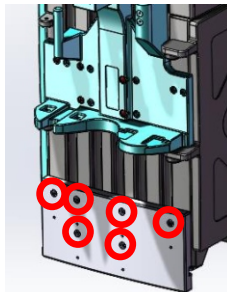
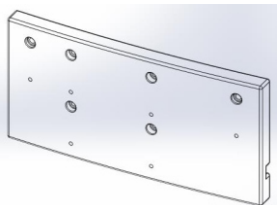
6. Instruction of control board on handle



7. Install small tank holder on the back of body
Use 6 pcs 103.0018.8(1.5") to fix it as below picture of tank holder.

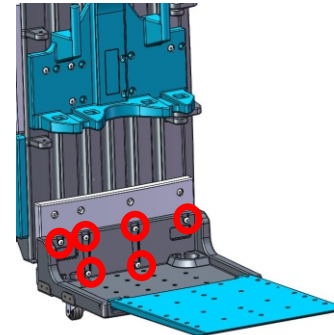


8. Install the convert plate
Use 6 pcs 103.0018.10(2") to fix it as below picture



Installation

9. Install SA shelf to convert plate.
Use 6 pcs 103.0018.8(1.5") screw to fix it as below picture



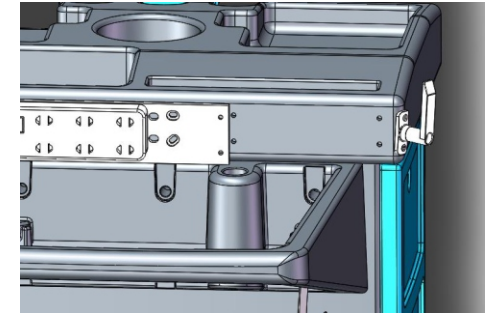
11. To connect the belt (103.0016.0)



13. To attach the bag (103.0025.0/394)
on the handle of cart.



10. Install the cable hook as below picture



12. Install the hook (1 pcs 103.0021.1)
with screws (2 pcs 103.0018.2)

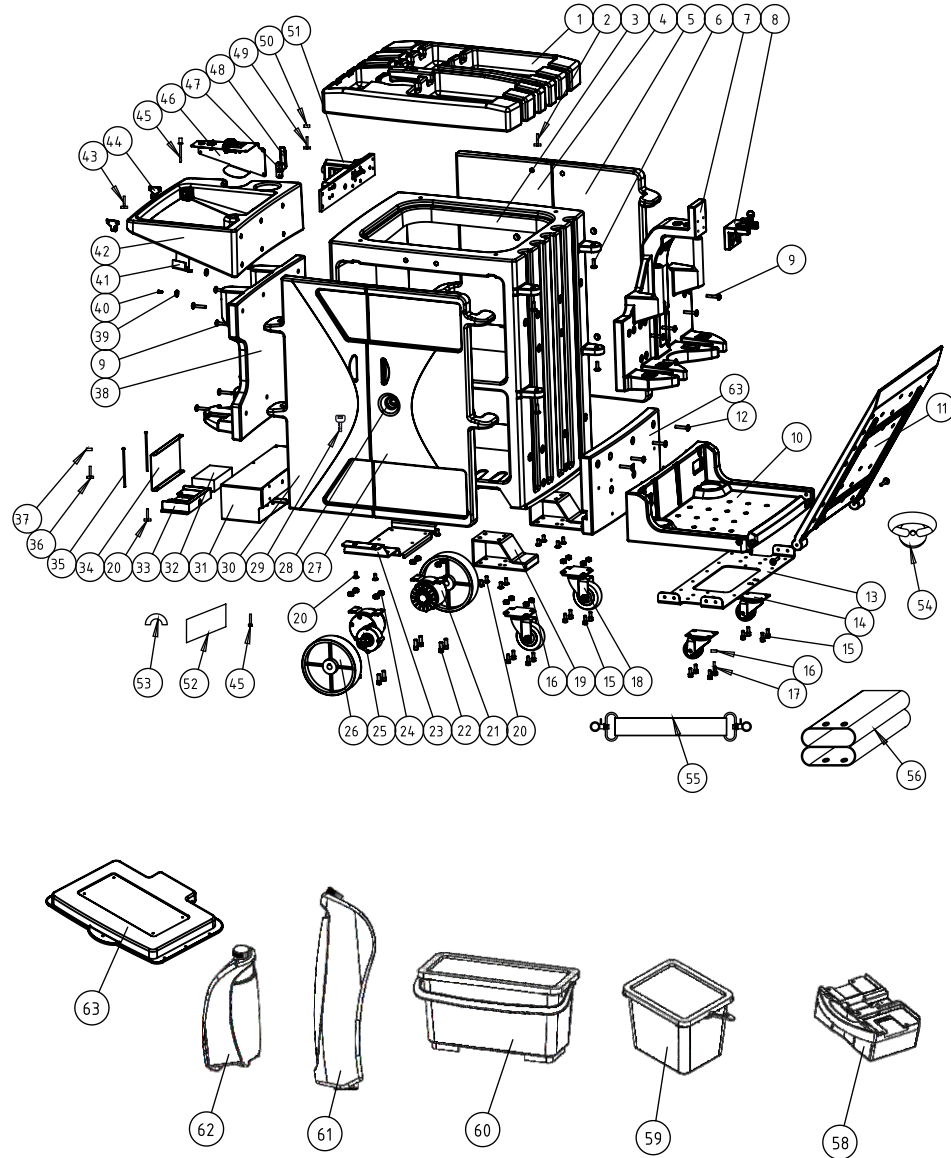


Operation

1. Use key to open and lock the drawer.
2. Small tank holder which can hold 2 small tanks.
3. Big tank holder which can hold 2 big tanks.
4. Disconnect the belt and put the bridge on the ground, Push the imop machine on the flat shelf and lock the machine handle by land lock system, then connect the belt and grasp the handle of the land to push. you can sue the rear wheel to stop the land.
5. Use socket on i-Land to offer the power for battery charger.

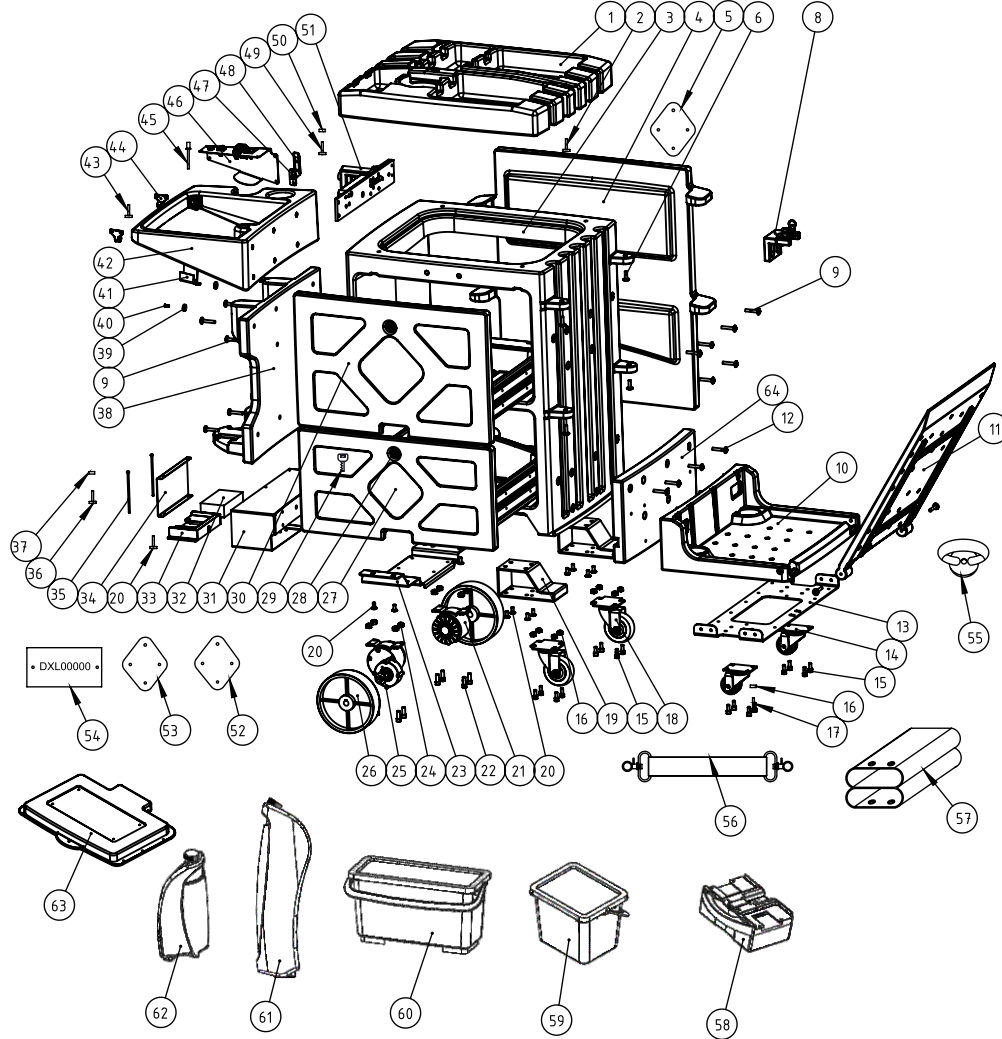


Exploded Views



Item	P/N	Description	Qty.
1	103.0001.394	I TROLLEY TOP COVER, GREY	1
2	103.0018.13	SCREW 1/4"-20UNC*1.75" 5/32	4
3	103.0002.394	I TROLLEY MAIN BODY, GREY	1
4	103.0044.394	LEFE REAR DOOR, GREY	1
5	103.0045.394	LEFE FRONT DOOR, GREY	1
6	103.0018.9	SCREW 5/16"-18UNC*1.5" 5/32	8
7	103.0003.XXX	I TROLLEY SMALL TANK HOLDER	1
8	S.103.0019.XX	ASSY FRONT OF THE SMALL AND BIG TANK HOLDER BLUE	1
9	103.0018.8	SCREW 5/16"-18UNC*1.5" 5/32	20
10	103.0006.394A	I TROLLEY FLAT SHELF WITH STRNONG CASTOR	1
11	103.0041.394	I LAND LONE BRIGE	1
12	103.0018.10	SCREW 5/16"-18UNC*2" 5/32	8
13	103.0191.0	SHELF STEEL BOARD	1
14	103.0022.1	2.5" CASTOR FOR NEW FLAT SHELF	2
15	103.0118.28	SCREW M8X25	16
16	103.0018.21	NUT NYLON M8	16
17	103.0018.27	SCREW M6X20	20
18	103.0022.3	4" CASTOR	2
19	103.0199.0	I LAND XL CASTOR HOLDER	2
20	103.0018.4	SCREW 5/16"-18UNC*0.7" 5/32	16
21	103.0160.0	LEFT MOTOR WITH 45CM WIRE	1
22	103.0018.24	SCREW M10X25	8
23	103.0176.394	REAR WHEEL BRACKET	1
24	103.0018.25	NUT NYLON M10	8
25	103.0160.1	RIGHT MOTOR WITH 75CM WIRE	1
26	103.0161.0	DRIVE WHEEL	2
27	103.0043.797	RIGHT FRONT DOOR, BLUE	1
28	103.0015.0	I TROLLEY LOCK	2
29	103.0015.1	I LAND KEY	6
30	103.0042.797	RIGHT REAR DOOR, BLUE	1
31	103.0195.394	SA METAL HOUSING	1
32	103.0168.0	CONTROL PCBA AL HEAT SINK HOUSING	1
33	106.2167.0	BATTERY FITING HOUSING BLACK	1
34	103.0198.394	METAL COVER	1
35	103.0018.31	SCREW M4X140	2
36	103.0018.30	SCREW M5X16	10
37	04.0048.0	NUT M5 NYLON	10
38	103.0004.394A	I TROLLEY BIG TANK HOLDER, KLEUR: GREY.394	1
39	103.0017.0	I TROLLEY MAGNETS	2
40	103.0018.7	SCREW #10-24 UNC *0.55" (USS00589)	2
41	103.0021.1	SAFETY SIGN HANGER	1
42	103.0000.394	I TROLLEY HANDLE	1
43	103.0018.0	SCREW 5/16"-18UNC*2.25" 5/32	6
44	103.0026.1	NEW HOOK FOR BAG	2
45	54.0029.0	BLIND REVIT NAIL 4X15MM	18
46	S.103.0193.0	ASSY PLATE C	1
47	22.0301.0	CABLE HOOK EXTERNAL NEW	1
48	24.0001.0/A	CABLE HOLDER ADAPTOR	1
49	00.0108.1	SCREW M8X27 HEXAGON	1
50	61.0107.2	NUT NYLON M8	1
51	103.0019.X	I LAND PLUG SOCKET	1
52	103.0466.0015.15	AL PLATE DOOR I LAND XL	2
53	103.0466.0015.04	ARC AL PLATE ON I-LAND DOOR	2
54	103.0018.1	I TROLLEY RING SCREW	2
55	103.0016.0	I TROLLEY STRAP WITH CLIP	1
56	103.0025.0/394	I LAND WASH BAG 2 CAVITY, GREY	1
57	S.72.0104.X	IMOP BATTERY CHARGER	2
58	S.92.0018.390/797	ASSEMBLY BUCKET 3.5GALLON GREY	1
59	S.92.0015.390/797	ASSEMBLY BUCKET 6 GALLON GREY	1
60	S.72.0088.1	DIRT COMPARTMENT	2
61	S.72.0081.1	ASSY CLEAN COMPARTMENT COMPLETE	2
62	S.103.0079.0	ASSY GARBAGE BRACKET ICART	1
63	103.0173.394	FRONT CONVERTER	1

Exploded Views



Item	P/N	Description	Qty.
1	103.0001.394	I TROLLEY TOP COVER, GREY	1
2	103.0018.13	SCREW 1/4"-20UNC*1.75" 5/32	4
3	103.0002.394	I TROLLEY MAIN BODY, GREY	1
4	103.0005.394	I TROLLEY BIG COVER, Grey	1
5	103.0466.0015.10	AL PLATE ON XL BACK DOOR	1
6	103.0018.9	SCREW 5/16"-18UNC*1.5" 5/32	8
7	103.0003.XXX	I TROLLEY SMALL TANK HOLDER	1
8	S.103.0019.XX	ASSY FRONT OF THE SMALL AND BIG TANK HOLDER BLUE	1
9	103.0018.8	SCREW 5/16"-18UNC*1.5" 5/32	20
10	103.0006.394A	I TROLLEY FLAT SHELF WITH STRONG CASTOR	1
11	103.0041.394	I LAND LONE BRIGE	1
12	103.0018.10	SCREW 5/16"-18UNC*2" 5/32	8
13	103.0191.0	SHELF STEEL BOARD	1
14	103.0022.1	2.5" CASTOR FOR NEW FLAT SHELF	2
15	103.0118.28	SCREW M8X25	16
16	103.0018.21	NUT NYLON M8	16
17	103.0018.27	SCREW M6X20	20
18	103.0022.3	4" CASTOR	2
19	103.0199.0	I LAND XL CASTOR HOLDER	2
20	103.0018.4	SCREW 5/16"-18UNC*0.7" 5/32	16
21	103.0160.0	LEFT MOTOR WITH 45CM WIRE	1
22	103.0018.24	SCREW M10X25	8
23	103.0176.394	REAR WHEEL BRACKET	1
24	103.0018.25	NUT NYLON M10	8
25	103.0160.1	RIGHT MOTOR WITH 75CM WIRE	1
26	103.0161.0	DRIVE WHEEL	2
27	103.0008.797	I TROLLEY TOP DRAWER, Blue	1
28	103.0015.0	I TROLLEY LOCK	2
29	103.0015.1	I LAND KEY	6
30	103.0009.797	I TROLLEY BOTOM DRAWER, Blue	1
31	103.0195.394	SA METAL HOUSING	1
32	103.0168.0	CONTROL PCBA AL HEAT SINK HOUSING	1
33	106.2167.0	BATTERY FITTING HOUSING BLACK	1
34	103.0198.394	METAL COVER	1
35	103.0018.31	SCREW M4X140	2
36	103.0018.30	SCREW M5X16	10
37	04.0048.0	NUT M5 NYLON	10
38	103.0004.394A	I TROLLEY BIG TANK HOLDER, KLEUR: GREY.394	1
39	103.0017.0	I TROLLEY MAGNETS	2
40	103.0018.7	SCREW #10-24 UNC *0.55" (USS00589)	2
41	103.0021.1	SAFETY SIGN HANGER	1
42	103.0000.394	I TROLLEY HANDLE	1
43	103.0018.0	SCREW 5/16"-18UNC*2.25" 5/32	6
44	103.0026.1	NEW HOOK FOR BAG	2
45	54.0029.0	BLIND REVIT NAIL 4X15MM	22
46	S.103.0193.0	ASSY PLATE C	1
47	22.0301.0	CABLE HOOK EXTERNAL NEW	1
48	24.0001.0/A	CABLE HOLDER ADAPTOR	1
49	00.0108.1	SCREW M8X27 HEXAGON	1
50	61.0107.2	NUT NYLON M8	1
51	103.0019.X	I LAND PLUG SOCKET	1
52	103.0466.0015.08	AL PLATE ON XL BIG DRAWER	1
53	103.0466.0015.09	AL PLATE ON XL SMALL DRAWER	1
54	103.0466.0015.21XL	METAL PLATE I LAND XL	1
55	103.0018.1	I TROLLEY RING SCREW	2
56	103.0016.0	I TROLLEY STRAP WITH CLIP	1
57	103.0025.0/394	I LAND WASH BAG 2 CAVITY, GREY	1
58	S.72.0104.X	IMOP BATTERY CHARGER	2
59	S.92.0018.390/797	ASSEMBLY BUCKET 3.5GALLON GREY	1
60	S.92.0015.390/797	ASSEMBLY BUCKET 6 GALLON GREY	1
61	S.72.0088.1	DIRT COMPARTMENT	2
62	S.72.0081.1	ASSY CLEAN COMPARTMENT COMPLETE	2
63	S.103.0079.0	ASSY GARBAGE BRACKET ICART	1
64	103.0173.394	FRONT CONVERTER	1