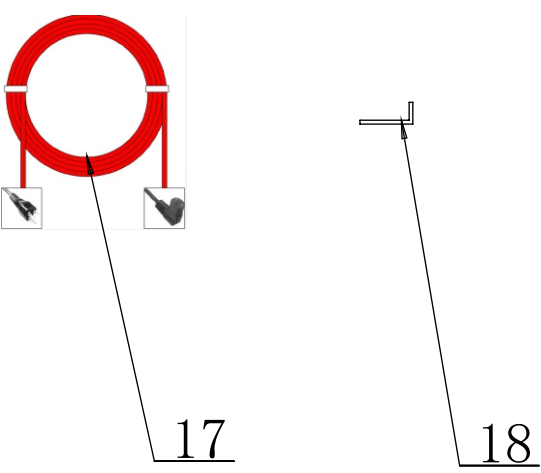
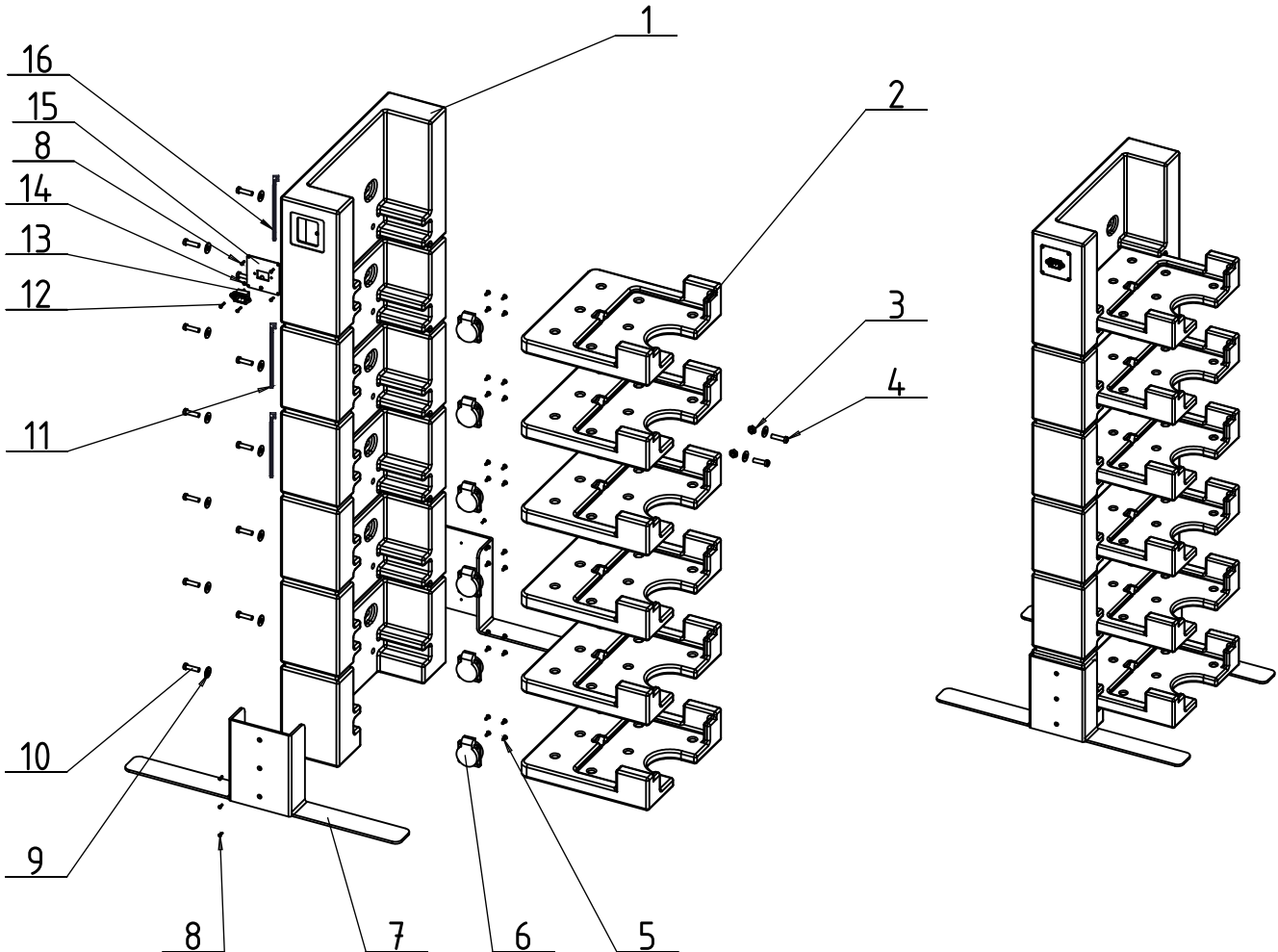




i-team®

INSTRUCTION MANUAL WALL CHARGER 6 LAYER (STAND)



WRS6

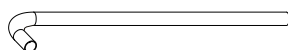
Item	Product	Description	Quantity
1	72.0283.0	WALL CHARGER MAIN BODY 6 LAYER	1
2	72.0277.0A	WALL CHARGER HOLDER	6
3	61.0107.2	NUT NYLON M8	2
4	61.0107.4	HEXAGON SCREW M8X60	2
5	85.1018.0	SCREW M4 X 14 CROSSHEAD SELFTAPPING BL-NI	24
6	72.0279.0	WALL CHARGER SOCKET EU	6
7	72.0294.0	WALL CHARGER FEET	2
8	00.0002.10	SCREW M3*10MM [CROSSED HEAD + TAPED] Stainless	10
9	54.0032.0	WASHER M8 [22 x 8.5 x 2.0]	14
10	61.0107.1	SCREW HEXAGON M8X30	12
11	64.0337.1	BLACK, GREEN, WHITE WIRE 18AWG 300MM	5
12	00.0002.6	SCREW M3 X 16	2
13	72.0002.8	RECEPT INLET 3P+TWO SCREW HOLES CB 3PIN WITH 250 TERMINAL	1
14	20.0031.5	NUT M3 NYLON	2
15	72.0282.1	FIX PLATE 6 NEW	1
16	64.0337.0	BLACK, GREEN, WHITE WIRE +250 TERMINAL 18AWG 160MM	1
17	24.0039.X	COEDSET DETACHABLE 3P 11M 1.0MM RED	1
18	68.0003.0	ALLEN KEY 6#	1

<p>The device is only suitable for indoor use; do not expose the device to rain.</p>	<p>Read these instructions before using the i-mop.</p>	<p>Read these Safety Instructions before operating.</p>
--	--	---

INSTRUCTION MANUAL

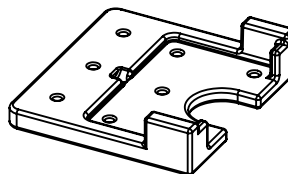
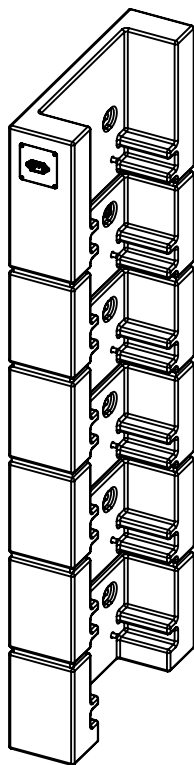
WALL CHARGER 6 LAYER (STAND)

1. Alan wrench Key 6# (Part No.68.0003.0)



2. Material List:

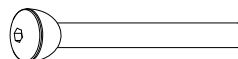
- 1) 72.0283.0 wall charger 6 layer, 1pcs 2) 72.0277.0A wall charger holder, 6pcs



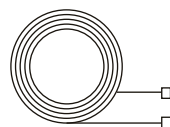
- 3) 54.0032.0 washer M8, 14pcs



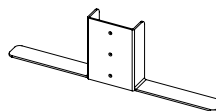
- 4) 61.0107.1 hexagon screw, 12pcs



- 5) 24.0039.X cordset detachable 3P 11M, 1pcs



- 6) 72.0294.0 wall charger feet, 2pcs



3. Procedure

- 1) Open the card box and take the wall charger out.
- 2) Install the 72.0277.0A (6pcs) with 54.0032.0(12PCS) and 61.0107.1(12PCS) on 72.0283.0
- 3) Insert the 24.0039.X on 72.0283.0
- 4) Install 72.0294.0 on the bottom of the body by 00.0002.10.

