

# i-air Pro<sup>®</sup>

Stand alone indoor air purification system

## User Manual



**i-team Professional b.v.**

Hoppenkuil 27b, 5626 DD Eindhoven, The Netherlands

T +31402662400

E [hello@i-teamglobal.com](mailto:hello@i-teamglobal.com)

I [www.i-teamglobal.com](http://www.i-teamglobal.com)





Original user manual, written in the English Language  
Future Cleaning Technologies B.V.  
Hoppenkuil 27b, 5626 DD Eindhoven, The Netherlands

T +31402662400

E [hello@i-teamglobal.com](mailto:hello@i-teamglobal.com)

I [www.i-teamglobal.com](http://www.i-teamglobal.com)

Model: I-AIR PRO®

Date: 02/12/2020

Product code: I-AIR PRO.2020.01.....

Version: 2.0



## Preface

Congratulations, you have just become the owner of the i-air Pro<sup>®</sup>, the air cleaner with the newest and unique technology in air treatment. Your i-air Pro will improve your indoor air quality in a way no other unit can. This will improve your life standard and safety.

Please read this manual carefully before you start using the i-air Pro. This will help you to enjoy the results i-air Pro delivers, for a long time.

The i-air Pro is easy to use when you follow the instructions. Please read the user manual carefully. Become familiar with the correct operation and maintenance procedures. Store the manual in a safe place. The manual is an essential part of the i-air Pro and must be handed over to the new owner upon resale or exchange. Each i-air Pro has a unique identification number that can be found on the back side of the unit, in the left lower corner. Your i-team partner needs this number when you order parts.

When this manual refers to “the manufacturer” this means: Future Cleaning Technologies B.V., an affiliate company of i-team in Eindhoven, the Netherlands. When this manual mentions “the partner”, your local i-team resell and support service partner is referred to.

## Purpose of the user manual

The purpose of the user manual is to provide the user with information during the life of the i-air Pro in such a way that the i-air Pro is used correctly, efficiently and safely, even in the event of reasonably foreseeable misuse.

The user manual contains instructions regarding:

- personal operator safety;
- intended and non-intended use of the i-air Pro;
- instructions for daily use;
- maintenance instructions;
- storage conditions;
- disposal of the i-air Pro.

These instructions must be considered to avoid risks that could lead to physical and/or material damage.

## Target audience

This user manual is intended for operators of the i-air Pro and their supervisors, as well as partners and importers.

## Operators of the i-air Pro




The i-air Pro may only be operated by a person who:

- has correctly read and understood the instructions in this manual;
- is trained by an experienced operator who has read and understood the instructions in this manual.



## Reading guide

The following symbols and terms are used throughout this manual to alert the reader to safety issues and important information:

Symbol	Term	Explanation
	WARNING	Indicates a hazardous situation which, if the safety instructions are not followed, can lead to injuries of the operator or bystanders, light and/or moderate damage to the product or the environment.
	CAUTION	Indicates a hazardous situation which, if the safety instructions are not followed, can lead to light and / or moderate damage to the product or the environment.
	ATTENTION	Indicates a liability situation, where the manufacturer or its partners and affiliates cannot be held accountable for damages caused by non-compliance.



# Content

Preface.....	3
Purpose of the user manual .....	3
Target audience .....	3
Operators of the i-air Pro .....	3
Reading guide .....	4
1 Introduction .....	7
1.1 Intended use of the product.....	7
1.2 Non-intended use of the product .....	8
1.3 Lifespan .....	8
1.4 Modifications .....	8
1.5 Specifications .....	9
1.6 Warranty.....	10
1.7 Identification.....	10
2 Description .....	11
2.1 Working principle.....	12
3 Safety .....	13
3.1 General safety instructions .....	13
3.2 Machine orientation .....	13
4 Transport and storage .....	14
5 Assembly and installation .....	15
5.1 Unboxing .....	15
5.1.1 Unboxing your i-air Pro .....	16
6 Operation .....	17
6.1 Before you start .....	17
6.2 Main power on/off.....	17
6.3 Front logo lighting on/off .....	17
6.4 Control panel .....	18
6.4.1 Using the control panel.....	18
6.4.2 Fan menu.....	19
6.4.3 Schedule menu .....	20
6.4.4 Sensors menu .....	21
6.4.5 Lamps menu .....	22
6.4.6 Settings menu.....	23
6.4.7 Status menu.....	24
7 Maintenance .....	25
7.1 Replace the carbon pre-filter .....	25



7.2	Replace the main HEPA (H14) filter .....	27
7.3	Recommended additional cleaning .....	28
7.4	Ordering replacement filters .....	28
7.5	Service interval UV-lamps .....	29
8	Trouble shooting .....	30
9	Decommissioning and disposal .....	31
10	Attachments.....	32
10.1	Technical specifications.....	32
10.2	CE certificate.....	33



# 1 Introduction

The i-air Pro is a safe and easy to use machine. This manual helps you to get started and explains the operation and maintenance procedure. You will be surprised how fast and effective the i-air Pro is in improving the indoor air quality. But remember, NO unit in the world is able to remove 100% of all contaminants from the air. The quality of healed air delivered by i-air Pro is unconquerable.

Indoor air quality refers to the air quality within buildings and structures, focusing on health and comfort of building occupants. In general it is what we experience as the temperature, humidity, good or bad ventilation and concentration of different air contaminants.

It is scientifically proven that the indoor air quality can be five to ten times worse than outdoor air quality, especially with regard to airborne chemicals and microbiological contamination.

There are three main contaminants' groups:

- particulate matter - air suspended particles (commonly known as PM level);
- VOC (volatile organic compounds) - gases emitted from solid or liquid sources, which include a wide range of chemicals, some with short term or long term effect on health and human body;
- (micro) biological contamination - includes bacteria, viruses and molds.

Only by eliminating all three groups of contaminants the air we breathe is safe and healthy. We call it healed air. The best way to improve your indoor air quality is to:

- reduce the contamination at its source, for example by reducing the use of chemicals (including cleaning chemicals), using proper filters in vacuum cleaners and reducing cross contamination between rooms and buildings;
- improve ventilation (often a difficult and expensive solution, especially in modern buildings with complex HVAC systems);
- use an air cleaner. The i-air Pro is one of the very few air cleaners that deliver really pure air. We call it healed air, since it is perfectly purified and healthy.

i-team continuously improves all their products based on user experience and feedback. Any deviations between the texts and/ or images from the manual and your i-air Pro can therefore arise from the difference in model or from possible changes due to continuous development and innovation.

## 1.1 Intended use of the product

The i-air Pro is developed around the unique FS-ACT® technology (USA, Europe and other countries patent protected) which targets all three groups of contaminants, delivering really clean air.

FS-ACT® translates into Full Spectrum Air Cleaning Technology. Our system is the first and only on the market which works truly as a Neutralize & Collect technology. The i-air Pro does not just filter the air. It also neutralizes all living organisms, breaks down and eliminates harmful gases and, before air outlet, collects all particles and what is left from microbes on a high grade filter.

- The i-air Pro is for indoor use only, do not use it outdoors.
- The machine is designed for commercial use in medium to large spaces (up to 500 m<sup>2</sup>). Of course the actual space coverage will depend on the contamination level. In a specific situation with one i-air Pro unit you will be able to heal the air on a smaller space or you may be forced to use two units. The i-air Pro is a very powerful unit and it is not intended to be used in small spaces, below 100 m<sup>2</sup>.



## 1.2 Non-intended use of the product



### **WARNING**

Non-intended use can have consequences for the safety of operators and bystanders and will void the warranty on the product.

Do not use the i-air Pro:

- outdoors;
- in the proximity of high humidity sources, like indoor air humidifiers, spa area near the indoor fountains;
- in industrial applications with a high dust level since this will limit the efficiency and may damage the unit;
- without the use of a grounded 220V power source;
- with a damaged power cord;
- in areas or rooms with a risk of explosion;
- with clogged air inlet and filters.

## 1.3 Lifespan



### **CAUTION**

The i-air Pro is designed to work almost maintenance free for a long time. You should not need to contact an authorized i-team partner before 4 years of running i-air Pro 24/7. But should error codes happen too often, always do contact your supplier to ensure long and trouble free operations. When run in a 24/7 mode, you will have to replace certain parts, this operation is possible and doable only by your specialized service provider.

## 1.4 Modifications

It is not permitted to make modifications to the design and construction of the i-air Pro without consultation and written permission from the manufacturer. This affects the warranty, see section 1.6 Warranty, and may be the reason of potentially risky and dangerous situations.





## 1.5 Specifications

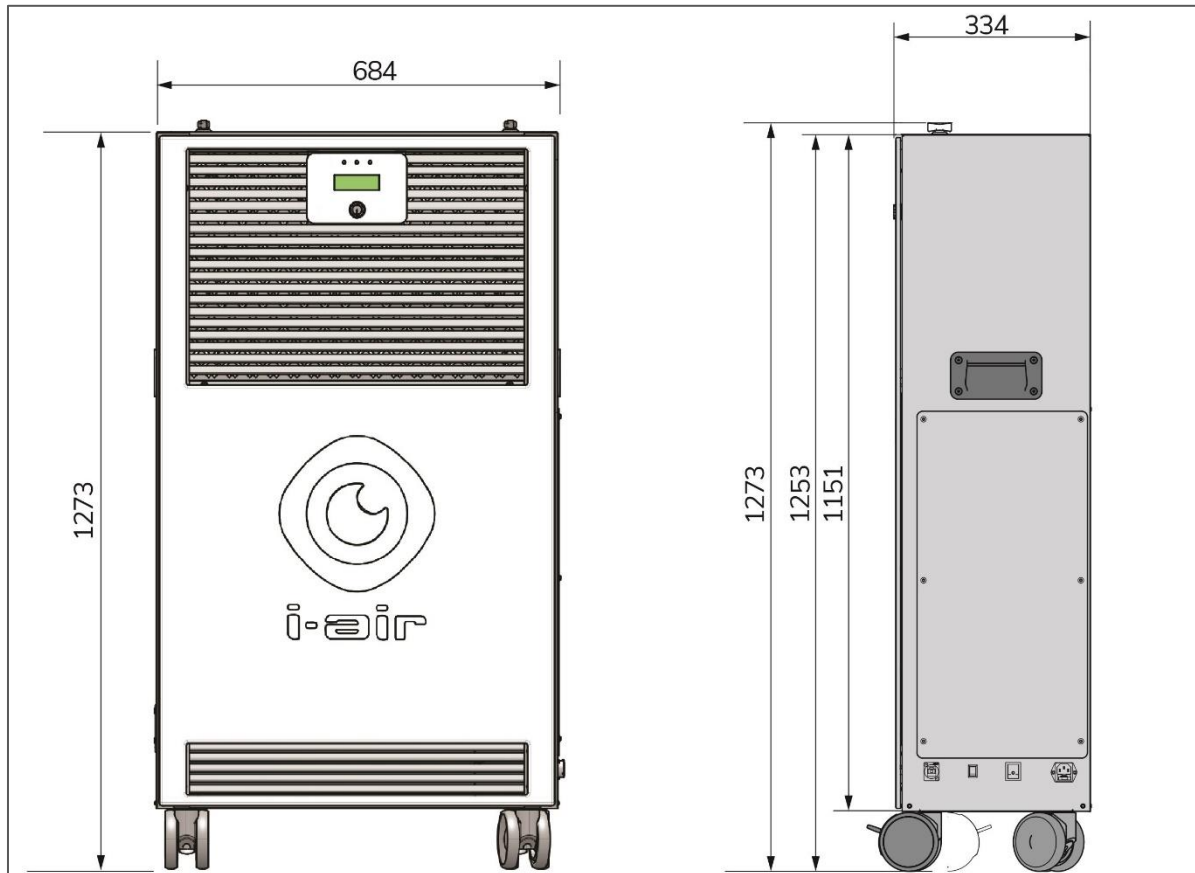


Figure 1

Product (body unit):	1273*684*334 mm
Weight:	72 kg
Control panel on front of unit:	yes
Transport wheels:	yes



## 1.6 Warranty

The i-air Pro should only be used with the materials supplied. Using alternative supplies may cause damage to the i-air Pro and may cause a risk to the operator. The use of alternative supplies voids manufacturer's warranty. Standard manufacturer's warranty period is 12 months.

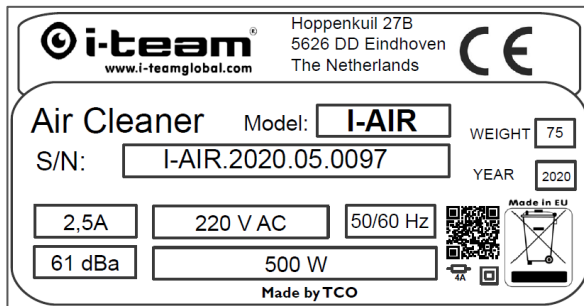
For warranty conditions please contact:

☎ 0031 (0)40 266 24 50.

## 1.7 Identification

Each i-air Pro has a unique identification number that can be found on the back side of the unit, in the left lower corner. Your i-team partner needs this number when you order parts.

Explanation type plate:



Product type: i-air Pro

Serial number: I-AIR.2020.05

Power supply and capacity: AC 220 V 500 W

Manufacturer: TCO Sp. z o.o.

Country of assembly: Poland

Figure 2



## 2 Description

The i-air Pro combines state-of-the-art air purifying technologies in one, easy to set up stand-alone unit. The i-air Pro consists of:

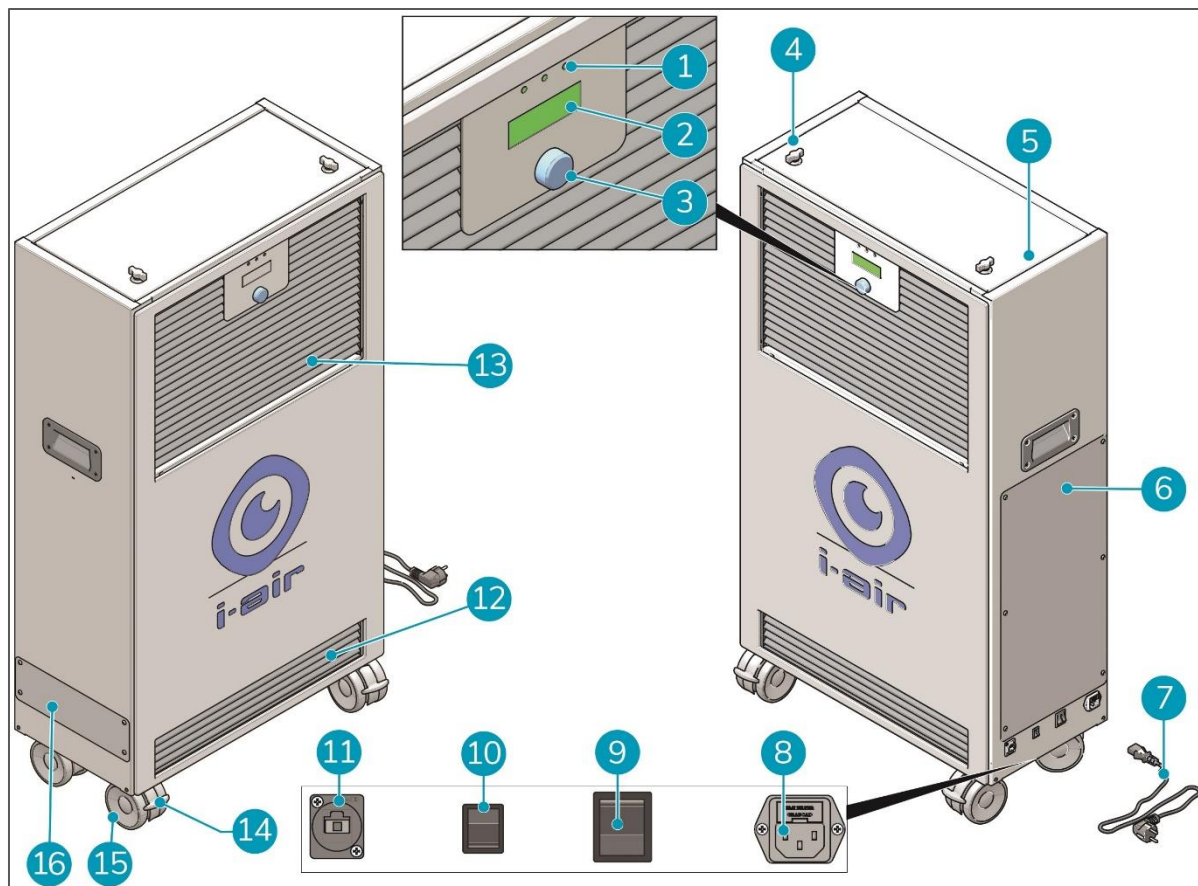


Figure 3

1. LED indicators.
2. Display.
3. Operation knob.
4. Locking knobs of main HEPA filter compartment lid.
5. Main HEPA filter compartment. Attached to the inside of the compartment panel you will find a 2.5 Allen wrench, to be used for opening the panel of the pre-filter compartment.
6. Neutralization chamber panel. **(only to be accessed by qualified service provider)**.
7. Power cable.
8. Power cable socket.
9. Main power on/off switch.
10. Front logo lighting on/off switch.
11. RJ-45 ethernet connection socket.
12. Air inlets.
13. Air outlet.
14. Caster wheels brakes.
15. Caster wheels.
16. Pre-filter compartment.



## 2.1 Working principle

The polluted air enters the air inlets at the front and bottom of the unit (Figure 4, pos. 5).

The air passes through the custom designed carbon pre-filter (Figure 4, pos. 4). The carbon pre-filter filters out larger particles and heavy dust. The layers of activated carbon in the pre-filter provide basic absorption of volatile organic compounds.

The neutralization chamber (Figure 4, pos. 3) is equipped with complex and sophisticated technology (patented). A combination of UV light and other technologies, takes care of the volatile organic compounds and micro-biological contamination.

The decontaminated air finally passes through a high grade, custom made main HEPA (H14) filter (Figure 4, pos. 1). This filter ensures proper filtration of the smallest particles (even smaller than  $0,3\mu$ ). The clean air leaves the unit through the air outlet (Figure 4, pos. 6) on the front of the i-air Pro unit.

The i-air Pro is equipped with:

- A 230V power supply unit;
- a powerful air fan;
- sensors for measuring the level of volatile organic particles in the outgoing air, the pressure drop on the main filter and the level of dust in the outgoing air;
- safety switches (so called kill switches) on the panels of main HEPA filter and pre-filter compartments;
- RJ-45 socket for ethernet connection (for trained user only).

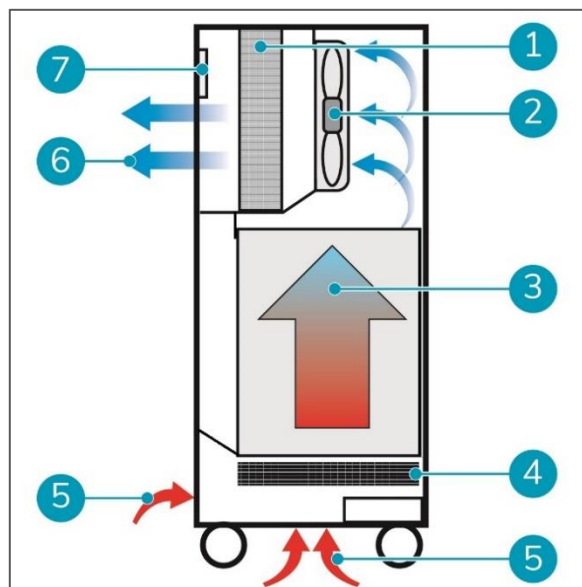


Figure 4

1. HEPA (H14) filter.
2. Fan.
3. Neutralizing chamber.
4. Carbon pre-filter.
5. Contaminated air inlets.
6. Healed air outlet.
7. Dust and VOC sensors.



### ATTENTION

It is advisable that the RJ-45 ethernet connection is used by IT advanced users only and/or by trained operators. Ask your i-air Pro authorized supplier for support in setting the web access to i-air Pro.



## 3 Safety

Safety comes first, therefore please take time to read and understand these safety instructions. Improper use can cause harm or void the manufacturer's warranty.

### 3.1 General safety instructions

The i-air Pro is an electrical appliance. Please read the safety instructions before use and take the necessary precautions to reduce the risk of fire, electric shock or injury.

- Never perform repairs yourself, always use the professional service of your i-air Pro supplier.
- Do not use i-air Pro when in alarm/error mode. Always consult your supplier before using it again, unless the problem is solved following our Trouble shooting guide on page 30.
- Always use the replacement filters recommended by your i-air Pro supplier.
- Always switch off and unplug the unit before replacing the carbon pre-filter and the main HEPA (H14) filter.
- Always follow the instructions in this user manual to ensure long and trouble-free use.

### 3.2 Machine orientation

Always place the i-air Pro in an upright position. Once correctly placed on location, always lock the brakes on the front caster wheels (Figure 5, pos. 1) when the i-air Pro is in operation. Push the red brake lever down to lock the brake, pull it up to unlock the brake.

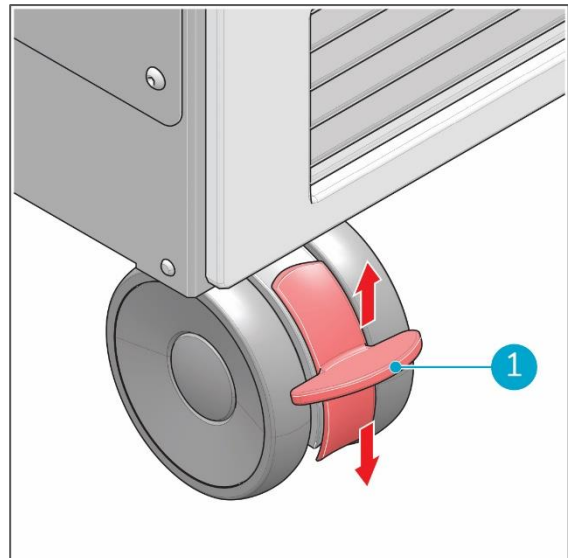


Figure 5



## 4 Transport and storage



### **CAUTION**

Always keep the body of the i-air Pro in an upright position when moving it.



## 5 Assembly and installation

The i-air Pro does not require assembly. The carbon pre-filter and main HEPA (H14) filter are pre-installed.



### CAUTION

The i-air Pro unit is heavy. Do not try to carry and/or move the unit by yourself. You should always use someone's help.

### 5.1 Unboxing

A newly delivered i-air Pro consists of these items:

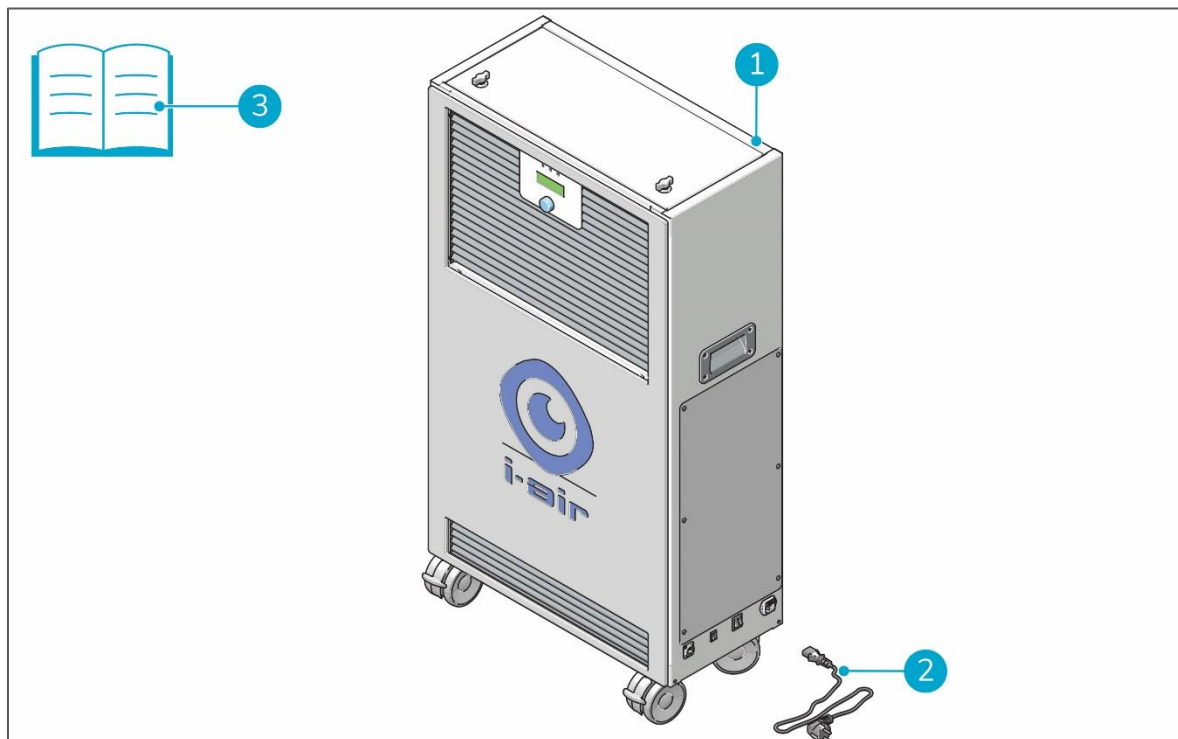


Figure 6

1. 1x i-air Pro unit
2. 1x power cable
3. 1x this user manual

We care about our environment! Therefore we use as little non-recyclable packaging materials as possible. Your i-air Pro is protected in the packaging box by honeycomb paper board. After unpacking the unit, dispose of the packaging box and honeycomb paper boards into a paper marked waste bin. Dispose of the plastic bag into a plastic marked waste bin.



### 5.1.1 Unboxing your i-air Pro

1. Always keep the box in the upright position, according to the labelling on the box.
2. Open the front box flaps (Figure 7, pos. 2 and 6).
  - Inside you will see the honeycomb paper boards protecting your i-air Pro.
3. Remove the front honeycomb paper board.
  - You will see your i-air Pro as shown in Figure 7.
4. Remove the left and right honeycomb paper boards (Figure 7, pos. 3 and 7).
5. Remove the double honeycomb paper board from underneath your i-air Pro (Figure 7, pos. 4).
6. Unlock the caster wheels (Figure 7, pos. 5) and pull your i-air Pro out of the box.
7. Remove the honeycomb paper board on top of your i-air Pro (Figure 7, pos. 1).
8. Remove the plastic bag from your i-air Pro. Your unit is unpacked and ready for use.
9. Check if the power cable and user manual are in the box. If not, immediately inform your supplier.
10. Now, when you plug the power cord into the i-air Pro and the power outlet, the unit will be ready to work.

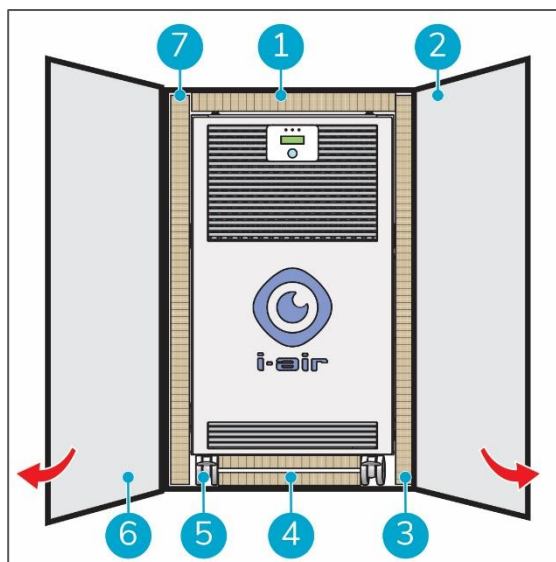


Figure 7

#### CAUTION



To avoid static discharge, it is advised to plug the power cable into the power socket of the i-air and then into the wall socket before removing the plastic bag from the machine.





## 6 Operation

### 6.1 Before you start

Carefully select the best location for the i-air Pro for the best purifying results. In an environment with heavy polluted air you may consider the use of more than one unit in the same room.

In general you should place the i-air Pro:

- as much in the middle of the room as possible;
- away from heat sources;
- away from humidity sources, like air humidifiers;
- on a solid and level surface;
- on a location where the i-air Pro and its power cable do not form an obstacle.

### 6.2 Main power on/off

1. Insert the power cable into the power cable socket of the i-air Pro and the power plug into the wall socket (Figure 8, pos. 1).
  - The main power switch is in off position, the red LED indicator in the switch is off.
2. Press the main power switch to turn on the power (Figure 8, pos. 2).
  - The red LED indicator in the switch is lit.
3. Press the main power switch (Figure 8, pos. 2) again to turn off the power.
  - The red LED indicator on the main power switch is off.

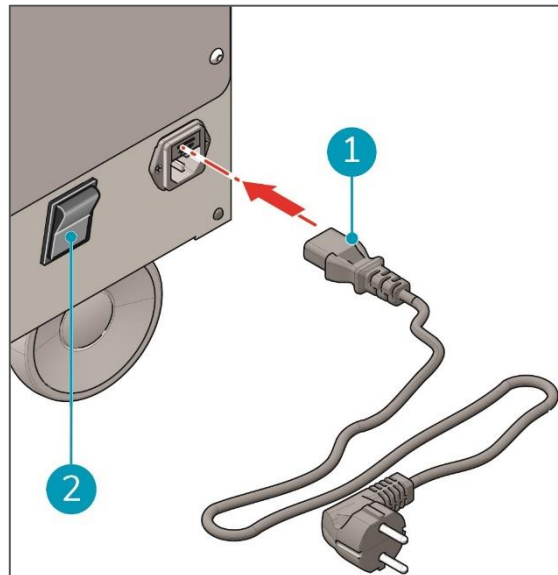


Figure 8

### 6.3 Front logo lighting on/off

The front logo of the i-air Pro® can be lit with stylish blue backlighting. This front logo lighting can be switched on or off as wished.

1. Press the front logo lighting switch to turn on the front logo lighting (Figure 9, pos. 1).
  2. Press the front logo lighting switch again to turn off the front logo lighting (Figure 9, pos. 1).
- NOTE:** The front logo will always be lit when you turn on your i-air Pro.

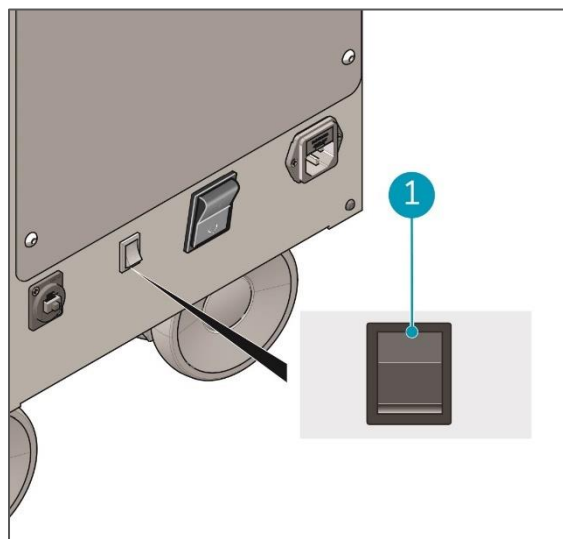


Figure 9



## 6.4 Control panel

The control panel on the front lets you adjust the various operational settings and check information on lamp lifetime, sensor values and possible errors that occurred.



### ATTENTION

After you turn on your i-air Pro unit and before you start operations, always set your date and time. See Settings menu on page 23.

The control panel consists of:

- LED indicators (Figure 10, pos. 1, 2 and 3);
- display (Figure 10, pos. 4);
- operating knob (Figure 10, pos. 5).

With the operating knob you have access to the:

- fan menu;
- schedule menu;
- sensors menu
- lamps menu;
- settings menu;
- status menu.

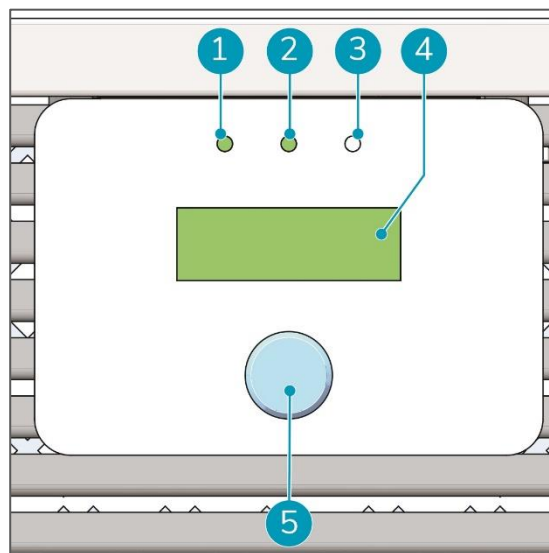


Figure 10

### 6.4.1 Using the control panel

11. Press the main power switch to turn on the power (Figure 8, pos. 2).
  - The red LED indicator on the main power switch is lit.
  - The left green LED indicator (Figure 10, pos. 1) on the control panel is lit.
12. Press the operating knob (Figure 10, pos. 5) to activate the display.
  - The center green LED indicator (Figure 10, pos. 2) on the control panel is lit. This indicates that the i-air Pro is in operations mode.
13. Rotate the operating knob to scroll through the menu and **select** an item.
14. Press the operating knob to **confirm** your selection.



### WARNING

When an error occurs, the i-air Pro sounds an alarm and the red LED indicator (Figure 10, pos. 3) on the right side of the control panel is lit. Check 6.4.7 Status menu on page 24 for information on the error that occurred. Check Troubleshooting on page 30 to find a solution. Please contact your local i-team resell and support service partner when you cannot solve the problem.



## 6.4.2 Fan menu

Menu structure:

- Fan menu
  - Fan level
    - Off
    - Low
    - Medium
    - High
    - Max
  - Fan mode
    - Manual
    - Automatic
  - <Back

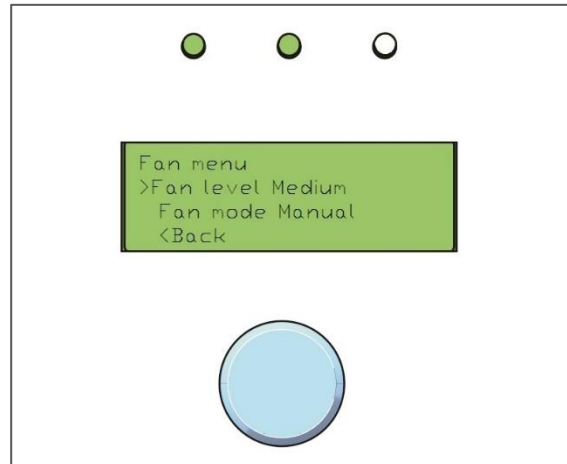


Figure 11

### 6.4.2.1 Fan level

Select the fan speed. If the device works in automatic mode, the new speed will be active until the next scheduled hour.

Fan speed selection depends on a few factors. The main factor is the contamination level and room size of the room in which the i-air Pro is used. The bigger the room and the higher the contamination level, the higher the fan speed should be set. Always consider the comfort of room occupants. A higher fan speed results in a higher noise level.

Whenever it is possible, run your i-air Pro on a Low or Medium mode during the working hours. With high contamination level (which is usually higher during the night time) you may switch i-air Pro to High or Max mode for the night.

### 6.4.2.2 Fan mode

Select the operating mode Manual or Automatic.

In manual mode, the fan operates at the speed set in the Fan level menu.

In automatic mode, the fan speed is set according to the scheduled level. See 6.4.3 Schedule menu on page 20.



### 6.4.3 Schedule menu

Menu structure:

- Schedule
  - Day: Monday
  - 00-12 OOOOOOOOOOOO
  - 12-24 OOOOOOOOOOOO
  - Reset
  - <Back

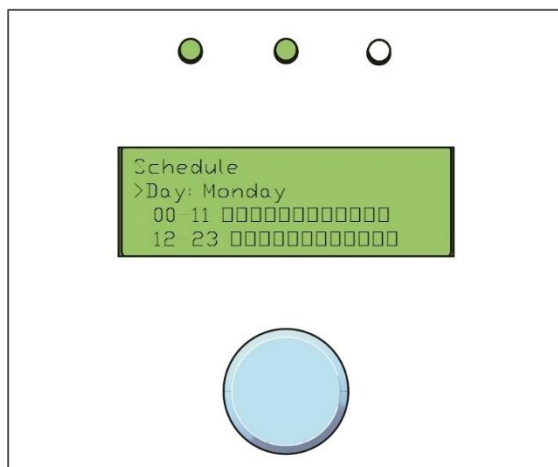


Figure 12

#### 6.4.3.1 Schedule

This menu allows you to configure the automatic schedule for fan operation. To make use of this Schedule menu the i-air Pro Fan mode has to be set to Automatic, see 6.4.2 Fan menu on page 19.

In automatic mode, you have to define the working sequence for each day and every hour in each day. The menu item 00-12 OOOOOOOOOOOO allows you to plan for every hour between 00 (midnight) to 12 (noon). The menu item 12-24 OOOOOOOOOOOO allows you to plan for every hour between 12 (noon) to 24 (midnight).

1. Select and confirm the day of the week you want to program.
2. Select and confirm 00-11 OOOOOOOOOOOO.
3. Select and confirm the first hour ( O ).
4. Select and confirm the Fan level: F (=Max) H (=High) M(=Medium) L(=Low) O (Off).
5. Select and confirm the next hour ( O ) and repeat step 4.
6. Select and confirm 12-24 OOOOOOOOOOOO.
7. Repeat steps 3 to 5 for every hour (.O.).

The Reset option resets all fields to O.

Examples:

- Day: Monday
- 00-12 HHHHHHHHHHHH
- 12-24 MMMMMMMMMMMM

Your i-air Pro will work on Mondays on HIGH Fan level between 00 and 12 hrs. and on MEDIUM Fan level between 12 and 24 hrs.

- Day: Monday
- 00-12 HHHHHHHMMMMM
- 12-24 MMMMMMMHHHHH

Your i-air Pro will work on Mondays on HIGH Fan level between 00 and 07 hrs., on MEDIUM Fan level between 07 and 19hrs and on HIGH Fan level again between 19 and 24 hrs.



## 6.4.4 Sensors menu

Menu structure:

- Sensors
  - VOC
    - TVOC 0ppb
    - <Back
  - <Dust
    - Dust 0 ug/m<sup>3</sup>
    - <Back

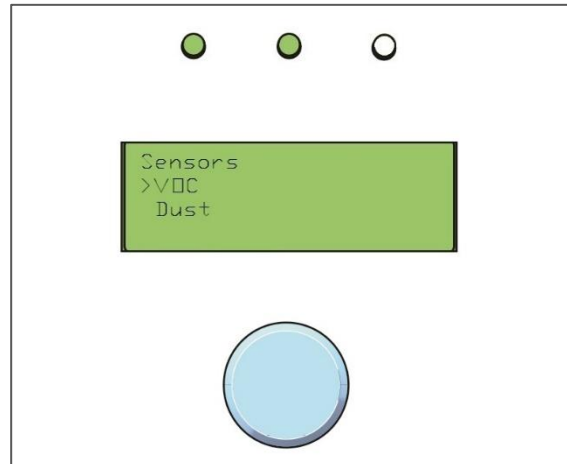


Figure 13

### 6.4.4.1 Sensors

In this menu you can read the data from the two sensors.

- VOC (volatile organic compound): the level of TVOC ppb (total volatile organic compound - parts per billion). There is no safe level of VOC's in the air. From country to country there is a different advisable "safe level" of TVOC in the air. A level below 330ppb is in general regarded as acceptable.
- Dust: dust level in the outgoing air ( $\mu\text{g}/\text{m}^3$  is equal to parts per million). Micrograms per  $\text{m}^3$  is what is called ppm. What is considered a safe level of dust in the air varies from country to country. A level below 15ppm of PM<sub>2,5</sub> may be regarded as a safe level.
- Your i-air Pro is equipped with precise pressure sensors dedicated to determine the time when the main HEPA (H14) filter needs to be replaced. There is no need to check this. All settings are default. When pressure sensors detect the pressure drop that occurs when the main HEPA (H14) filter needs to be replaced, the i-air Pro sounds an alarm and an error message is visible. More information on this you will find in the List of Status messages on page 24.



## 6.4.5 Lamps menu

Menu structure:

- Lamps
  - Lamp on time
    - Lamp 1 12hrs
    - Lamp 2 12hrs
    - <Back
  - <Back

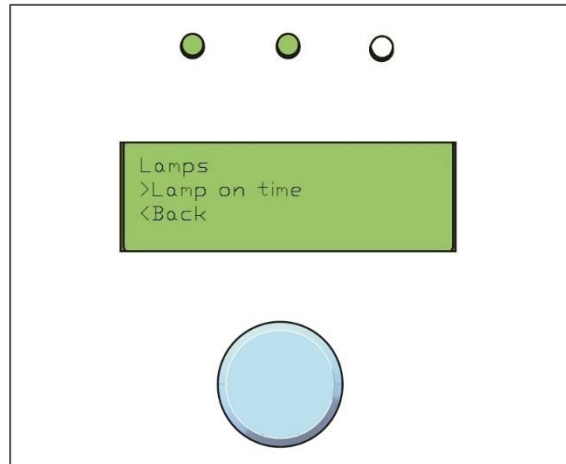


Figure 14

### 6.4.5.1 Lamps

Displays the cumulative operating time of the UV-lamps in the neutralization chamber.

The i-air Pro is designed to deliver the best results in neutralization with UV lamps lifespan of 9,000 hours. So you don't have to worry about it for a long time.



#### **CAUTION**

Never replace the lamps by yourself. Lamp replacement must be performed by an authorized i-team service provider.



## 6.4.6 Settings menu

Menu structure:

- Settings
  - Date and time
    - Time
    - 21: 9
    - Date
    - 2018 / 8 / 27
    - <Back
  - Ethernet

*Ask your i-air Pro supplier for support in setting up ethernet connection.*

*Via ethernet you will be able to check the sensors' status on your computer screen.*

*Or you may set up the automatic working mode of your i-air Pro.*

*Navigation throughout the web menu is designed for use by advanced users only.*

- <Back

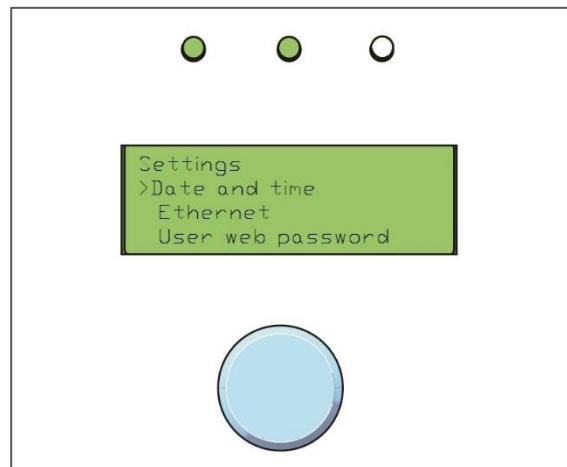


Figure 15

### 6.4.6.1 Settings

The settings menu contains a variety of data mainly to be used by the service technician. Some i-air Pro users may want to use these advanced options. It is advisable though that your i-air Pro supplier sets all parameters in order to avoid mistakes.



## 6.4.7 Status menu

Menu structure:

- Status
  - Fan stalled: no
  - Fan locked: no
  - VOC sensor: OK
  - Pressure sensor: OK
  - TVOC alarm: no
  - pressure alarm: no
  - dust alarm: no
  - RTC status: OK
  - <Back
- <Quit

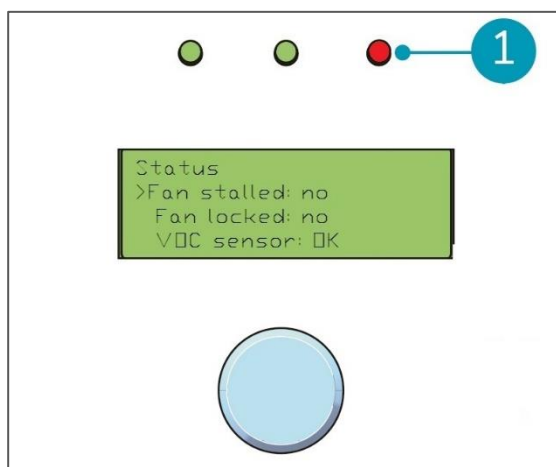


Figure 16

**NOTE:** When the LED indicator on the right side (Figure 16, pos. 1) lights red an error in the system has occurred. Go to the Status menu to determine the nature of the error.

### 6.4.7.1 Status

When an error occurs, the i-air Pro sounds an alarm and the red LED indicator (on the right side of the control panel) is lit. Check the Status menu for information on the errors that occurred

### 6.4.7.2 List of Status messages

- Fan stalled: No – main fan is not blocked, it works fine. Error – you need service support, in some cases over the phone support will do.
- Fan locked: NO – main unit operations are fine, no problem. Error – the main fan is locked by the system, for example when filters has to be changed.
- VOC sensor: OK – sensor fully operational, visible for the system, Error sensor damaged – requires service support.
- Pressure sensor: OK – sensor fully operational, visible for the system, Error sensor damaged – requires service support.
- TVOC alarm: Default setting – Alarm is turned off, your service partner may turn it on and set the minimum VOC level when the alarm goes off.
- Pressure alarm: Default setting – Alarm is turned off, your service partner may turn it on and set the minimum Pressure level when the alarm goes off.
- Dust alarm: Default setting – Alarm is turned off, your service partner may turn it on and set the minimum Dust level when the alarm goes off.
- RTC status: Real Time Clock, works with Automatic mode. When Error – new time setting is required.





## 7 Maintenance

### 7.1 Replace the carbon pre-filter



#### WARNING

- Always switch off and unplug the unit before replacing the carbon pre-filter filter.
- Always use the replacement filters recommended by your i-air Pro supplier.

1. Unscrew the Allen screws (4x - Figure 17, pos.4) of the pre-filter compartment panel (Figure 17, pos. 3) with the provided 2.5mm Allen wrench (Figure 17, pos.1)

**NOTE:** The Allen wrench is attached to the inside of the main HEPA filter compartment panel).

2. Remove the compartment panel (Figure 17, pos.3).

**NOTE:** There is a ground wire (Figure 17, pos. 2 ) connecting the compartment panel and the main i-air Pro unit. **DO NOT** disconnect it from the main i-air Pro unit.

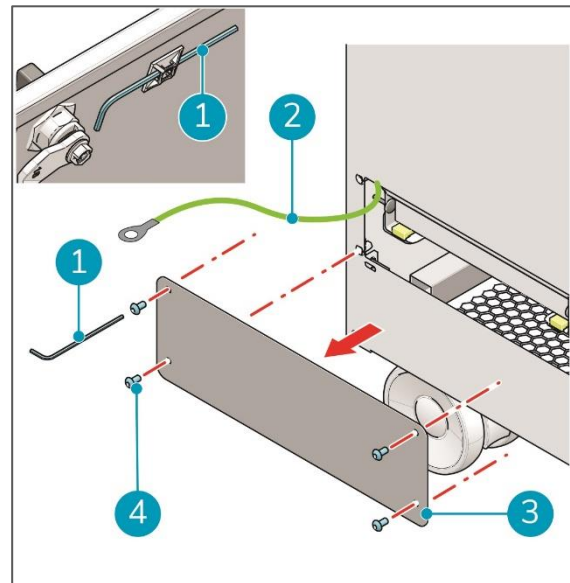


Figure 17

3. Pull the filter lock (Figure 18, pos. 1) forward and push it down.
4. Take the carbon pre-filter by the handle on the front of the filter (Figure 18, pos. 2) and carefully pull it out of the compartment.
5. Put the old filter in the plastic bag supplied with the new filter.
6. Seal the plastic bag and follow the instruction on the bag for disposal.

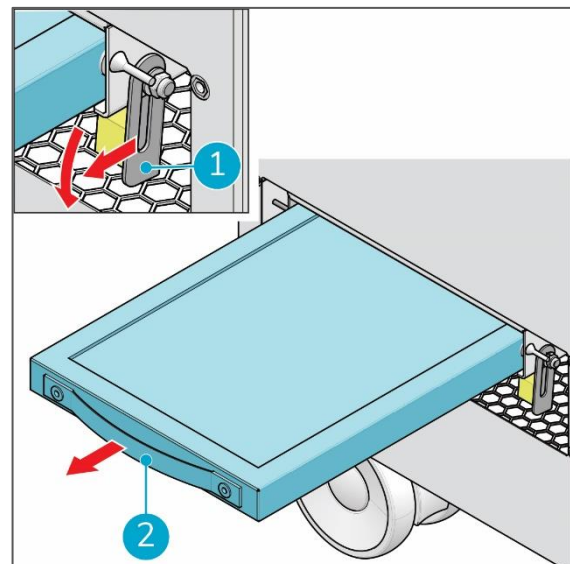


Figure 18



7. Carefully slide the new filter (Figure 19, pos. 1) into the compartment.
8. Pull the filter lock (Figure 19, pos. 2) upward and push it forward into the compartment to lock the filter.
9. Place the compartment panel and tighten the Allen screws (4x).
10. **NOTE:** Make sure that the ground wire (Figure 17, pos. 2) is always connected to the compartment panel. If needed attach again.

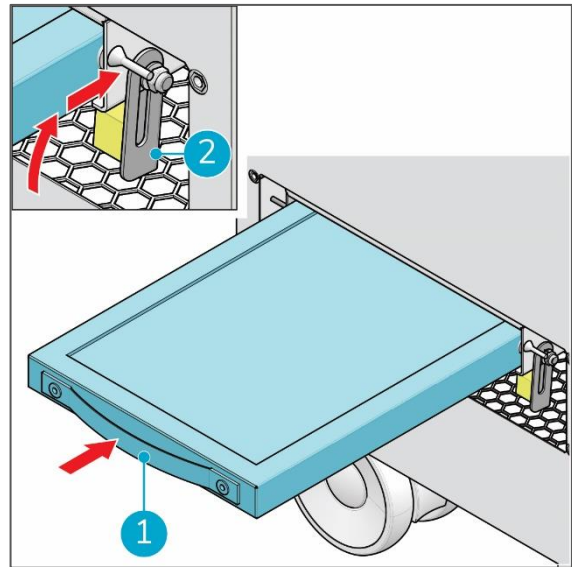


Figure 19



### ATTENTION

The carbon pre-filter collects heavy dirt and keeps it away from the i-air's neutralization and clean compartments. When the i-air's air inlets (front and bottom) are very dirty, it is advisable to change the carbon pre-filter sooner (for example every six months) than the main HEPA (H14) filter.



## 7.2 Replace the main HEPA (H14) filter



### WARNING

- Always switch off and unplug the unit before replacing the main HEPA (H14) filter.
- Always use the replacement filters recommended by your i-air Pro supplier.

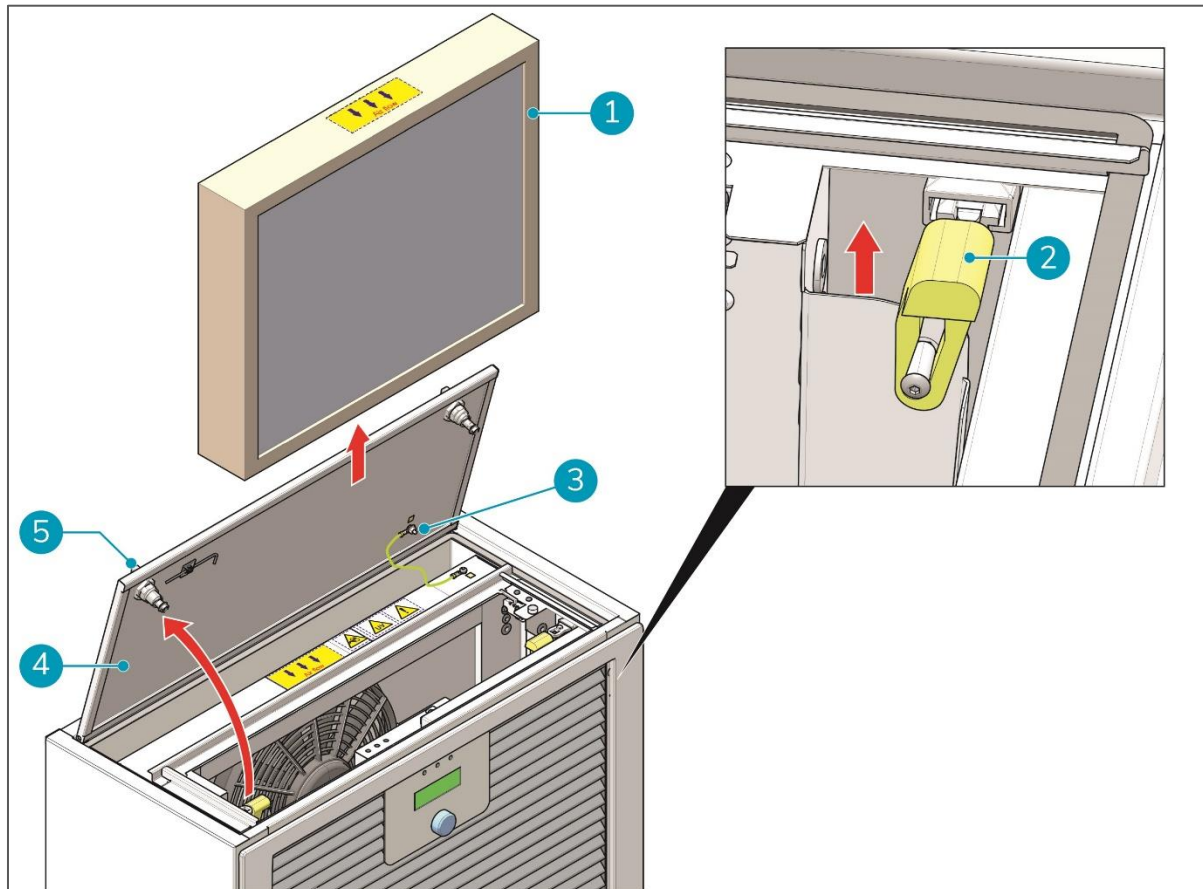


Figure 20



### CAUTION

Handle the filter with extreme care.  
Once the filter is damaged its filtration capabilities are limited.  
Make sure you don't damage or touch:

- the filtration material;
- the gasket on the filter frame.

1. Turn the two knobs (Figure 20, pos. 5) on the main HEPA filter compartment panel (Figure 20, pos. 4) counter clockwise until the panel is loose.
2. Open the compartment panel.  
**NOTE:** There is a ground wire (Figure 20, pos. 3) connecting the compartment panel and the main i-air Pro unit. **DO NOT** disconnect it.
3. Pull up the two yellow locking levers (Figure 20, pos. 2) to release the filter.
4. Carefully pull out the filter (Figure 20, pos. 1) from the compartment.
5. Put the old filter in the plastic bag supplied with new filter.
6. Seal the plastic bag and follow the instruction on the bag for disposal.

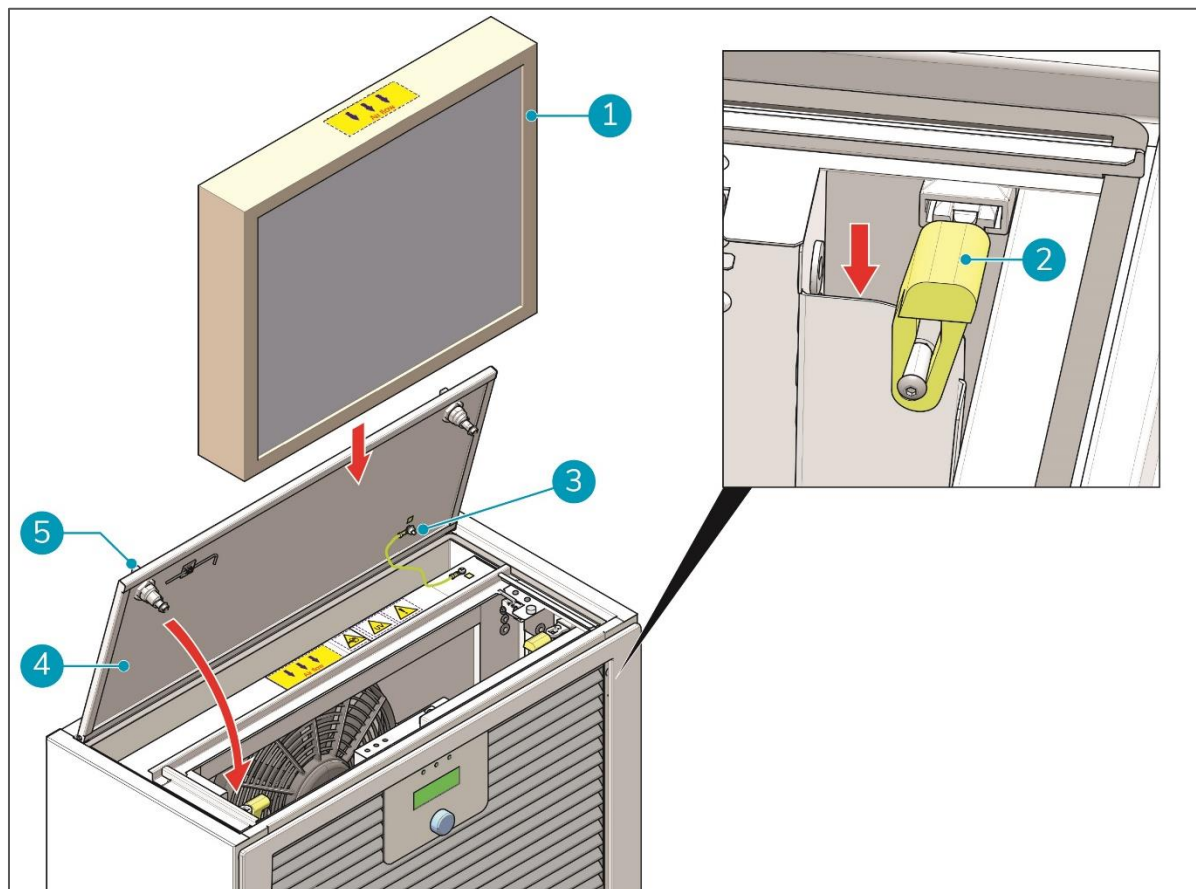


Figure 21

7. Carefully place the new filter into the compartment (Figure 21, pos. 1).  
Make sure that:
  - the arrows on top of the filter are visible;
  - the arrows point in the direction of the outlet airflow;
  - you handle the filter with great care to avoid any damage to the gasket on the filter.  
The side of the filter with the gasket **MUST** be directed towards the fan.
8. Push down the two yellow locking levers (Figure 21, pos. 2) to lock the filter.
9. Close the compartment panel (Figure 21, pos.4).
10. Turn the two knobs on the compartment panel (Figure 21, pos. 5) clockwise until the panel is locked.

### 7.3 Recommended additional cleaning

Keep the unit clean by wiping it with a dry cloth. Do not use any liquids to clean the i-air Pro. Occasionally clean the air inlets (front and bottom) with a vacuum cleaner and/or a dusting brush. Always disconnect and unplug the i-air Pro before cleaning it. Cleaning the inside of the i-air Pro is not necessary. All main components are not accessible and are self-cleaning.

### 7.4 Ordering replacement filters

Always order your replacement filters using suppliers article codes.  
For distributor address and contact data: see page 2.



## 7.5 Service interval UV-lamps

The i-air Pro is equipped with UV-A and UV-C lamps. The radiation of these lamps is crucial for proper functioning of the FS-ACT® technology. The UV-A and UV-C lamps have a limited life span. i-air Pro software measures the operating time of each lamp in the neutralization chamber. The total operating time is the indicator of the necessity of lamp replacement for service technicians only.

The i-air Pro is designed for trouble-free and low maintenance functioning for about 9,000 hours.



## 8 Trouble shooting

Your i-air Pro is designed to work maintenance free for a long time. Of course, as in every technical unit, a problem may occur. Here are some hints on how to find a solution. If this doesn't solve your problem or if your problem is not listed, contact your nearest i-air Pro service point.

<b>Problem</b>	<b>Cause</b>	<b>Solution</b>
Turn on / turn off is not possible	Power cable not connected	Connect power cable
	Main power switch is turned off	Turn on main power switch
	Power cable is damaged	Replace the power cable
	Power source not functioning	Use another socket
Main power switch red indicator light is lit, green LED indicator on control panel is lit, but fan doesn't work	Panel(s) of filter compartment(s) are not properly closed	Close the panel(s) and make sure they are locked
	Fan level is not selected	In the Fan menu > Fan level select a Fan level (Low, Medium, High, Max)
	An error has occurred	Check the error codes in the Status menu and follow the instructions as stated in 6.4.7 Status menu
The i-air Pro sounds an alarm and the red LED indicator on the right side of the control panel is lit	Panel(s) of filter compartment(s) are not properly closed	Close the panel(s) and make sure they are locked
	The i-air Pro may need a system reset	Turn your i-air Pro off and turn it back on again
The i-air Pro doesn't clean the air good/fast enough	The selected Fan level is not correct	In the Fan menu > Fan level select a higher Fan level, for example from Low to Medium or High
	The air inlets in the front and at the bottom are polluted	Clean the air inlets
	The filters are polluted and need replacement	Check the Status menu and, if necessary, replace the filters
While in operation the i-air Pro sounds too loud	The air inlets in the front and at the bottom are polluted	Clean the air inlets
	The i-air Pro operates on a higher Fan level than needed	In the Fan menu > Fan level select a lower Fan level, for example from High to Medium or Low
	An error has occurred	Check the error codes in the Status menu and follow the instructions as stated in 6.4.7 Status menu



## 9 Decommissioning and disposal



### ATTENTION

It is the responsibility of the i-air Pro owner to dispose of the product responsibly.

At the end-of-life the i-air Pro still contains valuable resources and needs to be disposed of according to your local laws and regulations regarding recycling of electrical equipment.



Before disposal please:

1. Remove the carbon pre-filter and main HEPA (H14) filter.
2. Dispose of all items according to your local laws and regulations.



## 10 Attachments

### 10.1 Technical specifications

<b>General specifications</b>	
Power requirements	230V 50/60Hz
Energy consumption, 4 fan speeds	LOW 370W, MEDIUM 400W, HIGH 430W, MAX 470W
Dimensions (without/with packaging)	1273x684x334/1328x794x444 mm
Weight (without/with packaging)	75/86 kg
Fan motor	AC 230V, long lifespan, non-stop use OK
Control panel	20 character, 4-line LCD display encoder
Air output (Low-Max)	200-600m <sup>3</sup> /h
Housing material	Metal
Color of main housing/locking arms	RAL9003/RAL7016
Noise level, 4 fan speeds	LOW 35dB, MEDIUM 55dB, HIGH 58dB, MAX 61dB

<b>Performance</b>	
EN 1822 filter classification	HEPA H14 ≥99,999%
Main HEPA filter life	H14 - average up to 24 months, with 24/7 operation, pressure sensor will indicate when filter needs replacement
PM particle filtration at ≥0,3μ (H14)	≥99,999%
VOC reduction (TVOC)	≥95-97%
Microbiological contamination reduction level	≥99,9%
Output air quality, Merv standard	Merv 19

<b>Other features</b>	
Recommended room size	250-500m <sup>2</sup> , depending on air contamination level
Max room size	Up to 500m <sup>2</sup>
Neutralization chamber	Self-cleaning, long life, maintenance free for up to 9000 hours of lamp life
Display languages	English
Fan speed settings	4
Control via local LAN	Yes, dedicated website
UV lamps life status	Real time control
Working modes	Manual/Automatic
Dust level, output air	Yes, LCD display
VOC level, output air	Yes, LCD display
Electrical safety	CE, EMC certification





## 10.2 CE certificate



**EG/EC**  
KONFORMITÄTSERKLÄRUNG  
DECLARATION OF CONFORMITY

Wir:

We: Future Cleaning Technologies B.V., Hoppenkuil 27b, 5626 DD Eindhoven, Netherlands

Erklären in alleiniger Verantwortung, das das Produkt: Luftfilter- und Reinigungssystem  
Declare under our sole responsibility that the product: Air filtration and cleaning system

I-AIR

(Art der Maschine / Type of machine)

i-air L und folgende / and following

(Modell – Seriennummer, Baujahr / Model – serial number, year of production)

auf das sich diese Erklärung bezieht, mit den folgenden Normen übereinstimmt,  
to which this declaration relates is in conformity with the following standards,

**EN 55014-1:2006 Household appliances and similar**  
**EN55014-2:1997 + A1:2001 Category II**  
**IEC 61000-4-2:199 +A1:1998 + A2:2000 , IEC 61000-4-4:2004, IEC 61000-4-5:2005, IEC**  
**61000-4-6:2003 + A1:2004 + A2:2006, IEC 61000-4-11:2004, EN 61000-3-2:2006, EN**  
**6100-3-3:2008**

(Titel und/oder Nummer sowie Aufgabedatum der Norm(en) oder der anderen normativen Dokument(e)  
(Title and/or number and data of issue of the standard(s) or other normative document(s))

gemäss die Bestimmungen der Richtlinien:  
follow the provision of directives: 2004/108/EC

Eindhoven, 29.01.2020

Frank van de Ven  
Director

(Ort und Datum der Ausstellung)

(Place and Datae of issue)

(Name und Unterschrift oder gleichwertige  
Kenzeichnung des Befugten)  
(name and signature or equivalent marking or  
authorized person)